



PARTS EXPRESS



VISIT
PECOCARWASH.COM
FOR MORE CARWASH PARTS & SUPPLIES



CAR WASH PARTS & SUPPLIES
SEE PAGES 5-62



PECO REPLACEMENT PARTS LISTS
SEE PAGES 63-99



CAR WASH SYSTEMS
SEE PAGES 100-102



CAR WASH EQUIPMENT
SEE PAGES 103-123

800-448-3946 **WWW.PECOCARWASH.COM**

CAR WASH CATALOG



A WORLD LEADING MANUFACTURER!

PECO Car Wash Systems manufactures a comprehensive line of conveyORIZED car wash equipment. Coupled with a unique product line, PECO utilizes a hybrid method for vehicle cleaning. The PECO hybrid wash system cleans with the combination of soft cloth and high pressure providing an overall effectiveness not obtainable with any other car wash system. Founded in 1966, PECO utilizes their service oriented background and high demand for quality items to provide the car wash industry with excellence. With over 40 years of experience and a worldwide dealer network, PECO has gained the reputation around the world for providing high quality systems at a competitive price.

WITH PECO YOU CAN EXPECT CLEAN!

PECO stands alone in the industry with over 40 years of carwash experience. Our carwash systems have been designed from the ground up to provide superior cleaning power and long lasting performance. Our engineers are continuously developing innovative carwash systems and components for the carwash industry. As a result, PECO offers the largest selection of premium carwash systems in the world. From 25 foot drive thru systems to expansive 150 foot hybrid systems, PECO delivers carwash solutions for any environment. PECO can custom fit a wash for your location.

PARTS EXPRESS

PECO supports its equipment with a complete line of replacement parts, which are on the shelf for immediate delivery. Your parts order is processed the day it is received and shipped as you require – even over night if necessary! The PECO website is designed to let you order parts at your convenience. All website orders are given the same top priority as those called into our customer service department.

OUR MISSION

PECO Car Wash Systems' uncompromising commitment to providing quality and innovative car wash equipment will continue to be driven by our team, associates and customers.

PECO Car Wash Systems has been a member of the car washing industry for OVER 40 years. We are a pillar for which new investors and seasoned professionals lean on for guidance, information and the best equipment in the industry. The PECO product line has evolved from the applicator arch and light bar to one that encompasses leading edge technology in carwash design and construction. Our innovations have set the industry benchmark for quality and reliability. We continue to evolve and develop carwash systems that surpass customer expectations while meeting the needs of our changing industry.

From our humble beginnings as an equipment distributor to an icon for the carwash industry, PECO remains committed to bringing you the highest quality equipment at the best possible price. Our relentless pursuit of your satisfaction makes PECO the best choice as your carwash equipment partner.

JR Rietsch
President



Standard Car Wash
PART & SUPPLIES

- Air Accessories Page 5
- Bearings-Bushings-Collars Pages 6-7
- Belts-Sheaves-Taper Locks Page 8
- Clamping Accessories & PlasticTies Page 9
- Cloth-Foam-Bristle Pages 10-19
- Conveyor Parts Pages 20-31
- Correlator Parts Page 32
- Couplings-Flanges & Sleeves Pages 32-33
- Cylinders & Accessories Page 34
- Electric Accessories Pages 35-41
- Electric Motors Page 42
- Fasteners-Nuts & Bolts Pages 43-44
- Fittings Pages 44-45
- Fluids & Oils Page 46
- Hose & Plastic Tubing Page 47
- Hydraulic Accessories Pages 48-49
- Merchandise for Resale Pages 50-51
- Nozzles & Accessories Pages 52-53
- Pumps Pages 54-55
- Repair Kits Pages 56-57
- Shafts Page 58
- Shocks & Stabilizers Page 58
- Vacuum Accessories Page 59
- Valves-Injectors-Regulators Pages 60-61

PECO Equipment
REPLACEMENT PART LISTS

- Ult. Conveyor 2000-7 Entrance Pages 64-65
- Ult. TUF Conveyor Entrance Pages 66-67
- Ult. Conveyor Exit Section Pages 68-69
- Ultimate Conveyor Center Section Page 70
- Entrance and Exit Trap Doors Page 71
- PECO Conveyor Rollers Pages 72-75
- Side Washers Pages 76-79
- Tire Washer Pages 80-81
- Wraparound PE372 Pages 82-83
- Wash Along Curtain MC06 Pages 84-85
- Mitter Wrap Combo MWC2412 Pages 86-91
- Dryers Pages 92-95
- Hydraulic Supply System Pages 96-97
- Wanner Pumping Stations Pages 98-99

Car Wash
SYSTEMS

- Cloth Systems Page 100
- Fleet Wash Express Systems Page 100
- Hybrid Systems Page 101
- Touch-Free Systems Page 102

Car Wash
EQUIPMENT

- Conveyor & Correlator Pages 104-105
- Tire & Wheel Cleaning Pages 106-107
- Arches & Applicators Page 108
- Top Cleaning Page 109
- Side Cleaning Pages 110-111
- Front & Rear Cleaning Pages 112
- Cleaning Combo's Page 113
- High Pressure Cleaning Pages 114-115
- Dryers Pages 116-117
- Pumps Pages 118
- Hydraulic Supply Systems Page 119
- Signs Page 120

Standard Car Wash
PARTS & SUPPLIES

PECO Equipment
REPLACEMENT PARTS

Car Wash
SYSTEMS

Car Wash
EQUIPMENT

Index



4-Great Ways to...Place a Parts Order with PECO!

- **PHONE YOUR LOCAL PECO DEALER**
- **PLACE YOUR ORDER ON-LINE**
- **FAX YOUR ORDER TO PECO CAR WASH SYSTEMS**
- **PHONE PECO CAR WASH SYSTEMS**

PHONE YOUR LOCAL PECO DEALER

PECO works with local car wash professionals that can support you with knowledge, local parts inventory and on-site repair. Call your PECO Dealer to set up an account or appointment. You can find a PECO Dealer in your area by visiting www.pecocarwash.com and clicking on the Dealer Locator button.

On-Line Order www.pecocarwash.com

- **Order On-Line: 24 Hours a day, 7 Days a Week, 365 Days a Year**
 - Once on line you can access PECO's full inventory of parts.
 - You can find your part sorting by:
 - Part Number
 - Description
 - Category
 - Manufacturer Name
 - Manufacturer Part Number

FAX YOUR ORDER TO PECO CAR WASH SYSTEMS **1-248-299-9001**

- Fax PECO Car Wash Systems Part's Department at 248-299-9001.
- You can Find an order form at the back of this part booklet
- Be sure to have your:
 - Customer Code
 - Business Name, Contact Name
 - E-Mail Address, Phone Number
 - Purchase Order Number
 - PECO Part Number, Quantity
 - Shipping Method
 - Payment Information

PHONE PECO CAR WASH SYSTEMS **1-800-448-3946**

- Call PECO Car Wash Systems Part's Depart. at 800-448-3946 or 248-299-5800.
- Our personnel will be happy to help you with your order.
- Service hours are: Monday-Friday 7:30am-5:00pm (Eastern Standard Time).
- Be sure to have your:
 - Customer Code
 - Business Name, Contact Name
 - E-Mail Address, Phone Number
 - Purchase Order Number
 - PECO Part Number, Quantity
 - Shipping Method, Payment Info.



029400

060905

029413

066563

021055

1/4" AIR CONTROLS

| Part No | Description | Price |
|---------|--|---------|
| 029400 | Regulator/Filter Combo-ARO, 1/4" NPT ... | \$41.50 |
| 029413 | Regulator, 1/4" NPT MINI | 16.95 |
| 061655 | Filter, 1/4" NPT Air w/Manual Drain MINI.... | 20.35 |
| 060905 | Lubricator, 1/4" NPT MINI | 41.50 |
| 021055 | Gauge, 1/8" NPT Back Mount 0-160 PSI Air..... | 5.00 |
| 066563 | Mounting Bracket-Norgren, 1/4" Air Regulator..... | 8.25 |



AIR-OVER-OIL RESERVOIR

| Part No | Description | Price |
|---------|--|---------|
| 021057 | Reservoir, Air/Oil (4" Dia. X 9") w/Metal Bowl..... | \$89.50 |



070290 Bottom Mount Gage

AIR GAUGES

| Part No | Description | Price |
|---------|---|--------|
| 070290 | Gauge, 1/4" NPT Bottom Mount 0-100 PSI Air..... | \$4.20 |
| 070291 | Gauge, 1/4" NPT Back Mount 0-200 PSI Air..... | 4.63 |
| 070293 | Gauge, 1/4" NPT Bottom Mount 0-200 PSI Glycerin..... | 12.15 |
| 021055 | Gauge, 1/8" NPT Back Mount 0-160 PSI Air..... | 5.00 |
| 070294 | Gauge, 1/8" NPT Back Mount 0-300PSI Glycerin..... | 12.70 |



029413



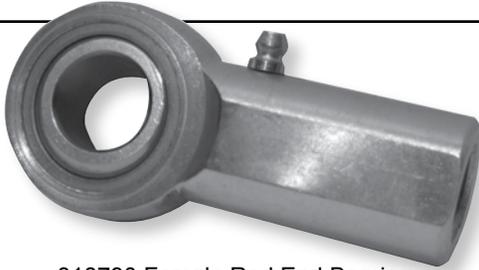
029413

1/2" AIR CONTROLS

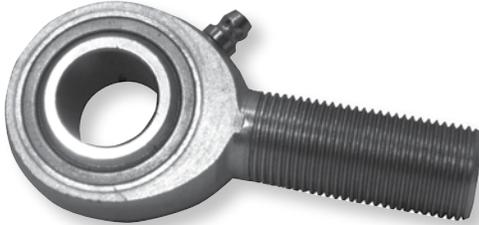
| Part No | Description | Price |
|---------|---|----------|
| 028086 | Regulator/Filter Combo-Norgren, 1/2"NPT w/Auto Drain | \$140.75 |
| 028087 | Lubricator, 1/2" NPT | 59.95 |
| 028089 | Mounting Bracket-Norgren, 1/2" NPT w/Auto Drain | 6.60 |

Air Accessories

Standard Car Wash
PARTS & SUPPLIESPECO Equipment
REPLACEMENT PARTSCar Wash
SYSTEMSCar Wash
EQUIPMENT



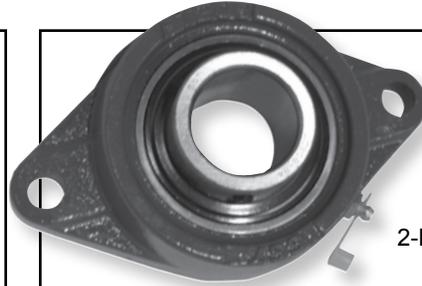
318790 Female Rod End Bearing



004413 Male Rod End Bearing

ROD END BEARINGS

| Part No | Description | Price |
|---------|-------------------------------------|--------|
| 115881 | BRG-Rod End-3/8", STD Female | \$9.75 |
| 010535 | BRG-Rod End-5/16", STD Female | 17.85 |
| 010538 | BRG-Rod End-1/2", STD Female | 15.95 |
| 004413 | BRG-Rod End-3/4", STD Male | 25.00 |
| 318790 | BRG-Rod End-3/4", STD Female | 28.15 |
| 326272 | BRG-Rod End-1", STD Female | 105.10 |



2-Bolt Flange Bearing

2-BOLT FLANGE BEARINGS

| Part No | Description | Price |
|---------|--|---------|
| 004411 | BRG-2Bolt-1",STD | \$17.95 |
| 010358 | BRG-2Bolt-1 1/2",STD | 28.95 |
| 010370 | BRG-2Bolt-1 1/2",STD Nickel Plated | 59.95 |
| 055099 | BRG-2Bolt-1 15/16",STD | 45.95 |



3-Bolt Flange Bearing

3-BOLT FLANGE BEARINGS

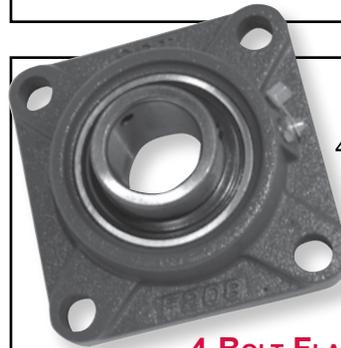
| Part No | Description | Price |
|---------|---------------------------------|---------|
| 010520 | BRG-3Bolt-5/8",STD | \$19.95 |
| 004415 | BRG-3Bolt-1",STD | 58.84 |
| 004416 | BRG-3Bolt-1 1/4",STD (206)..... | 26.95 |
| 004419 | BRG-3Bolt-1 1/4",STD (207)..... | 26.95 |

010505
Insert Bearing



INSERT BEARINGS

| Part No | Description | Price |
|---------|------------------------------------|---------|
| 010413 | BRG-Insert-1",STD (SL-16) | \$24.88 |
| 010496 | BRG-Insert-1",STD (ER-16)..... | 15.95 |
| 010505 | BRG-Insert-1 1/2",STD (ER-24)..... | 26.95 |
| 319285 | BRG-Insert-1 15/16",STD | 73.50 |



4-Bolt Flange Bearing

4-BOLT FLANGE BEARINGS

| Part No | Description | Price |
|---------|--|---------|
| 116954 | BRG-4Bolt-3/4",STD | \$25.50 |
| 010330 | BRG-4Bolt-1",STD | 14.50 |
| 196220 | BRG-4Bolt-1 3/8",STD | 39.10 |
| 010359 | BRG-4Bolt-1 1/2",STD | 28.95 |
| 010363 | BRG-4Bolt-1 1/2",MED | 34.16 |
| 010354 | BRG-4Bolt-1 1/2", STD Nickel Plated..... | 62.00 |
| 055161 | BRG-4Bolt-1 15/16",STD | 45.95 |
| 010375 | BRG-4Bolt-2 3/16",STD | 49.95 |



058040
Hanger Bearing

HANGER BEARINGS

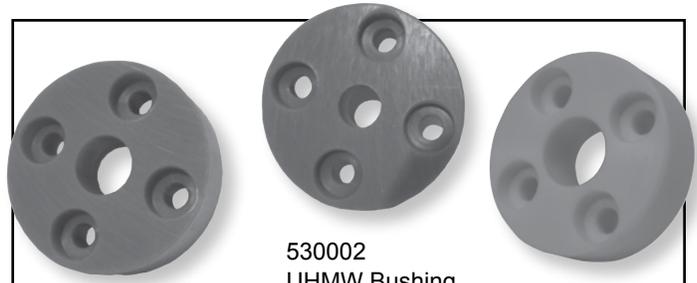
| Part No | Description | Price |
|---------|------------------------------|---------|
| 058040 | BRG-Hanger-1 1/4", STD | \$32.95 |

010357
Pillow Block
Bearing



PILLOW BLOCK BEARINGS

| Part No | Description | Price |
|---------|--|---------|
| 010397 | BRG-PB-3/4", STD | \$14.00 |
| 010406 | BRG-PB-7/8", STD | 16.18 |
| 010405 | BRG-PB-1", STD | 17.95 |
| 055203 | BRG-PB-1 3/16", STD | 34.50 |
| 010421 | BRG-PB-1 1/4", STD | 21.58 |
| 010357 | BRG-PB-1 1/2", STD | 28.95 |
| 010404 | BRG-PB-1 1/2", STD Nickel Plated | 35.95 |
| 010447 | BRG-PB-1 3/4", STD | 56.60 |
| 010360 | BRG-PB-2", STD | 40.00 |
| 116418 | BRG-PB-2 7/16", MED..... | 83.12 |



530001 UHMW Bushing Used on PECO Mitters
530002 UHMW Bushing Used on PECO Mitters & High Pressure
510244 UHMW Bushing Used on PECO Conveyors

UHMW BUSHINGS

| Part No | Description | Price |
|---------|--------------------------------------|--------|
| 530002 | BRG-Bush-3/4" UHMW..... | \$9.50 |
| 530001 | BRG-Bush-1" UHMW..... | 10.50 |
| 510244 | BRG-Bush-1 3/16" UHMW..... | 12.00 |
| 510254 | Bush-UHMW 7/8" ULT Slide Insert..... | 4.00 |



019761 Solid Set Collar
019765 2 Piece Set Collar

STAINLESS STEEL COLLARS

| Part No | Description | Price |
|---------|---|---------|
| 019763 | Set Collar-SS, 3/4" 2 piece | \$11.45 |
| 019762 | Set Collar-SS, 7/8" 2 piece w/set screw | 21.95 |
| 019750 | Set Collar-SS, 1" 2 piece | 16.57 |
| 019751 | Set Collar-SS, 1 1/16" 2 piece | 22.24 |
| 019753 | Set Collar-SS, 1 3/16" 2 piece | 16.96 |
| 019761 | Set Collar-SS, 1 1/2" Solid..... | 18.15 |

STEEL COLLARS

| | | |
|--------|---------------------------------------|--------|
| 300137 | Set Collar-STL, 5/8" 2 Solid | \$1.75 |
| 040216 | Set Collar-STL, 3/4" 2 piece | 6.81 |
| 268904 | Set Collar-STL, 1" Solid | 2.42 |
| 019766 | Set Collar-STL, 1" 2 piece | 5.48 |
| 040214 | Set Collar-STL, 1 1/8" 2 piece | 10.24 |
| 040215 | Set Collar-STL, 1 3/16" 2 piece | 8.78 |
| 019767 | Set Collar-STL, 1 3/8" Solid | 5.95 |
| 019765 | Set Collar-STL, 1 1/2" 2 piece | 15.00 |
| 019760 | Set Collar-STL, 1 1/2" Solid | 4.10 |
| 019769 | Set Collar-STL, 2" Solid..... | 11.50 |



058008
Taper Roller
Insert Bearing

TAPER ROLLER INSERT BEARINGS

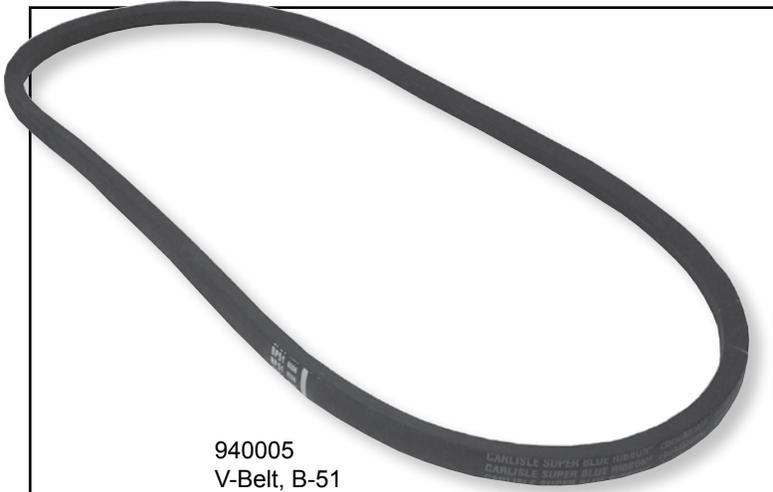
| Part No | Description | Price |
|---------|--|---------|
| 058008 | BRG-Insert-2", Taper Roller (18790)..... | \$19.50 |
| 058024 | BRG-Race, (18720)..... | 11.95 |
| 057992 | BRG-Insert-1 1/4", Taper Roller (67048) TW | 8.50 |
| 181396 | BRG-Race, (67019)..... | 23.73 |



119339

4 BOLT FLANGE PILOTED

| Part No | Description | Price |
|---------|-------------------------------------|---------|
| 119339 | BRG-4 Bolt-1 1/2" STD Piloted | \$96.10 |



940005
V-Belt, B-51

B-BELTS

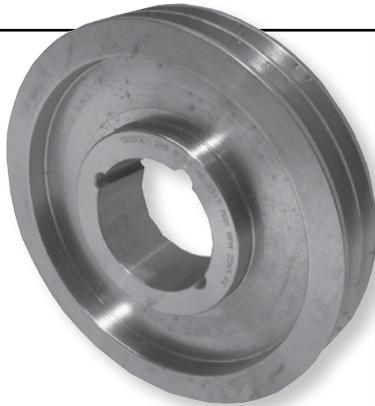
| Part No | Description | Price |
|---------|------------------|--------|
| 940001 | Belt, B-36 | \$6.24 |
| 940002 | Belt, B-44 | 10.95 |
| 940003 | Belt, B-46 | 11.81 |
| 940005 | Belt, B-51 | 12.30 |
| 940006 | Belt, B-53 | 16.69 |



510208
Taperlock-STL, 1-3/16"

TAPERLOCK

| Part No | Description | Price |
|---------|------------------------------------|---------|
| 510208 | Taperlock-STL, 1 3/16 (2012) | \$21.95 |
| 530109 | Taperlock-STL, 1 3/8 (2012) | 27.70 |
| 999063 | Taperlock-STL, 1 1/8 (1610) | 15.57 |
| 999064 | Taperlock-STL, 1 3/8 (1610) | 15.57 |
| 999065 | Taperlock-STL, 1 5/8 (1610) | 28.50 |
| 999066 | Taperlock-STL, 7/8 (2517) | 28.75 |
| 999067 | Taperlock-STL, 1 (2517) | 28.31 |
| 999069 | Taperlock-STL, 1 1/8 (2517) | 28.50 |
| 999022 | Taperlock-STL, 1 7/8 (2517) | 30.75 |
| 999024 | Taperlock-STL, 2 (2517) | 30.75 |



999058
Sheave, 9.4-2 GR (2571)

SHEAVES

| Part No | Description | Price |
|---------|---------------------------------|---------|
| 999068 | Sheave, 3.8 - 2 GR | \$27.26 |
| 999074 | Sheave, 4.2 - 2 GR | 34.95 |
| 999060 | Sheave, 4.8 - 2 GR | 55.07 |
| 999061 | Sheave, 5.8 - 2 GR (1610) | 55.07 |
| 999089 | Sheave, 8.0 - 2 GR | 62.48 |
| 999058 | Sheave, 9.4 - 2 GR (2571) | 88.50 |
| 999014 | Sheave, 5.8 3B | 88.50 |
| 999014 | Sheave, 9.4 3B | 131.50 |



033514
Snap Ring, 3" WAR Hanna

SNAP RINGS

| Part No | Description | Price |
|---------|-----------------------|--------|
| 033514 | SnapRing 3" war | \$4.13 |

800.448.3946

Call or Check Website For Current Pricing!

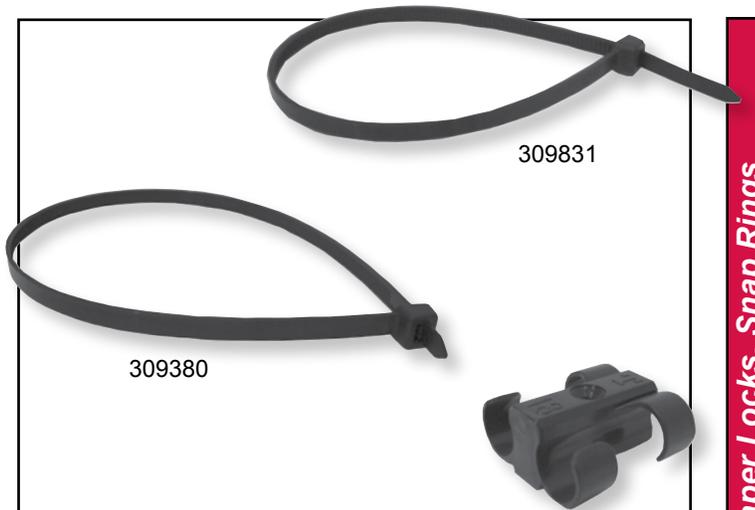
www.pecocarwash.com

CLAMPING ACCESSORIES & PLASTIC TIES



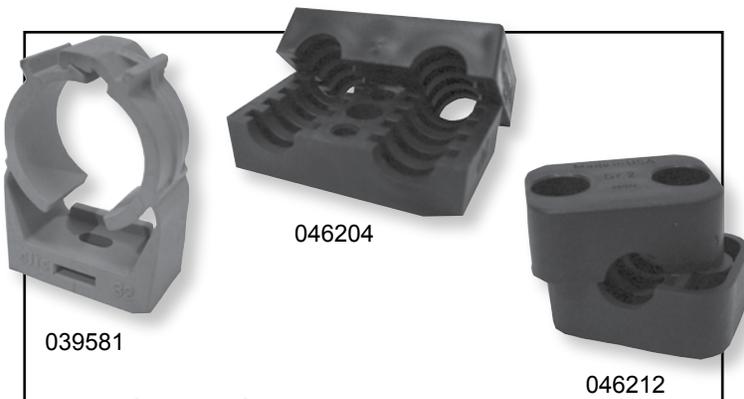
UNISTRUT CLAMPS

| Part No | Description | Price |
|---------|---|---------|
| 024069 | Clamp-PVC, 2" Conduit (for PVC) | \$12.00 |
| 024070 | Clamp-PVC, 3" Conduit (for PVC) | 12.00 |
| 024071 | Clamp-PVC, 4" Conduit (for PVC) | 14.00 |
| 024124 | Clamp-PLT, 1/2" Unistrut Tube (w/Insert)..... | 1.80 |
| 024122 | Clamp-PLT, 3/4" Unistrut Tube (w/Insert)..... | 1.70 |
| 024117 | Clamp-PLT, 2" Unistrut Tube (for PVC)..... | .89 |
| 024116 | Clamp-PLT, 3" Unistrut Tube (for PVC)..... | 1.20 |
| 024118 | Clamp-PLT, 4" Unistrut Tube (for PVC)..... | 1.60 |
| 024119 | Clamp-PLT, 6" Unistrut Tube (for PVC)..... | 2.55 |
| 024125 | Clamp-SS, 1/2" Unistrut Tube (w/Insert)..... | 5.50 |
| 024123 | Clamp-SS, 3/4" Unistrut Tube (w/Insert)..... | 5.50 |



CLIPS & STRAPS

| Part No | Description | Price |
|---------|---|-------|
| 309380 | Tie-Plastic, 18-1/2" (Black) | \$ 55 |
| 309831 | Tie-Plastic, 8" (Black)..... | 25 |
| 046215 | Clamp-Plastic, 7/8 - 1 1/4 T-Clip (T22) Black | 2.60 |
| 046216 | Clamp-Plastic, 3/4 - 7/8 T-Clip (T18) Black | 1.70 |



PIPE & TUBE CLAMPS

| Part No | Description | Price |
|---------|---|--------|
| 039582 | Clamp-Plastic, 1/2" Pipe Clic (Grey) #20... | \$1.25 |
| 039585 | Clamp-Plastic, 3/4" Pipe Clic (Grey) #25..... | 1.55 |
| 039581 | Clamp-Plastic, 1" Pipe Clic (Grey) #32..... | 2.50 |
| 039580 | Clamp-Plastic, 1-1/2" Pipe Clic (Grey) #47..... | 3.40 |
| 046218 | Clamp-Plastic, 3/8" Pipe (Stauff GR2)..... | 1.00 |
| 046212 | Clamp-Plastic, 1/2" Pipe (Stauff GR3)..... | 1.85 |
| 046213 | Clamp-Plastic, 3/4" Pipe (Stauff GR3)..... | 1.80 |
| 046205 | Clamp-Plastic, 1" Pipe (Stauff GR5)..... | 3.25 |
| 046204 | Clamp-Plastic, 1/2" Tube Twin (Stauff)..... | 2.35 |



HOSE CLAMPS

| Part No | Description | Price |
|---------|---------------------------------------|-------|
| 029175 | Clamp-Galv, 1/4 - 5/8 Hose..... | .65 |
| 029173 | Clamp-Galv, 7/16 - 29/32 Hose | 1.25 |
| 029172 | Clamp-Galv, 9/16 - 1-1/16 Hose | 1.25 |
| 029170 | Clamp-Galv, 3/4 - 1-1/2 Hose | 1.25 |
| 046001 | Clamp-Galv, 1-5/16 - 2-1/4 Hose | 1.25 |
| 046013 | Clamp-Galv, 2" - 3" Hose | 1.50 |

FOR MORE PARTS... AND CURRENT PRICES

SHOP ONLINE 24/7

www.pecocarwash.com

Standard Car Wash
PARTS & SUPPLIES

PECO Equipment
REPLACEMENT PARTS

Car Wash
SYSTEMS

Clamping Accessories & Plastic Ties
EQUIPMENT

CALL PECO!!!!

FOR YOUR NEXT REPLACEMENT **CLOTH** ORDER

800.448.3946

US ONLY

**PECO OFFERS TWO TYPES
OF REPLACEMENT CLOTH**

TRADITIONAL NON-FADE CLOTH & **EVER CLEAN™**
soft cloth

TRY! EVERCLEAN CLOTH™ FOR YOUR NEXT RE-LOAD

IT'S READY TO CLEAN RIGHT OUT OF THE BOX

THERE IS NO NEED FOR A BREAK-IN PERIOD

**30% LESS NOISE IN THE VEHICLE FOR YOUR
EXPRESS EXTERIOR CUSTOMERS**

UNMATCHED CLEANING!!!

FOUR COLORS TO CHOOSE FROM - RED, BLACK, GREEN & BLUE!!!

HOW TO READ PECO PART NUMBERS ON CLOTH PANELS, FOAM PANELS & TIRE-WHEEL BRUSHES.

Side Wheels & Mitting Curtain Panel LEGEND

5 7 1 1 2 1 1 0 N Cloth, 11-5/8H x 21-1/2/23L 1PLY 1"Cut GREEN EverClean™

6 7 1 2 8 0 1 0 L 3 Cloth, 12W x 80L 1PLY 1"Loop 3"Slit Black EverClean™

5 7 0 8 1 9 2 4 R Cloth, 8 ½ H x 19 ½ L 1PLY 3/8" Cut RED

Description: Use for additional information on construction of the panel.

- Size of Cuts: 3/8"-1/2"-3/4"- 1" or Buffer-No Cuts
- Taper Lengths 21 ½" to 23"
- Uneven Numbers on Height or Length
- Miscellaneous Information if Needed

Color: R=Red; B=Blue; L=Black; N=Green; G=Gray; Y=Yellow; E=Orange

Material: 0=Cloth-PECO EverClean™ 2=Cloth-Polyester 4=Cloth-Polypropylene Industry Standard
6=Drying Cloth – PECO Shammy 8=Foam-Closed Cell- PECO Soft-Flex Foam™

Number of Ply: 1=Single Ply Panel 2=Double Ply Panel

Length of Panel: In Inches-Only use first whole numbers (19 ½" = 19)

Height/Width of Panel: In Inches-Only use first whole numbers (8 ½" = 08)
(Note: Use Height for Side Wheel Panels and Width for Mitting Curtain Panels)

Attachment: 47=Slide-In Sewn In Rod 57=Slide-In Plastic Fin 67=Looped 1"
77=Straight Cut Panel (use on Bolt-On or Clip on Panels)

Tire and Wheel Brush LEGEND

6 9 6 2 0 5 Tire Brush, 6" x 96" Cloth-Black; Bolt-On 1" Shaft

1 9 6 2 0 4 Tire Brush, 11" x 96" Stepped Blue 11"D/4"L—Red 8"D/2"L; 4-Bolt

8 9 6 0 0 1 Tire Brush, 8" x 96" 50%Poly/50%Tynex; 4-Bolt

Description: Use for additional information on construction of the Tire Brush.

- Material Mixture Percentages %
- Mixture Color Descriptions
- Stepped Information
- Miscellaneous Information if Needed

Material: 0=Polypropylene
1=Polypropylene/Tynex Mix
2=Tynex w/Nylon Ends
3= Polypropylene/Nylon Mix
4=Polyethylene
5=Cloth
6=Nylon

Color: 0=Black; 1=Mixture; 2=Red; 3=Blue; 4=Yellow; E=Orange
(note: Only Polypropylene and Polyethylene can have color)

Attachment: 0=Four Bolt Flange 1=Solid Shaft 2=Bolt-On Shaft

Length of Outer Brush: In Inches- Typically 84"; 87"; 96"

Diameter of Brush: In Inches- Typically 8"

6= 6" Diameter 8= 8" Diameter 9= 9" Diameter 0= 10" Diameter 1= 11" Diameter
2= 12" Diameter 3= 13" Diameter 4= 14" Diameter 5= 15" Diameter

Nylon = Longer wear and better bend recovery than a polypropylene bristle. Best life. Cannot touch vehicle painted surfaces.

Polypropylene = Low Cost brush does not have as good a bend recovery as nylon. Cannot touch vehicle painted surfaces.

Tynex = Best Cleaning, Abrasive grit impregnated in nylon. Shorter Life. Must retract from certain wheels and hubs. Cannot touch vehicle painted surfaces.

Polyethylene = Average life, very flexible bristle, Can touch vehicle painted surfaces. Great for cleaning wheels and vehicle side panels.

Standard Car Wash
PARTS & SUPPLIES

PECO Equipment
REPLACEMENT PARTS

Cloth - Foam - Bristle & Accessories

Car Wash
SYSTEMS

Car Wash
EQUIPMENT

HOW TO ORDER CLOTH AND FOAM FOR SIDE WHEELS

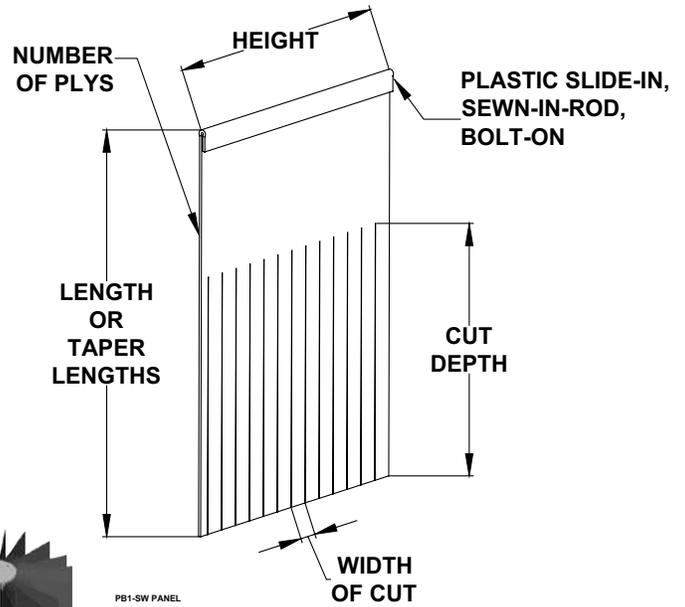
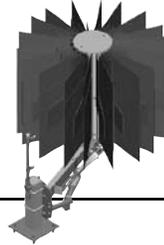
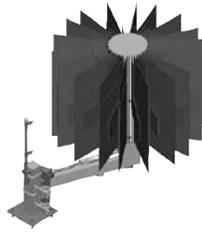
Please Specify :

Panel Construction:

- Color of Material
- Type of Material
- Number of Ply (note if not specified, assume single ply)
- Length of Material (note: this is where you also would put any type of taper needed)
- Height of Panel
- Attachment Connection
- Size of Cuts and Depth of Cuts
- Miscellaneous Special Needs

Quantity:

- Number of pieces needed of the above Panel Construction



HOW TO ORDER CLOTH FOR MITTING CURTAINS

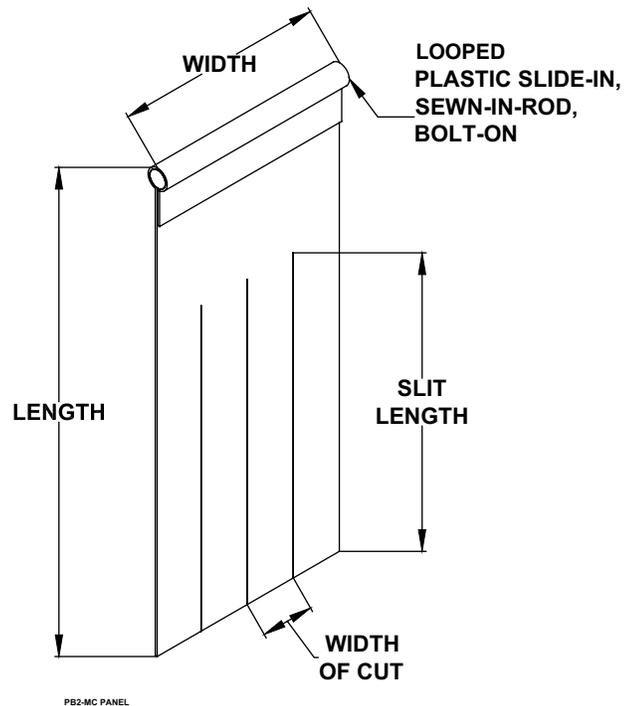
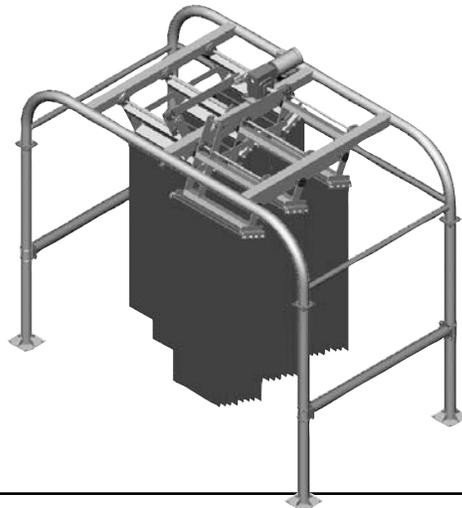
Please Specify :

Panel Construction:

- Color of Material
- Type of Material
- Number of Ply (note if not specified, assume single ply)
- Length of Material (note: this is where you also would put any type of taper needed)
- Width of Panel
- Attachment Connection
- Width of Cut & Length of Slits
- Miscellaneous Special Needs

Quantity:

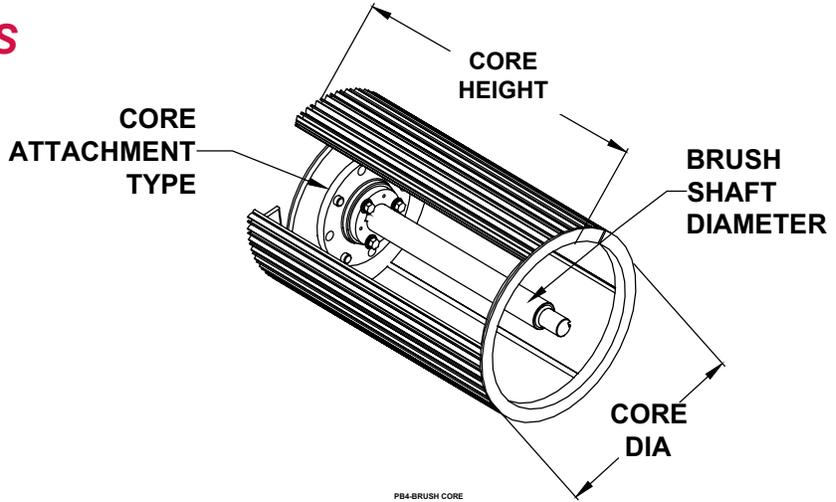
- Number of pieces needed of the above Panel Construction



HOW TO ORDER CORES

Please Specify :

- Diameter of Core
- Height of Core
- Number of Slots in Hub
- How the Core is Attached to the Shaft
 - Four Bolt Flange
 - Threaded Core
 - Holes Through Core
 - Clamp On Shaft using Spider Bracket
 - Bolt on hub flange
- Diameter of Brush Shaft



Clamp on Shaft Spider

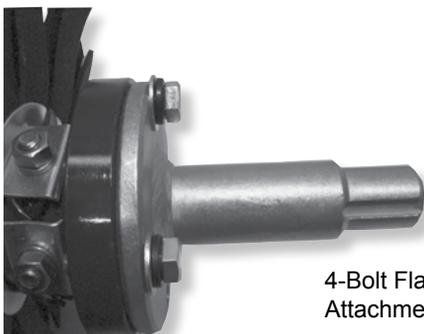
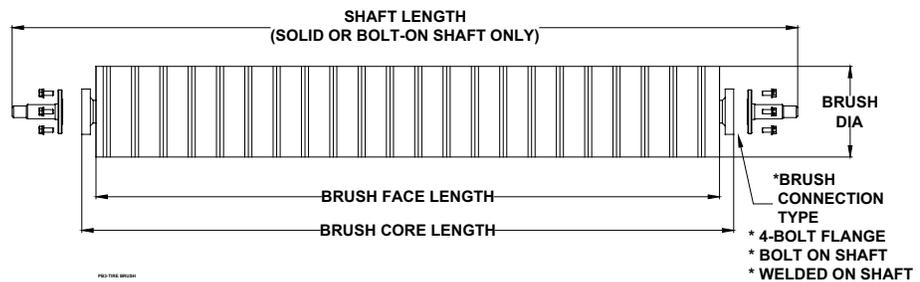


Bolt on Hub Flange

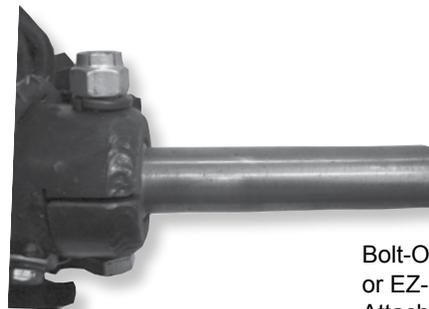
HOW TO ORDER TIRE & WHEEL BRUSHES

Please Specify :

- Material
- Color of Bristle
- Type of Attachment and shaft size
- Length of Brush Face
- Length of Core
- Miscellaneous Special Needs



4-Bolt Flange Attachment



Bolt-On Shaft or EZ-On Attachment

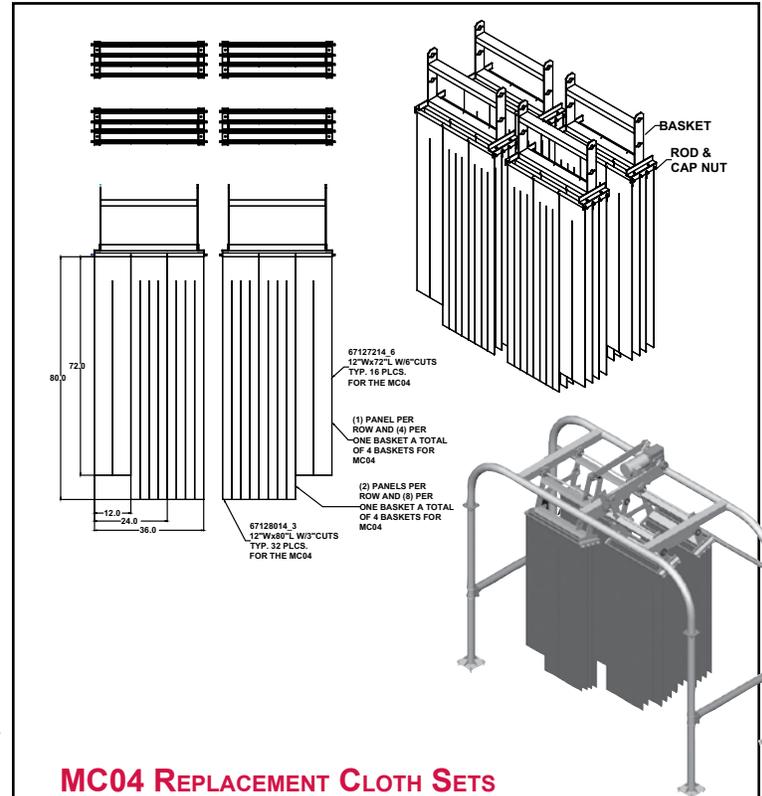
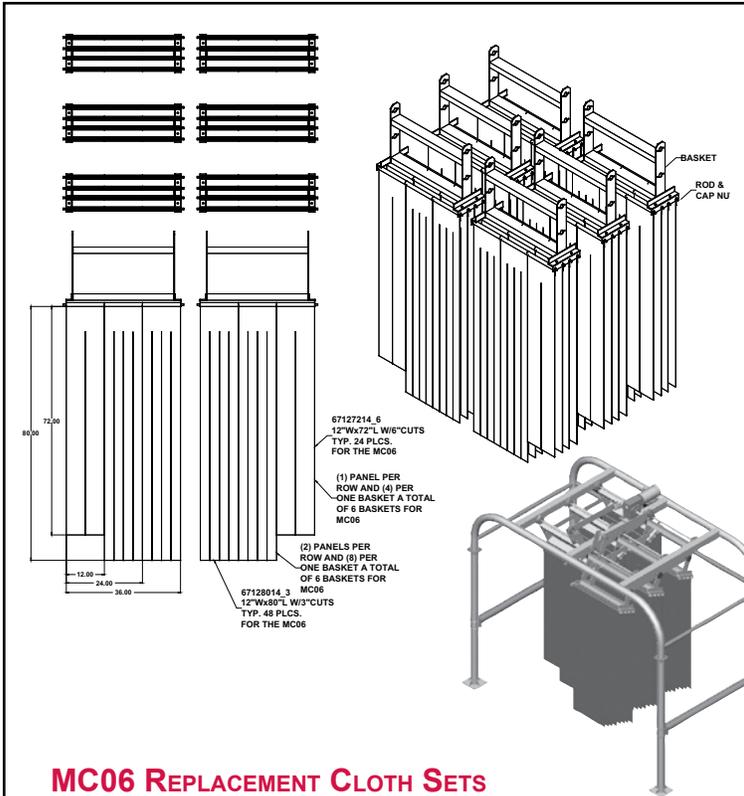
Standard Car Wash
PARTS & SUPPLIES

PECO Equipment
REPLACEMENT PARTS

Cloth - Foam - Bristle & Accessories

Car Wash
SYSTEMS

Car Wash
EQUIPMENT

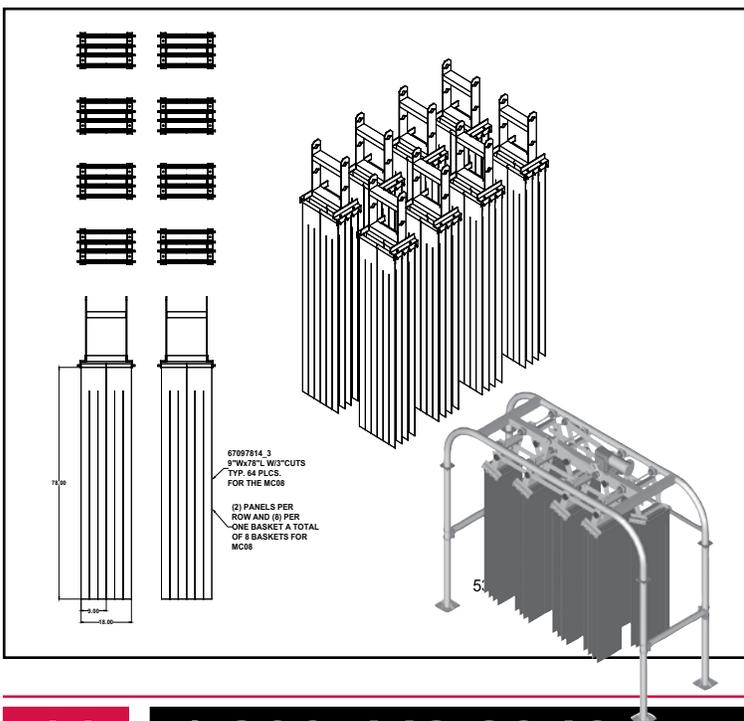


MC06 REPLACEMENT CLOTH SETS

| Part No | Description | Price |
|---------|---------------------------------|-----------|
| 670604B | Cloth-Set, MC06 Blue | \$1075.00 |
| 670600B | Cloth-Set, MC06 Blue EverClean | 1075.00 |
| 670604R | Cloth-Set, MC06 Red | 1075.00 |
| 670600R | Cloth-Set, MC06 Red EverClean | 1075.00 |
| 670604L | Cloth-Set, MC06 Black | 1075.00 |
| 670600L | Cloth-Set, MC06 Black EverClean | 1075.00 |

MC04 REPLACEMENT CLOTH SETS

| Part No | Description | Price |
|---------|---------------------------------|----------|
| 670404B | Cloth-Set, MC04 Blue | \$717.00 |
| 670400B | Cloth-Set, MC04 Blue EverClean | 717.00 |
| 670404R | Cloth-Set, MC04 Red | 717.00 |
| 670400R | Cloth-Set, MC04 Red EverClean | 717.00 |
| 670404L | Cloth-Set, MC04 Black | 717.00 |
| 670400L | Cloth-Set, MC04 Black EverClean | 717.00 |



MC08 REPLACEMENT CLOTH SETS

| Part No | Description | Price |
|---------|---------------------------------|----------|
| 670804B | Cloth-Set, MC08 Blue | \$736.00 |
| 670800B | Cloth-Set, MC08 Blue EverClean | 736.00 |
| 670804R | Cloth-Set, MC08 Red | 736.00 |
| 670800R | Cloth-Set, MC08 Red EverClean | 736.00 |
| 670804L | Cloth-Set, MC08 Black | 736.00 |
| 670800L | Cloth-Set, MC08 Black EverClean | 736.00 |

MC02 REPLACEMENT CLOTH SETS

| Part No | Description | Price |
|---------|---------------------------------|----------|
| 670204B | Cloth-Set, MC02 Blue | \$368.00 |
| 670200B | Cloth-Set, MC02 Blue EverClean | 368.00 |
| 670204R | Cloth-Set, MC02 Red | 368.00 |
| 670200R | Cloth-Set, MC02 Red EverClean | 368.00 |
| 670204L | Cloth-Set, MC02 Black | 368.00 |
| 670200L | Cloth-Set, MC02 Black EverClean | 368.00 |

PECO MITTING CURTAINS REPLACEMENT CLOTH

67097814_3
9" Wx78" L
WET-CUTS
TYP. 16 PLCS.
FOR THE MC35

78.00

9.00 18.00

(2) PANELS PER ROW AND (8) PER ONE BASKET A TOTAL OF 2 BASKETS FOR THE MC35

80.00

12.00

6728014_3
12" Wx85" L
WET-CUTS
TYP. 24 PLCS.
FOR THE MC35

(1) PANEL PER ROW AND (8) PER ONE BASKET A TOTAL OF 4 BASKETS FOR MC35

550500AY52

MC35 REPLACEMENT CLOTH SETS

| Part No | Description | Price |
|---------|--------------------------------------|----------|
| 673504B | Cloth-Set, MC35 Blue..... | \$551.00 |
| 673500B | Cloth-Set, MC35 Blue EverClean | 551.00 |
| 673504R | Cloth-Set, MC35 Red..... | 551.00 |
| 673500R | Cloth-Set, MC35 Red EverClean..... | 551.00 |
| 673504L | Cloth-Set, MC35 Black | 551.00 |
| 673500L | Cloth-Set, MC35 Black EverClean..... | 551.00 |

TYPICAL CLOTH, FOAM AND BRISTLE ACCESSORIES



159459



182196



057531



383007



247270



383008

Standard Car Wash
PARTS & SUPPLIES

PECO Equipment
REPLACEMENT PARTS

Cloth - Foam - Bristle & Accessories
Car Wash
SYSTEMS

SYSTEMS

Car Wash
EQUIPMENT

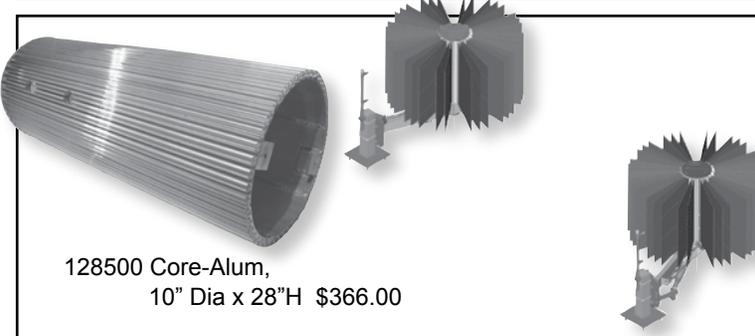
FOR MORE PARTS... AND CURRENT PRICES
SHOP ONLINE 24/7
www.pecocarwash.com



118500 Core-Alum,
10" Dia x 18"H \$253.00

PE118ss OR PE118G
18" Rocker Washer Replacement Cloth & Hardware

| Part No | Description | Price |
|---------|---|----------|
| 118000B | Cloth-Set, PE118 Blue EverClean | \$390.95 |
| 118000R | Cloth-Set, PE118 Red EverClean..... | 390.95 |
| 118000L | Cloth-Set, PE118 Black EverClean..... | 390.95 |
| 118004B | Cloth-Set, PE118 Blue | 390.95 |
| 118004R | Cloth-Set, PE118 Red..... | 390.95 |
| 118004L | Cloth-Set, PE118 Black | 390.95 |
| 118010B | Bristle-Set, PE118 Blue Bristle w/core..... | 799.95 |
| 118010R | Bristle-Set, PE118 Red Bristle w/core | 799.95 |
| 118010L | Bristle-Set, PE118 Black Bristle w/core | 799.95 |
| 118008B | Foam-Set, PE118 Blue Soft-Flex Foam..... | 660.95 |
| 118008R | Foam-Set, PE118 Red Soft-Flex Foam | 660.95 |
| 118008L | Foam-Set, PE118 Black Soft-Flex Foam | 660.95 |



128500 Core-Alum,
10" Dia x 28"H \$366.00

PE128ss OR PE128G
28" Rocker Washer Replacement Cloth & Hardware

| Part No | Description | Price |
|---------|--|----------|
| 128000B | Cloth-Set, PE128 Blue EverClean | \$757.70 |
| 128000R | Cloth-Set, PE128 Red EverClean..... | 757.70 |
| 128000L | Cloth-Set, PE128 Black EverClean | 757.70 |
| 128004B | Cloth-Set, PE128 Blue | 757.70 |
| 128004R | Cloth-Set, PE128 Red | 757.70 |
| 128004L | Cloth-Set, PE128 Black | 757.70 |
| 128008B | Foam-Set, PE128 Blue Soft-Flex Foam .. | 1028.25 |
| 128008R | Foam-Set, PE128 Red Soft-Flex Foam.... | 1028.25 |
| 128008L | Foam-Set, PE128 Black Soft-Flex Foam.. | 1028.25 |



135500 Core-Alum,
12" Dia x 35"H \$412.50

PE135ss OR PE135G
35" Deluxe Side Washer Replacement Cloth & Hardware

| Part No | Description | Price |
|---------|--|-----------|
| 135000B | Cloth-Set, PE135 Blue EverClean | \$1119.50 |
| 135000R | Cloth-Set, PE135 Red EverClean..... | 1119.50 |
| 135000L | Cloth-Set, PE135 Black EverClean | 1119.50 |
| 135004B | Cloth-Set, PE135 Blue | 1119.50 |
| 135004R | Cloth-Set, PE135 Red | 1119.50 |
| 135004L | Cloth-Set, PE135 Black | 1119.50 |
| 135008B | Foam-Set, PE135 Blue Soft-Flex Foam | 1450.00 |
| 135008R | Foam-Set, PE135 Red Soft-Flex Foam | 1450.00 |
| 135008L | Foam-Set, PE135 Black Soft-Flex Foam.... | 1450.00 |



Bottom Core for the PE163
135500 Core-Alum,
12" Dia x 35"H \$412.50



Top Core for the PE163
163500 Core-Alum,
12" Dia x 28"H w/collar \$362.30

163501

PE163ss OR PE163G
63" Van Side Washer Replacement Cloth & Hardware

| Part No | Description | Price |
|---------|---|----------|
| 163000B | Cloth-Set, PE163 Blue EverClean | \$281.25 |
| 163000R | Cloth-Set, PE163 Red EverClean..... | 281.25 |
| 163000L | Cloth-Set, PE163 Black EverClean | 281.25 |
| 163004B | Cloth-Set, PE163 Blue | 281.25 |
| 163004R | Cloth-Set, PE163 Red | 281.25 |
| 163004L | Cloth-Set, PE163 Black | 281.25 |
| 163008B | Foam-Set, PE163 Blue Soft-Flex Foam | 577.10 |
| 163008R | Foam-Set, PE163 Red Soft-Flex Foam | 577.10 |
| 163008L | Foam-Set, PE163 Black Soft-Flex Foam..... | 577.10 |

PECO SIDE WHEEL/WRAP AROUND REPLACEMENT CLOTH



Bottom Core for PE250
250500 Core-Alum,
PE250 Lower \$296.25

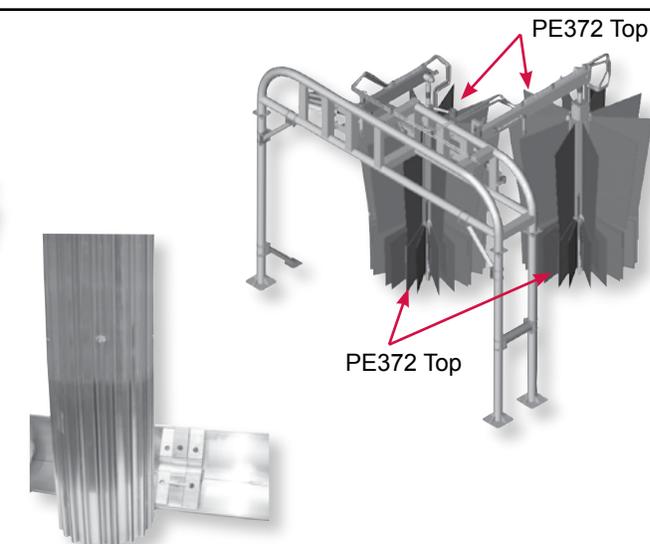
Top Core for PE250
250501 Core-Alum,
PE250 Upper w/Collar \$126.50

PE250SS OR PE250G GRILL WASHER

50" Front-to-Side Washer Replacement Cloth & Hardware.

Note: PE250 is made up of a Top Core and Bottom Core.

| Part No | Description | Price |
|---------|--|-----------|
| 250500B | Cloth-Set, PE250 Blue EverClean | \$1344.50 |
| 250500R | Cloth-Set, PE250 Red EverClean | 1344.50 |
| 250500L | Cloth-Set, PE250 Black EverClean | 1344.50 |
| 250504B | Cloth-Set, PE250 Blue | 1344.50 |
| 250504R | Cloth-Set, PE250 Red | 1344.50 |
| 250504L | Cloth-Set, PE250 Black | 1344.50 |
| 250508B | Foam-Set, PE250 Blue Soft-Flex Foam | 2190.00 |
| 250508R | Foam-Set, PE250 Red Soft-Flex Foam | 2190.00 |
| 250508L | Foam-Set, PE250 Black Soft-Flex Foam | 2190.00 |



Top Core for PE372/WA720
372500T Core-Alum, PE372 Top
8" x 48" w/collar \$322.10

Bottom Core for PE372/WA720
372500B Core-Alum,
PE372 Bottom 12" x 24" \$267.20



372501 Core-Collar-Alum
PE372/WA720 \$24.00

PE372SS OR PE372G WRAPAROUND

72" Wraparound Replacement Cloth & Hardware

Note: PE372 is made up of a Top Core and Bottom Core.

| Part No | Description | Price |
|---------|---|-----------|
| 372000B | Cloth-Set, PE372/WA720 Blue EverClean | \$1406.55 |
| 372000R | Cloth-Set, PE372/WA720 Red EverClean | 1406.55 |
| 372000L | Cloth-Set, PE372/WA720 Black EverClean | 1406.55 |
| 372004B | Cloth-Set, PE372/WA720 Blue | 1406.55 |
| 372004R | Cloth-Set, PE372/WA720 Cloth | 1406.55 |
| 372004L | Cloth-Set, PE372/WA720 Cloth | 1406.55 |
| 372008B | Foam-Set, PE372/WA720 Blue Soft-Flex Foam | 2590.00 |
| 372008R | Foam-Set, PE372/WA720 Red Soft-Flex Foam | 2590.00 |
| 372008L | Foam-Set, PE372/WA720 Black Soft-Flex Foam | 2590.00 |

CALL PECO!!!!

FOR YOUR NEXT REPLACEMENT **FOAM** ORDER

800.448.3946

US ONLY

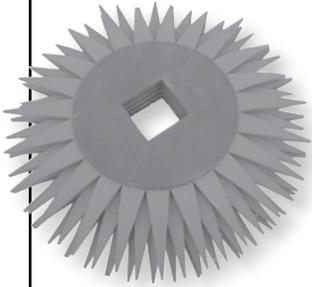
Standard Car Wash
PARTS & SUPPLIES

PECO Equipment
REPLACEMENT PARTS

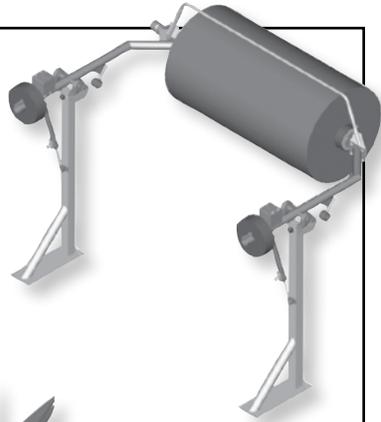
Car Wash
SYSTEMS

Car Wash
EQUIPMENT

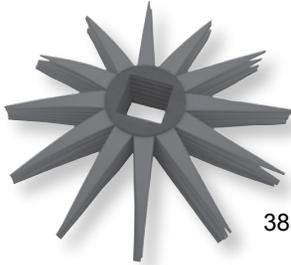
Cloth - Foam - Bristle & Accessories



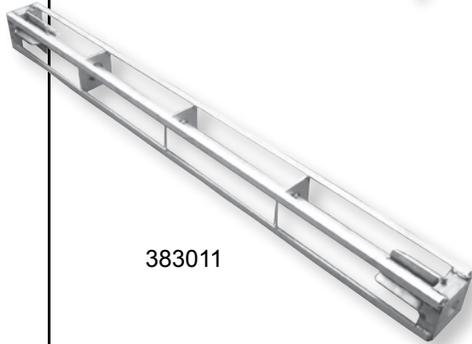
383105



383104



383108



383011

PE383 TOP BRUSH

83" Top Brush Replacement Foam & Hardware

Replacement Sets

| Part No | Description | Price |
|-----------|--|-----------|
| 383108B | Foam-Set, PE383 Blue Soft-Flex Foam..... | \$3390.00 |
| 383108R | Foam-Set, PE383 Red Soft-Flex Foam .. | 3390.00 |
| 383108L | Foam-Set, PE383 Black Soft-Flex Foam | 3390.00 |
| 383108B/R | Foam-Set, PE383 Blue/Red Mix Soft-Flex Foam..... | 3390.00 |

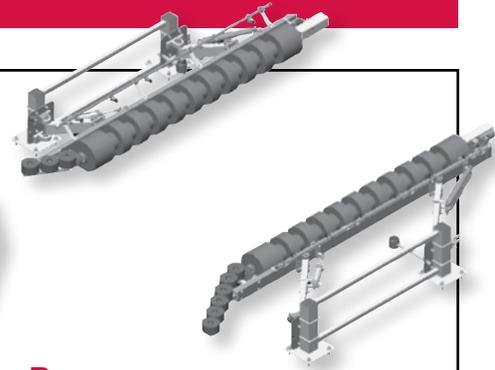
Individual Replacement Items

| Part No | Description | Price |
|---------|-------------------------------------|----------|
| 383104 | TB-PE383-Foam, End Bun Red..... | \$206.75 |
| 383105 | TB-PE383-Foam, Center Bun Red | 371.50 |
| 383106 | TB-PE383-Foam, End Bun Blue | 206.75 |
| 383107 | TB-PE383-Foam, Center Bun Blue..... | 371.50 |
| 383108 | TB-PE383-Foam, End Spacer | 10.00 |
| 383011 | Hub-Alum, PE383 | 925.00 |



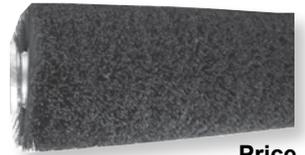
WHEEL REPLACEMENT BRUSH

| Part No | Description | Price |
|---------|---|----------|
| 196034 | Tire Brush, 11 x 96 Stepped Blue 11"D/4"L—Red8"D/2"L..... | \$470.75 |



TIRE BRUSH REPLACEMENT

| Part No | Description | Price |
|---------|---|----------|
| 196034 | 887000 Tire Brush, 8 x 87 100% Polypro w/4-bolt Flg..... | \$470.25 |
| 887001 | Tire Brush, 8 x 87 50%/50% Polypro/Tynex w/4-bolt Flg | \$685.00 |
| 887002 | Tire Brush, 8 x 87 Tynex/Nylon Ends w/4-bolt Flg | \$685.00 |
| 887003 | Tire Brush, 8 x 87 Nylon/Polypro w/4-bolt Flg..... | \$477.00 |
| 896000 | Tire Brush, 8 x 96 100% Polypro w/4-bolt Flg..... | \$348.00 |
| 896001 | Tire Brush, 8 x 96 50%/50% Polypro/Tynex w/4-bolt Flg..... | \$500.00 |
| 896002 | Tire Brush, 8 x 96 Tynex/Nylon Ends w/4-bolt Flg | \$685.00 |
| 896003 | Tire Brush, 8 x 96 Nylon/Polypro w/4-bolt Flg..... | \$430.00 |



TIRE APPLICATOR CLOTH BRUSH REPLACEMENTS

| Part No | Description | Price |
|---------|--|----------|
| 896205 | Tire Brush, 8 x 96 Cloth Black w/Bolt-On shaft | \$420.00 |
| 896005 | Tire Brush, 8 x 96 Cloth Black w/4-bolt Flg | \$450.00 |
| 696205 | Tire Brush, 6 x 96 Cloth Black w/Bolt-On shaft | \$420.00 |



CALL PECO!!!!

FOR YOUR NEXT REPLACEMENT **FOAM** ORDER

800.448.3946

US ONLY

SOFT

FLEX®

FOAM™

TRY! **SOFT FLEX FOAM™** FOR YOUR NEXT RE-LOAD
FEATHER LIKE TOUCH...

FOUR BRILLIANT COLORS TO CHOOSE FROM -
RED, BLACK, GREEN & BLUE!!!



FOR MORE PARTS... AND CURRENT PRICES

SHOP ONLINE 24/7

www.pecocarwash.com

Standard Car Wash
PARTS & SUPPLIES

PECO Equipment
REPLACEMENT PARTS

Car Wash
SYSTEMS

Car Wash
EQUIPMENT

Cloth - Foam - Bristle & Accessories



PECO DELUXE SERIES TAKE UP DRUM/CAGE/SLIDE RAILS & ACCESSORIES

| Part No | Description | Price |
|---------|--|----------|
| 170340 | CN-Drum-Painted, DLX Take-Up (Welded Shaft) | \$129.95 |
| 055099 | BRG-2B-1 15/16, Std | 45.95 |
| 510026 | CN-Slide Rail Clamp-Galv, R/H DLX Take-Up Cage | 15.00 |
| 510027 | CN-Slide Rail Clamp-Galv, L/H DLX Take-Up Cage | 15.00 |
| 510028 | CN-Slide Rail-UHMW, R/H DLX Take-Up Cage | 25.00 |
| 510029 | CN-Slide Rail-UHMW, L/H DLX Take-Up Cage | 25.00 |
| 510016 | CN-Slide Rail-Galv, DLX Complete | 69.00 |
| 510033 | CN-Wear Pad-UHMW, DLX Slide Rail | 6.00 |
| 510004 | CN-Rod, Take Up Threaded 1"-8 x 21" | 14.95 |
| 055265 | CN-Spring, DLX 6 x 19 Take Up | 140.00 |

PECO DELUXE SERIES ROLLER-UP FORK LIFT & ACCESSORIES

| Part No | Description | Price |
|---------|--|----------|
| 510007 | CN-Form-Painted, DLX Roller Left | \$175.00 |
| 510012 | CN-Fork Pad-Rubber, DLX W/Bolt | 2.99 |
| 015131 | Washer-Flat-Plt, 1-1/4 ID x 1-7/8 OD x 1/8 Thick | 4.00 |
| 055204 | BRG-PB-1 3/16, UHMW (White) Cn Fork | 35.00 |
| 510024 | CN-Fork Coupling-Alum, 7/8 x 1-3/16 2-Bolt Split | 51.85 |
| 510009 | CN-Arm-Painted, DLX Manual | 45.00 |
| 510010 | CN-Handle-Painted, DLX Removable Manual | 35.00 |
| 510011 | CN-Chain Rest, DLX Fork (Heat Treated) | 40.00 |
| 510003 | CN-BKT-PLT, DLX Actuator Stabilizer | 22.00 |
| 510005 | CN-BKT-PLT, DLX Actuator (2PCS Style) | 28.00 |
| 311705 | CN-Actuator, 7/8 Rotary Shaft | 466.60 |

PECO DELUXE SERIES ROLLER-UP FORK LIFT & ACCESSORIES

| Part No | Description | Price |
|---------|--|----------|
| 510007 | CN-Form-Painted, DLX Roller Left | \$175.00 |
| 510012 | CN-Fork Pad-Rubber, DLX W/Bolt | 2.99 |
| 015131 | Washer-Flat-Plt, 1-1/4 ID x 1-7/8 OD x 1/8 Thick | 4.00 |
| 055204 | BRG-PB-1 3/16, UHMW (White) Cn Fork | 35.00 |
| 510024 | CN-Fork Coupling-Alum, 7/8 x 1-3/16 2-Bolt Split | 51.85 |
| 510009 | CN-Arm-Painted, DLX Manual | 45.00 |
| 510010 | CN-Handle-Painted, DLX Removable Manual | 35.00 |
| 510011 | CN-Chain Rest, DLX Fork (Heat Treated) | 40.00 |
| 510003 | CN-BKT-PLT, DLX Actuator Stabilizer | 22.00 |
| 510005 | CN-BKT-PLT, DLX Actuator (2PCS Style) | 28.00 |
| 311705 | CN-Actuator, 7/8 Rotary Shaft | 466.60 |

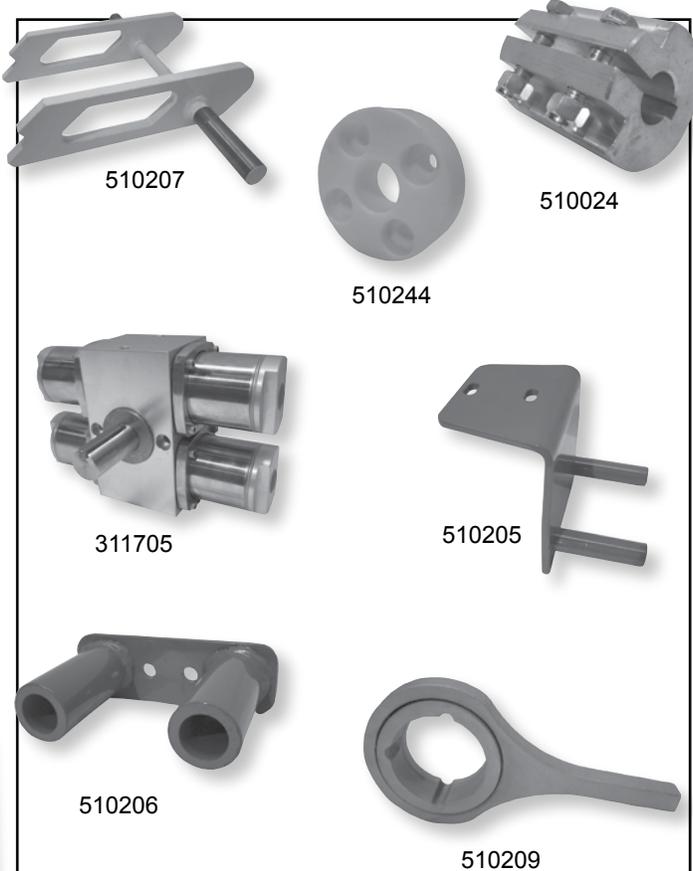
Actuator Repair Kits

| | | |
|--------|--|--------|
| 311700 | KIT-Bimba, Bearing (7/8 Rotary Shaft Actuator) | 14.00 |
| 311701 | KIT-Bimba, Shaft (7/8 Rotary Shaft Actuator) | 97.10 |
| 311702 | KIT-Bimba, Seal Repair (7/8 Rotary Shaft Actuator) | 17.40 |
| 311704 | KIT-Bimba, Complete Rebuild (7/8 Actuator) | 151.00 |



PECO DELUXE SERIES TOP DECK PARTS

| Part No | Description | Price |
|---------|--|----------|
| 510085 | CN-Base Plate, DLX Entrance Rubber TD..... | \$196.32 |
| 164220 | TD-Entrance, Complete Belted Peco (DLX/ULT) | 109.00 |
| 510098 | TD-Rubber, Peco Entrance Replacement..... | 19.95 |
| 510021 | CN-Kicker Plate, P/S DLX..... | 37.95 |
| 510022 | CN-Kicker Plate, D/S DLX..... | 37.95 |
| 950500 | CN-Decal, "Caution Do Not Step On Conveyor" Vinyl, Yellow..... | 1.00 |



PECO ULTIMATE SERIES ROLLER-UP FORK LIFT & ACCESSORIES

| Part No | Description | Price |
|---------|--|----------|
| 510207 | CN-Fork-Paint, ULT Roller Lift | \$299.00 |
| 019753 | Set-Collar-SS, 1-3/16 2PC Split..... | 16.96 |
| 510244 | BRG-Bush-UHMW, ULT Fork (Yellow)... | 12.00 |
| 510024 | CN-Fork Coupling-Alum, 7/8 x 1-3/16 2-Bolt Split | 51.85 |
| 510205 | CN-BKT-Paint, ULT Actuator (Angle Style) | 65.00 |
| 510206 | CN-BTK-Paint, ULT Actuator Stabilizer . | 49.95 |
| 510209 | CN-Arm-PLT, ULT Manual | 120.49 |
| 510208 | Taperlock-STL, 1-3/16 (2012)..... | 26.95 |
| 228536 | Stop-Rubber, 1-1/2 DIA x 1-1/4 Long (1/2-13 x 2-1/2 Bolt)..... | 15.00 |
| 311705 | CN-Actuator, 7/8 Rotary Shaft | 466.60 |

Actuator Repair Kits

| | | |
|--------|--|---------|
| 311700 | KIT-Bimba, Bearing (7/8 Rotary Shaft Actuator) | \$14.00 |
| 311701 | KIT-Bimba, Shaft (7/8 Rotary Shaft Actuator) | 97.10 |
| 311702 | KIT-Bimba, Seal Repair (7/8 Rotary Shaft Actuator) | 17.40 |
| 311704 | KIT-Bimba, Complete Rebuild (7/8 Actuator) | 151.00 |

FOR MORE PARTS... AND CURRENT PRICES

SHOP ONLINE 24/7

www.pecocarwash.com

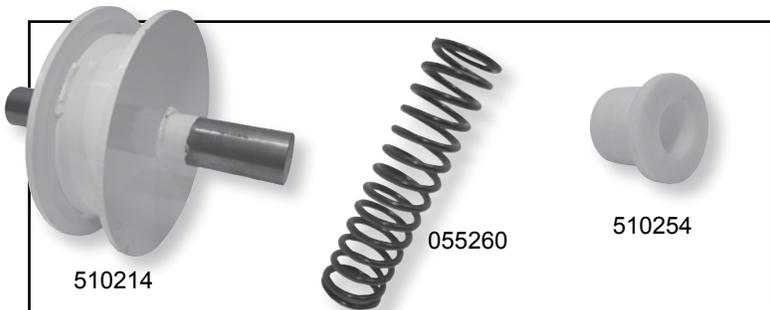
Standard Car Wash
PARTS & SUPPLIES

PECO Equipment
REPLACEMENT PARTS

Conveyor Parts - PECO Entrance

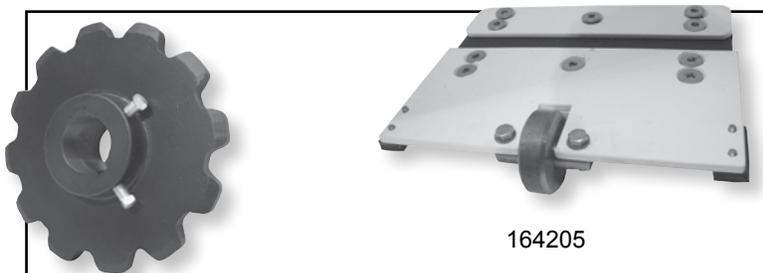
Car Wash
SYSTEMS

Car Wash
EQUIPMENT



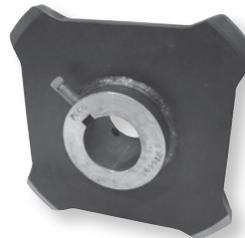
PECO ULTIMATE SERIES TAKE UP DRUM/CAGE/SLIDE RAILS & ACCESSORIES

| Part No | Description | Price |
|---------|--|----------|
| 510214 | CN-Drum-Paint, ULT Take-Up..... | \$267.00 |
| 510216 | CN-Rail-SS, ULT Slide..... | 65.00 |
| 055260 | CN-Spring-Painted, ULT 6-3/4 x 26 Take-Up..... | 301.00 |
| 510254 | Bush-UHMW, ULT Slide Insert (Yellow)..... | 4.00 |
| 010375 | BRG-4B-2 3/16, STD..... | 49.95 |



170084

164205



269912



510097



510081



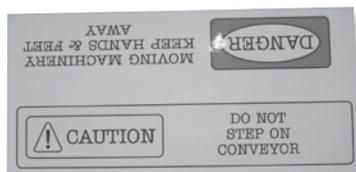
510096



164220



510078



950407

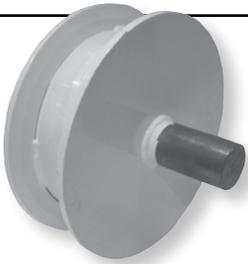
PECO ULTIMATE SERIES TOP DECK PARTS

| Part No | Description | Price |
|---------|--|----------|
| 164220 | TD-Entrance, Complete Belted Peco (DLX/ULT)..... | \$109.00 |
| 510098 | TD-Rubber, Peco Entrance Replacement..... | 19.95 |
| 510078 | CN-Plate-Paint, Ultimate Entrance (Caution)..... | 54.00 |
| 510080 | CN-Plate-Plastic, Yellow Sintra 3Mm x 8-1/2" x 10"..... | 8.50 |
| 950407 | CN-Decal, "Caution/Danger" Conveyor Label (Laminated)..... | 1.25 |

PECO DELUXE & ULTIMATE SERIES EXIT PARTS

| Part No | Description | Price |
|---------|--|----------|
| 170084 | CN-Sprocket, 2-1/4" 12T..... | \$177.00 |
| 269912 | CN-Sprocket, 2-1/4" 4T (Pitch 4.031)..... | 199.50 |
| 164205 | TD-Exit, Complete Belted, PECO (DLX/ULT)..... | 193.00 |
| 510096 | TD-Rubber, Peco Exit Replacement..... | 24.95 |
| 510097 | TD-Pad, Exit Cushion (Replacement)..... | 3.00 |
| 510081 | CN-Plate-Painted, Peco Exit Base..... | 175.00 |
| 510015 | CN-Hang Down-Rubber, Peco Exit..... | 39.00 |
| 510017 | CN-Cushion-Rubber, Peco Exit Roller..... | 14.00 |
| 177881 | TD-Exit Wheel Shaft-STL..... | 16.95 |
| 177873 | TD-Exit Wheel-STL..... | 7.60 |
| 007762 | Gear Box-Heco, 2-1/4 Shaft Keyed 5-1 Ratio CF HYD DR..... | 901.25 |
| 007763 | Gear Kit-Heco, Sun..... | 121.88 |
| 007981 | Motor-Hyd, 106-1012 Char-Lynn..... | 398.80 |
| 001391 | Adapter-Plt, 7/8" Straight Thrd O-Ring x 1/2" NPT FM..... | 2.85 |
| 184698 | Adapter-Plt, 7/16" Straight Thrd O-Ring x 1/4" NPT FM..... | 2.81 |

CONVEYOR PARTS - HANNA™ REPLACEMENT PARTS



253393

170340
Replacement for Hanna™ Drum
* with weld in shaft
(1-15/16" Bearing Style)
* will accept: D88k, D667, D81x Chain



253394

253419
Replacement for Hanna™ Drum
* for 2" stationary solid shaft
* includes two 2" UHMW Bushings pressed in
* will accept: D88k, D667, D81x Chain



253435

HANNA™ TAKE UP DRUMS & ACCESSORIES

| Part No | Description | Price |
|---------|---|----------|
| 170340 | CN-Drum-Painted, DLX Take-Up (Welded Shaft) | \$129.95 |
| 253419 | CN-Drum-Painted, Hanna Take-Up (W/Bushings)..... | 159.85 |
| 253393 | CN-Bushing-UHMW, Hanna Take-Up Drum ... | 14.95 |
| 253394 | CN-Spacer-UHMW, Take-Up Drum (Blue) | 5.00 |
| 253435 | CN-Shaft, Hanna N/S Take-Up Drum..... | 70.40 |
| 055099 | BRG-2B-1, 15/16, Std | 45.95 |
| 055161 | BRG-4B-1, 15/16, Std | 45.95 |



149567



055194



154625

HANNA™ CONVEYOR FORKS & ACCESSORIES

| Part No | Description | Price |
|---------|---|---------|
| 149567 | CN-Fork-Painted, Hanna O/S Roller Lift..... | \$85.25 |
| 055194 | CN-Arm-Painted, Hanna Cylinder RCV | 45.00 |
| 154625 | CN-Arm-Painted, Hanna 8" Manual Fork..... | 45.00 |
| 055203 | BRG-PB-1 3/16, Light Duty..... | 34.50 |



265835



254276



253427

| Part No | Description | Price |
|---------|--|----------|
| 265835 | CN-Fork-Painted, Hanna N/S Roller Lift..... | \$157.50 |
| 254276 | CN-Bracket, Hanna N/S Fork Mounting (W/Bushing)..... | 45.85 |
| 253427 | CN-Bush-UHMW, Hanna N/S Fork..... | 13.95 |

Standard Car Wash
PARTS & SUPPLIES

PECO Equipment
REPLACEMENT PARTS

Conveyor Parts

Car Wash
SYSTEMS

Car Wash
EQUIPMENT

CALL PECO!!!!

FOR YOUR NEXT REPLACEMENT PARTS ORDER

800.448.3946

US ONLY



164200
Exit Trap Door Old Style



177881



177881



164201
Exit Trap Door New Style



170167



162680
Entrance Trap Door



164128



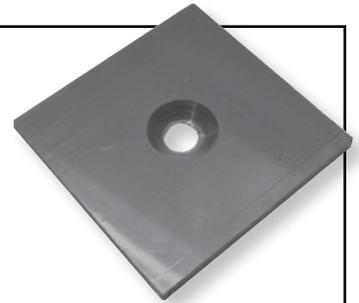
164129

HANNA™ TRAP DOORS & ACCESSORIES

| Part No | Description | Price |
|---------|--|---------|
| 164200 | TD-Exit, Complete O/S (Hanna)..... | \$79.95 |
| 164201 | TD-Exit, Complete (Peco Standard) (Hanna New Style)..... | 79.95 |
| 162680 | TD-Entrance, Complete (Hanna) | 75.95 |
| 164128 | TD-Shaft, 16" Exit Hinge (Hanna N/S)..... | 7.50 |
| 164129 | TD-Shaft, 12-1/4" ENT/EXT Hinge (Hanna O/S)..... | 7.50 |
| 177881 | TD-Exit Wheel Shaft-STL..... | 16.95 |
| 177873 | TD-Exit Wheel-STL | 7.60 |



254953



148205



170084



055191



155192

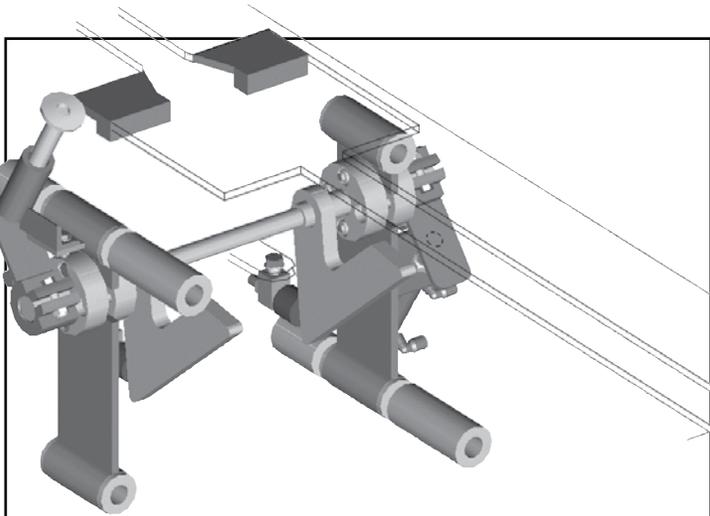
HANNA™ CONVEYOR MISCELLANEOUS PARTS

| Part No | Description | Price |
|---------|---|----------|
| 055265 | CN-Spring, DLX 6x19 Take Up | \$140.00 |
| 254953 | CN-Slide Rail, 39-1/4" Take Up Drum (Hanna) | 70.28 |
| 148205 | CN-Pad-Nylatron, 1/8" x 2" x 2" Slide (Hanna) | 3.15 |
| 055191 | CN-Kicker, Hanna Fork (SET)..... | 13.95 |
| 055192 | CN-Bracket, Hanna Fork Cyld Mount (Weldon)..... | 12.95 |
| 170084 | CN-Sprocket, 2-1/4" 12T..... | 177.00 |

FOR MORE PARTS... AND CURRENT PRICES

SHOP ONLINE 24/7

www.pecocarwash.com



PECO ULTIMATE CONVEYOR Tip-Up-Fork Retrofit Kit

**UPGRADE YOUR EXISTING PECO
ULTIMATE CONVEYOR TO THE
NEW TIP-UP-FORK DESIGN**

ELIMINATE ROLLER JAMMING

ELIMINATE LINKAGE WEAR

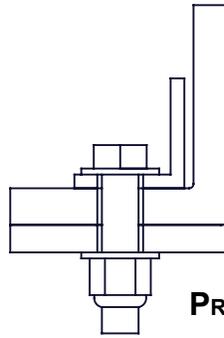
Foot Operated Manual Lift
Rubber Fork Rest Stops
Stainless Steel Hardware

EASY INSTALL

MINIMUM WELDING NEEDED

**§ 1,187.00 Call Now!
1-800-448-3946!!!**

| Part No | Description | Price |
|---------|--------------------------------|------------|
| 990150 | Tip-Up-Fork Retrofit Kit | \$1,187.00 |



Driver Side 10' UHMW Guide Rail Replacement Sections

**PREVENTS MARKING ON HUB CAP
WHEELS**

REPLACE YOUR CURRENT CONVEYOR GUIDE RAIL

3" x 3" x 1/2" UHMW ANGLE 10'

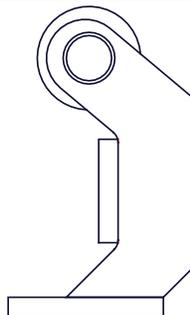
**INCLUDES 10' MOUNTING BASE & ANGLE
SUPPORT BRACKET**

SAFETY YELLOW ANGLE

INCLUDES MOUNTING HARDWARE

INCLUDES SAFETY LABELS "DO NOT STEP"

| Part No | Description | Price |
|---------|--|----------|
| 708950 | CN-Guide Rail Assembly 10' Driver Side (UHMW Angle) | \$310.00 |



Driver Side 10' Roller Guide Rail Replacement Sections

**PREVENTS MARKING ON HUB
CAP WHEELS**

PREVENTS TIRE FROM CLIMBING OVER GUIDE RAIL

REPLACE YOUR CURRENT CONVEYOR GUIDE RAIL

UHMW ROLLER GUIDE RAIL 10'

INCLUDES 10' MOUNTING BASE

SAFETY YELLOW ROLLER GUIDE

INCLUDES SAFETY LABELS "DO NOT STEP"

| Part No | Description | Price |
|---------|--|----------|
| 510275 | CN-Guide Rail Assembly 10' Driver Side (UHMW Roller)..... | \$295.00 |

Standard Car Wash
PARTS & SUPPLIES

PECO Equipment
REPLACEMENT PARTS

Conveyor Parts

Car Wash
SYSTEMS

Car Wash
EQUIPMENT

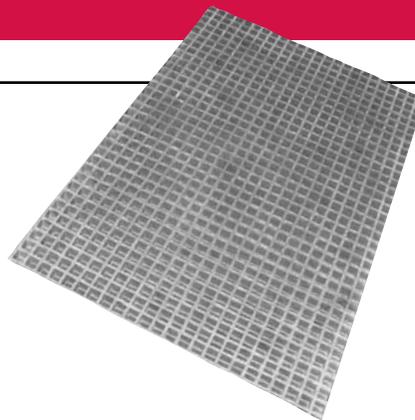


629002 Correlator Stainless Steel Roller Guide Rails

Correlator Roller Guide Rails

REPLACE YOUR CURRENT ENTRANCE GUIDE RAIL

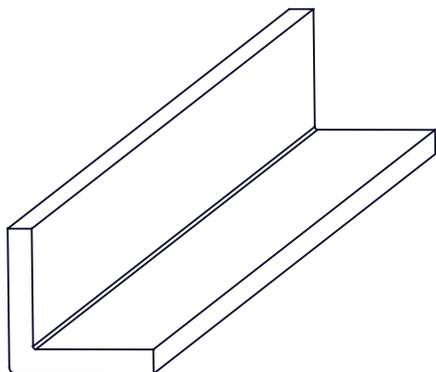
| Part No | Description | Price |
|---------|---|----------|
| 629001 | CERGG-Entrance Roller Guide Rail (42" - 12' x 3') Galvanized..... | \$390.00 |
| 629002 | CERGSS-Entrance Roller Guide Rail (42" - 12' x 3') Stainless Steel..... | \$475.00 |



Fiberglass Grating

HIGH STRENGTH MOLDED FIBERGLASS GRATING IS A ONE PIECE, HIGH STRENGTH, LOW WEIGHT, CORROSION RESISTANT FLOOR GRATING

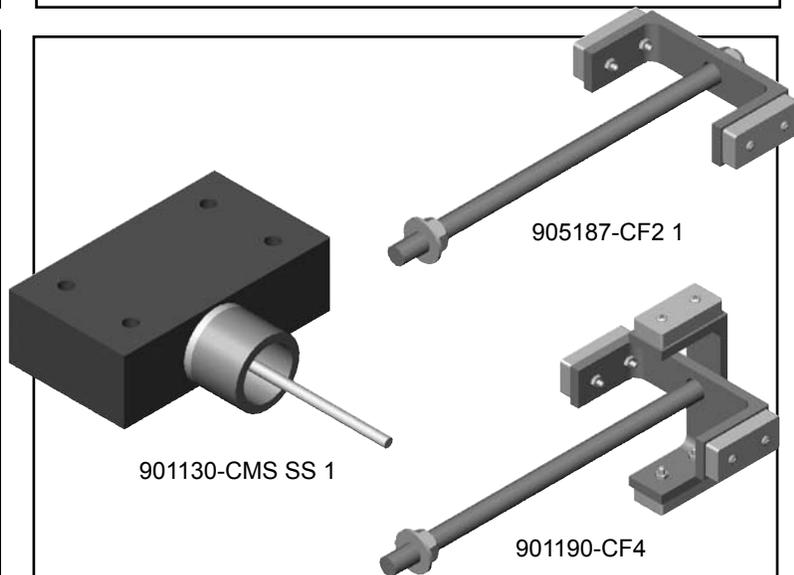
| Part No | Description | Price |
|---------|---|----------|
| 000999 | Fiberglass Grating YELLOW Rail 3ft Wide x 10ft Long x 1 1/2" Depth..... | \$425.00 |
| 000593 | 4ft Wide x 12ft Long x 1 1/2" Depth..... | \$682.00 |



Yellow UHMW Angle

Sold by the Foot in 10 foot Increments

| Part No | Description | Price |
|---------|---|------------|
| 990079 | Angle-UHMW YELLOW, 3" x 3" x 1/2" (sold by the foot)..... | \$9.95/ft |
| 990179 | Angle-UHMW YELLOW, 3 1/2" x 3 1/2" x 1/2" (sold by the foot)..... | \$10.95/ft |



CONVEYOR PULSE GENERATOR DEVICES

| Part No | Description | Price |
|---------|---------------------------------------|---------|
| 901187 | CF2-Conveyor Two Pulse Flag..... | \$79.00 |
| 901190 | CF4-Conveyor Four Pulse Flag..... | 90.00 |
| 901130 | CMS- Conveyor Micro Switch..... | 225.00 |
| 901120 | CPPD- PECO Pulse Detector System..... | 995.00 |

Car Per Hour Calculations

INFORMATION NEEDED:

- Average Spacing between Cars (SC) = _____ ft.
- Conveyor Speed (FPS) = _____ ft/sec.
- Average Car Length (CL) = _____ ft.

CALCULATING CONVEYOR SPEED IN FPS:

Mark off 50' on the conveyor. Time how long in seconds it takes the roller to move the 50'. Take 50' and divide by the total seconds to arrive at your conveyor speed. This number is in FPS.

CALCULATING SPACING BETWEEN CARS:

This calculation will vary on the operations of your personnel at the car wash. How close they load the cars together will dictate the spacing. Spacing of your rollers also will affect your average spacing. Example: If you are using 7'-4" roller spacing a reasonable spacing between vehicles would be 10'. If using 3'-6" roller spacing then use 7'.

CALCULATING AVERAGE CAR LENGTH:

This calculation will vary across the country and depend if you are in the city or a rural area. A good number to start with would be 15'-6". If you want to calculate your average car length, you will have to take a sampling of cars lengths over a month's time at your location.

CARS PER HOUR FORMULA:

$$[(FPS) \times 3600 \text{ SEC/HOUR}] \div (CL+SC) = CPH$$

CPH QUICK REFERENCE CHART

| Calculating Cars per Hour (CPH) if Feet Per Second (FPS) is Known | | |
|--|---|--|
| CPH | ft/sec @ 7' Spacing Between Vehicles | ft/sec @ 11' Spacing Between Vehicles |
| 40 | .2500 FPS | .2944 FPS |
| 50 | .3125 | .3681 |
| 60 | .3750 | .4417 |
| 70 | .4375 | .5153 |
| 80 | .5000 | .5889 |
| 90 | .5625 | .6625 |
| 100 | .6250 | .7361 |
| 110 | .6875 | .8097 |
| 120 | .7500 | .8833 |
| 130 | .8125 | .9569 |
| 140 | .8750 | 1.0306 |
| 150 | .9375 | 1.1042 |
| 160 | 1.0000 | 1.1778 |
| 170 | 1.0625 | 1.2514 |
| 180 | 1.1250 | 1.3250 |
| 190 | 1.1875 | 1.3986 |
| 200 | 1.2500 | 1.4722 |

The above information assumes that the average vehicle length is 15'-6".

Calculating Feet Per Second

CALCULATING CONVEYOR SPEED IN FEET PER SECOND (FPS):

Mark off 20' on the conveyor. Time how long in seconds it takes the roller to move the 20'. Take 20' and divide by the total seconds to arrive at your conveyor speed. This number is in FPS.

FPS QUICK REFERENCE CHART

| Calculating Feet per Second (FPS) if the number of seconds | | |
|--|-----------------------------|----------|
| Seconds for a roller to travel 20' | Feet per Second | |
| 90 Seconds | Too Slow!!!!!! | |
| 80 seconds | .2500 FPS | 40 CPH* |
| 75 | .2667 | |
| 70 | .2857 | |
| 65 | .3077 | |
| 64 | .3125 | 50 CPH* |
| 63 | .3175 | |
| 62 | .3226 | |
| 61 | .3279 | |
| 60 | .3333 | |
| 55 | .3636 | |
| 54 | .3704 | |
| 53 | .3774 | 60 CPH* |
| 52 | .3846 | |
| 51 | .3922 | |
| 50 | .4000 | |
| 46 | .4348 | 70 CPH* |
| 45 | .4444 | |
| 40 | .5000 | 80 CPH* |
| 36 | .5556 | 90 CPH* |
| 35 | .5714 | |
| 32 | .6250 | 100 CPH* |
| 30 | .6667 | |
| 27 | .7407 | 120 CPH* |
| 25 | .8000 | |
| 20 | 1.0000 | 160 CPH* |
| 18 | 1.1111 | 180 CPH* |
| 15 | 1.3333 | |
| 10 | Too Fast!!! Slow it Down!!! | |

* CPH is calculate with information that assumes average vehicle length is 15'-6" and average vehicle spacing is 7'. See Cars per Hour Calculation Chart.

Standard Car Wash
PARTS & SUPPLIES

PECO Equipment
REPLACEMENT PARTS

Conveyor Parts

Car Wash
SYSTEMS

Car Wash
EQUIPMENT



D88K Pintle / Steel Pintle Chain

AMERICAN MADE

D88K CHAIN \$7.40 PER FOOT

PITCH -2.609"

WIDTH: 2.125"

SOLD BY MULTIPLE PITCH LENGTH ONLY

IF YOU PURCHASE \$2,750.00 WORTH OF CHAIN AT ONE TIME, FREE FREIGHT!!!

| Part No | Description | Price |
|---------|--|---------|
| 319044 | Chain-Riveted, D88K 29-Pitch Pre-Cut (6'6")..... | \$50.76 |
| 319045 | Chain-Riveted, D88K 16-Pitch Pre-Cut (3'6")..... | 25.38 |
| 319046 | Chain-Riveted, D88K 33-Pitch Pre-Cut (7'4")..... | 53.17 |

If you require a different length of chain please call and PECO will order it for you.



D88K ACCESSORIES

| Part No | Description | Price |
|---------|--|---------|
| 317552 | Chain, 88K Pinned & Cottered (Unpainted) (Sold by the foot)..... | \$13.13 |
| 244269 | Chain-Link, D88K M-2 (Unpainted)..... | 9.50 |
| 313015 | Chain-Pin, D88K (No Tab)..... | 1.47 |
| 313016 | Chain-Pin, D88K (With Tab)..... | 1.47 |
| 313017 | Chain-Pin, D88K Extra Long..... | 3.50 |
| 020420 | Pin-Cotter-Pln, 1/8 x 3/4..... | \$.10 |
| 020422 | Pin-Cotter-SS, 1/8 x 3/4..... | \$.14 |



X458 Chain

X458 CHAIN \$6.95 PER FOOT

PITCH: 4.031"

WIDTH: 2.19"

SOLD BY 10' LENGTH ONLY

| Part No | Description | Price |
|---------|-------------------------------|---------|
| 319040 | Chain, X458 (10' Length)..... | \$89.50 |

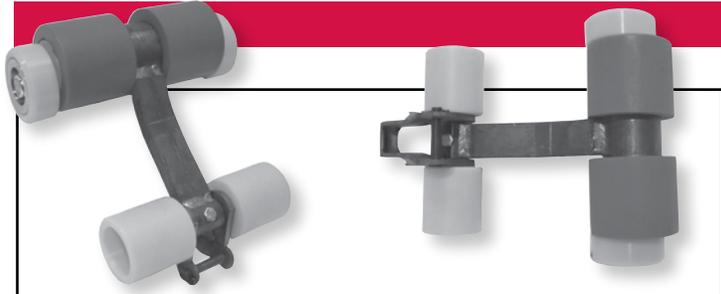


X458 ACCESSORIES

| Part No | Description | Price |
|---------|---|---------|
| 319039 | Chain-Link, X458 Roller..... | \$15.50 |
| 319041 | Chain-Block, X458 Interlink (Cast)..... | 4.35 |
| 319042 | Chain-Pin, X458..... | 2.75 |
| 319043 | Chain-Side Bar, X458..... | 5.80 |

**PECO can secure other types of chain.
Please Call us at 1-800-448-3946
for you specific needs!**

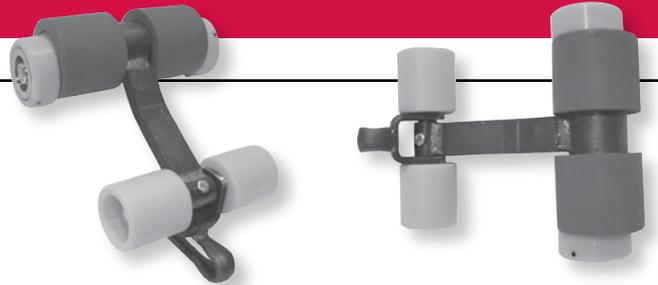
CONVEYOR PARTS - ROLLERS



PECO Plastic Roller D88k/Wide Idler

USE ONLY ON PECO CONVEYORS
USE WITH D88K CHAIN ONLY

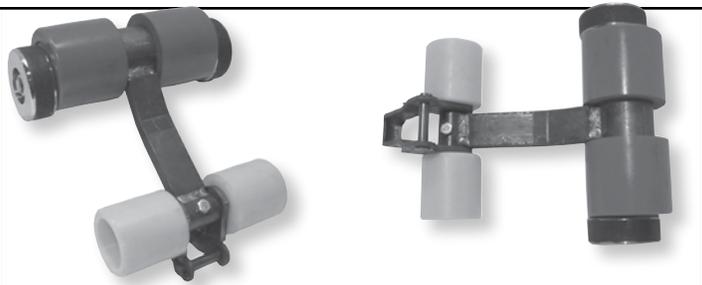
| Part No | Description | Price |
|---------|---|----------|
| 520000 | PP88W Peco Plastic Roller D88K/Wide Idler..... | \$120.00 |



PECO Plastic Roller X458/Wide Idler

USE ONLY ON PECO CONVEYORS
USE WITH X458 CHAIN ONLY

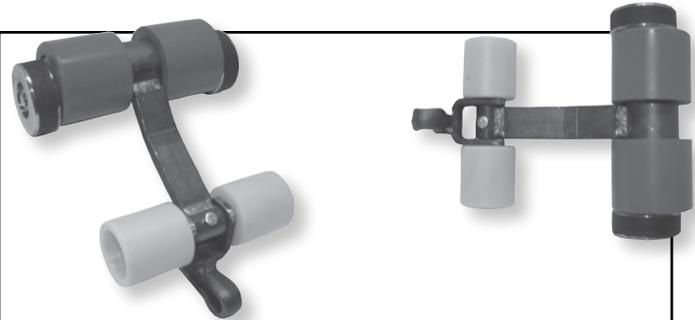
| Part No | Description | Price |
|---------|---|----------|
| 522000 | PP45W Peco Plastic Roller X458/Wide Idler..... | \$125.00 |



PECO Steel Roller D88k/Wide Idler

USE ONLY ON PECO CONVEYORS
USE WITH D88K CHAIN ONLY

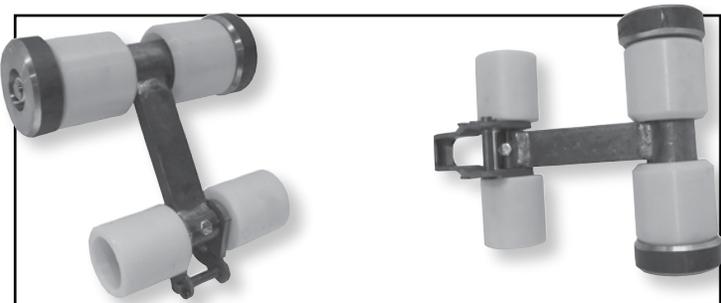
| Part No | Description | Price |
|---------|---|----------|
| 522010 | PS88W Peco Steel Roller D88K/Wide Idler..... | \$110.00 |



PECO Steel Roller X458/Wide Idler

USE ONLY ON PECO CONVEYORS
USE WITH X458 CHAIN ONLY

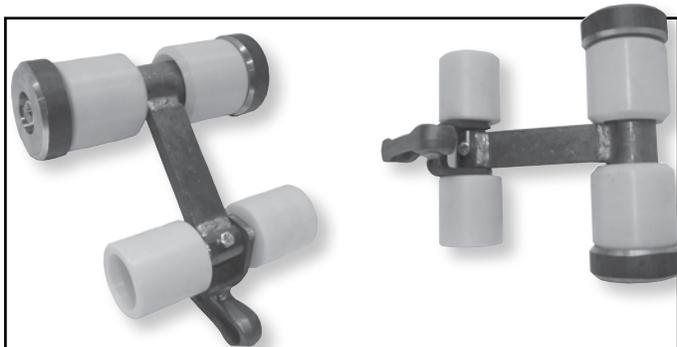
| Part No | Description | Price |
|---------|---|----------|
| 522020 | PS45W Peco Steel Roller X458/Wide Idler..... | \$115.00 |



4-Wheel Roller D88k/Wide Idler

USE THROUGHOUT THE INDUSTRY
WIDE IDLER IS 2 3/4"
USE WITH D88K CHAIN ONLY

| Part No | Description | Price |
|---------|-------------------------------------|---------|
| 481050 | 4W88W 4W-Roller D88K/Wide Idler.... | \$69.95 |



4-Wheel Roller X458/Wide Idler

USE ONLY ON PECO CONVEYORS
USE WITH X458 CHAIN ONLY

| Part No | Description | Price |
|---------|-------------------------------------|---------|
| 481055 | 4W45W 4W Roller X458/Wide Idler.... | \$74.95 |

Standard Car Wash
PARTS & SUPPLIES

PECO Equipment
REPLACEMENT PARTS

Conveyor Parts

Car Wash
SYSTEMS

Car Wash
EQUIPMENT

Conveyor Parts - Chain & Rollers Needed Chart

| Conveyor length in feet | X458 10' Pieces | ROLLER SPACING ON CONVEYOR | | | | | |
|-------------------------|-----------------|----------------------------|------------|---------------|------------|---------------|------------|
| | | 7'-4" | | 3'-6" & 3'-8" | | 6'-6" & 6'-8" | |
| | | Rollers | D88k Chain | Rollers | D88k Chain | Rollers | D88k Chain |
| 40 | 8 | 11 | 10 | 22 | 21 | 12 | 11 |
| 45 | 9 | 12 | 11 | 24 | 23 | 14 | 13 |
| 50 | 10 | 14 | 13 | 27 | 26 | 15 | 14 |
| 55 | 11 | 15 | 14 | 30 | 29 | 17 | 16 |
| 60 | 12 | 16 | 15 | 32 | 31 | 18 | 17 |
| 65 | 13 | 18 | 17 | 35 | 34 | 20 | 19 |
| 70 | 14 | 19 | 18 | 38 | 37 | 21 | 20 |
| 75 | 15 | 20 | 19 | 41 | 40 | 23 | 22 |
| 80 | 16 | 22 | 21 | 43 | 42 | 25 | 24 |
| 85 | 17 | 23 | 22 | 46 | 45 | 26 | 25 |
| 90 | 18 | 24 | 23 | 49 | 48 | 28 | 27 |
| 95 | 19 | 26 | 25 | 51 | 50 | 29 | 28 |
| 100 | 20 | 27 | 26 | 54 | 53 | 31 | 30 |
| 105 | 21 | 29 | 28 | 57 | 56 | 32 | 31 |
| 110 | 22 | 30 | 29 | 60 | 59 | 34 | 33 |
| 115 | 23 | 31 | 30 | 62 | 61 | 35 | 34 |
| 120 | 24 | 33 | 32 | 65 | 64 | 37 | 36 |
| 125 | 25 | 34 | 33 | 68 | 67 | 38 | 37 |
| 130 | 26 | 35 | 34 | 70 | 69 | 40 | 39 |
| 135 | 27 | 37 | 36 | 73 | 72 | 41 | 40 |
| 140 | 28 | 38 | 37 | 76 | 75 | 43 | 42 |
| 145 | 29 | 39 | 38 | 78 | 77 | 45 | 44 |
| 150 | 30 | 41 | 40 | 81 | 80 | 46 | 45 |
| 155 | 31 | 42 | 41 | 84 | 83 | 48 | 47 |
| 160 | 32 | 43 | 42 | 87 | 86 | 49 | 48 |
| 165 | 33 | 45 | 44 | 89 | 88 | 51 | 50 |
| 170 | 34 | 46 | 45 | 92 | 91 | 52 | 51 |
| 175 | 35 | 47 | 46 | 95 | 94 | 54 | 53 |
| 180 | 36 | 49 | 48 | 97 | 96 | 55 | 54 |
| 185 | 37 | 50 | 49 | 100 | 99 | 57 | 56 |

CONVEYOR PARTS - ROLLER PARTS



Wide Idler
2 1/2" O.D. • 2 3/4" Long • 7/8" Bore

| Part No | Description | Price |
|---------|--|--------|
| 265827 | RO-Wheel, Wide Idler 2 3/4" long UHMW | \$4.80 |



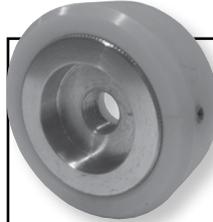
Idler Shaft
7/8" Shaft • Threaded end & Welded Washer

| Part No | Description | Price |
|---------|--------------------------------------|--------|
| 520036 | RO-Shaft, Idler | \$6.00 |
| 257616 | RO-Shaft, Idler (Heat Treated) | \$7.75 |



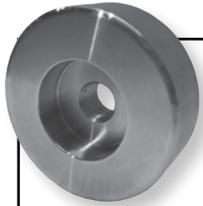
Outboard Shaft
3/4" Shaft • Heat Treated

| Part No | Description | Price |
|---------|--|--------|
| 520002 | RO-Shaft, Outboard (Heat Treated)..... | \$9.00 |
| 520016 | RO-Shaft, Outboard..... | 7.75 |



Outboard Wheel Plastic
UHMW Outer • Steel Insert Inner

| Part No | Description | Price |
|---------|---|---------|
| 520005 | RO-Outboard Wheel, PECO Roller (UHMW w/Steel Insert) | \$13.00 |



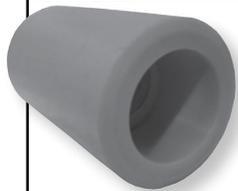
Outboard Wheel Steel

| Part No | Description | Price |
|---------|---|--------|
| 520011 | RO-Outboard Wheel, PECO Roller (Steel) | \$8.50 |



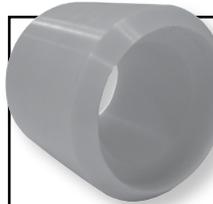
PECO Roller Pusher
• 3 1/2" O.D. • 3" Long • 2 3/16" Bore
• Polyurethane

| Part No | Description | Price |
|---------|---|---------|
| 520007 | RO- Pusher, Polyurethane PECO Roller | \$11.30 |



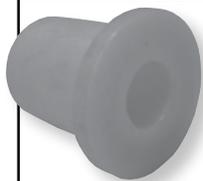
6W Roller Pusher
• 2" O.D. • 4" Long • 1" Bore
• Use throughout the Industry

| Part No | Description | Price |
|---------|----------------------------|--------|
| 270992 | RO- Wheel, Pusher 2" | \$3.90 |



4 Wheel Roller Pusher

| Part No | Description | Price |
|---------|----------------------------------|--------|
| 520030 | RO- Pusher-UHMW, 4W Roller | \$7.65 |



4 Wheel Roller Insert Bushing

| Part No | Description | Price |
|---------|--------------------------------------|--------|
| 520032 | RO- Bush-UHMW, Insert 4W Roller..... | \$5.00 |



4 Wheel Roller Outboard Wheel

| Part No | Description | Price |
|---------|------------------------------|--------|
| 520034 | RO-Outboard, 4W Roller | \$8.30 |

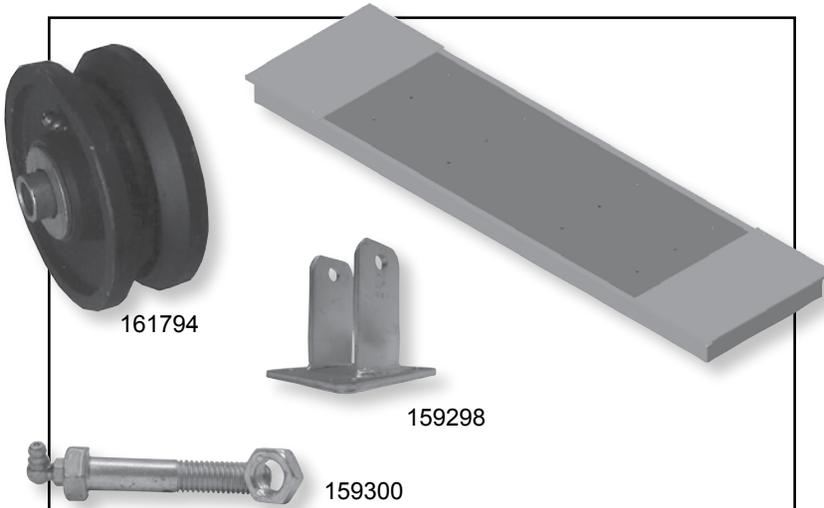
Standard Car Wash
PARTS & SUPPLIES

PECO Equipment
REPLACEMENT PARTS

Conveyor Parts

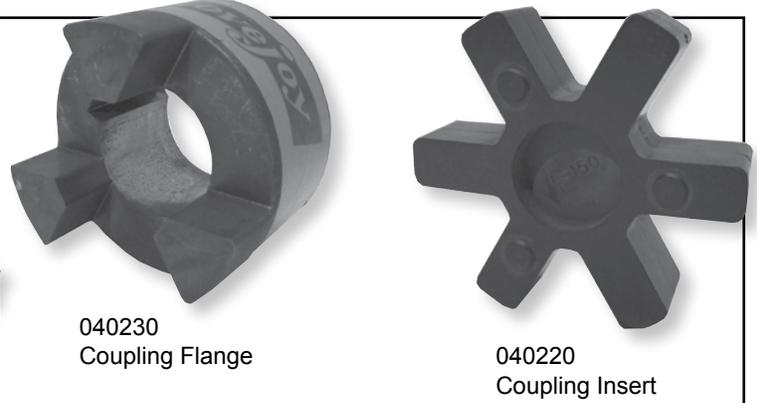
Car Wash
SYSTEMS

Car Wash
EQUIPMENT



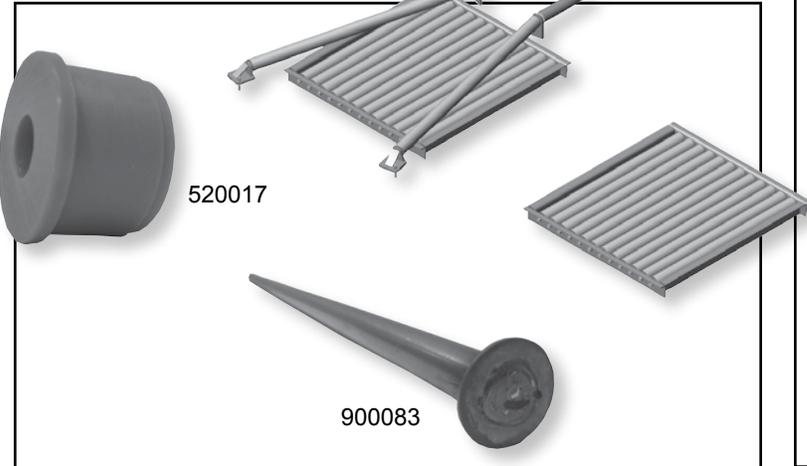
SLIDE PLATE CORRELATOR PARTS

| Part No | Description | Price |
|---------|--|----------|
| 161794 | CR-Wheel-Painted, w/bushing..... | \$18.65 |
| 159298 | CR-Bracket-PLT..... | \$7.75 |
| 159299 | CR-Axle, Correlator Wheel (w/Nut)..... | \$4.47 |
| 159300 | CR-Axle-PLT, w/Zerk..... | \$13.25 |
| 629001 | CERGG Entrance Roller Guides (Galvanized)..... | \$400.00 |
| 629002 | CERGGs Entrance Roller Guides (Stainless Steel)..... | \$475.00 |



LOVE JOY COUPLING FLANGES

| Part No | Description | Price |
|---------|---|---------|
| 040103 | Coupling Flange, L-095 5/8"..... | \$12.25 |
| 040105 | Coupling Flange, L-095 3/4" (PHS3/5)..... | 10.50 |
| 040106 | Coupling Flange, L-095 7/8" (PHS3)..... | 10.50 |
| 040107 | Coupling Flange, L-095 1-1/8" (PHS3)..... | 11.30 |
| 040210 | Coupling Flange, L-099 7/8" (Hyd.Mitter)..... | 13.40 |
| 040211 | Coupling Flange, L-099 1-1/8"..... | 13.40 |
| 040110 | Coupling Flange, L-100 3/4" (PHS10)..... | 24.95 |
| 040109 | Coupling Flange, L-100 1-3/8" (PHS10)..... | 19.60 |
| 040112 | Coupling Flange, L-110 7/8" (PHS 20 HP)..... | 40.95 |
| 040113 | Coupling Flange, L-110 1-5/8" (PHS 20 HP) .. | 40.95 |
| 000102 | Coupling Flange, L-150 7/8"..... | 34.50 |
| 040225 | Coupling Flange, L-150 1-1/8"..... | 34.60 |
| 040235 | Coupling Flange, L-150 1-5/8"..... | 35.85 |
| 040230 | Coupling Flange, L-150 1-7/8"..... | 34.60 |



PECO ROLLER CORRELATOR PARTS

| Part No | Description | Price |
|---------|--|--------|
| 520017 | Bush-UHMW, P3/CERG/DTGR (Red)..... | \$4.95 |
| 900082 | CR-Shaft-STL, P-3 Correlator..... | 13.45 |
| 900083 | CR-Roller-SS, P-3ss (Complete ASSY)..... | 97.98 |
| 629001 | CERGG Entrance Roller Guides (Galvanized)..... | 400.00 |
| 629002 | CERGGs Entrance Roller Guides (Stainless Steel)..... | 475.00 |

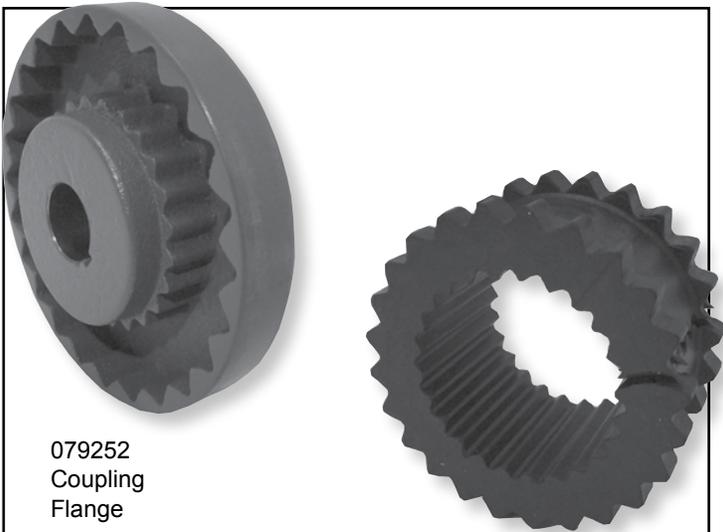
LOVE JOY COUPLING INSERTS

| Part No | Description | Price |
|---------|---|---------|
| 040108 | Coupling Insert, L-095 (PHS3/5)..... | \$11.50 |
| 040217 | Coupling Insert, L-099 (Hytrell)..... | 44.95 |
| 040211 | Coupling Insert, L-100 (PHS10)..... | 13.40 |
| 040214 | Coupling Insert, L-110 (PHS 20 HP)..... | 10.24 |
| 040220 | Coupling Insert, L-150 (PHS 20 HP)..... | 19.90 |

FOR MORE PARTS... AND CURRENT PRICES

SHOP ONLINE 24/7

www.pecocarwash.com



079252
Coupling
Flange



075671
Coupling
Insert

WOODS COUPLING FLANGES

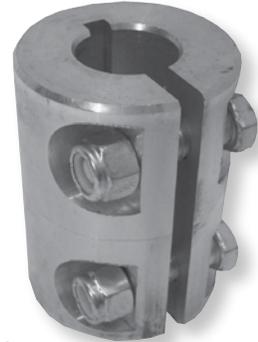
| Part No | Description | Price |
|---------|------------------------------|--------|
| 193375 | Coupling Flange, 3J x 5/8" | \$7.00 |
| 193373 | Coupling Flange, 4J x 3/4" | 8.15 |
| 040100 | Coupling Flange, 5J x 1-1/8" | 11.50 |
| 040204 | Coupling Flange, 6J x 5/8" | 13.55 |
| 040206 | Coupling Flange, 6J x 1" | 13.50 |
| 040208 | Coupling Flange, 6J x 1-1/4" | 13.60 |
| 079251 | Coupling Flange, 7S x 3/4" | 22.15 |
| 079252 | Coupling Flange, 7S x 7/8" | 22.15 |
| 079253 | Coupling Flange, 7S x 1" | 22.15 |
| 079254 | Coupling Flange, 7S x 1-1/8" | 22.55 |
| 079255 | Coupling Flange, 7S x 1-1/4" | 28.05 |
| 079256 | Coupling Flange, 7S x 1-3/8" | 28.05 |
| 079257 | Coupling Flange, 7S x 1-5/8" | 22.15 |
| 193395 | Coupling Flange, 8S x 7/8" | 29.20 |
| 193396 | Coupling Flange, 8S x 1-1/4" | 28.45 |
| 193397 | Coupling Flange, 8S x 1-3/8" | 30.65 |
| 193398 | Coupling Flange, 8S x 1-5/8" | 29.20 |

WOODS COUPLING INSERTS

| Part No | Description | Price |
|---------|-----------------------|--------|
| 193367 | Coupling Insert, 3JES | \$4.85 |
| 193371 | Coupling Insert, 4JES | 8.25 |
| 040101 | Coupling Insert, 5JES | 14.00 |
| 028845 | Coupling Insert, 6JES | 19.40 |
| 075671 | Coupling Insert, 7JES | 26.75 |
| 193391 | Coupling Insert, 8JES | 37.40 |



231753
Solid Steel Coupling 1"



231754
Solid Aluminum Coupling 1"

SOLID COUPLINGS

| Part No | Description | Price |
|---------|--|---------|
| 231753 | Coupling-Steel, 1" 2-Bolt Split | \$30.00 |
| 231754 | Coupling-Aluminum, 1" 2-Bolt Split | 16.65 |
| 231755 | Coupling-Aluminum, 1" x 1-1/4" 2-Bolt Split | 37.05 |
| 510024 | CN-Fork Coupling-Aluminum, 7/8" x 1-3/16" 2-Bolt Split | 51.85 |



001003
Coupling Guard

COUPLING GUARD

| Part No | Description | Price |
|---------|-------------------------------|---------|
| 001003 | PS-Coupling Guard-Alum, R1000 | \$97.00 |

Standard Car Wash
PARTS & SUPPLIES

PECO Equipment
REPLACEMENT PARTS

Correlator Parts, Couplings, Flanges & Sleeves
Car Wash

SYSTEMS

Car Wash
EQUIPMENT



027813 Norgren Cylinder, 1 1/2" Bore x 6" Stroke w/Stainless Steel Shaft

NORGREN CYLINDERS

| Part No | Description | Price |
|---------|---|----------|
| 060889 | Cylinder-Norgren, 1 1/2" Bore x 4" Stroke (w/SS Shaft)..... | \$218.55 |
| 027813 | Cylinder-Norgren, 1 1/2" Bore x 6" Stroke (w/SS Shaft)..... | 240.15 |
| 027822 | Cylinder-ARO, 1 1/2" Bore x 9" Stroke (w/SS Shaft)..... | 216.74 |
| 027750 | Cylinder-Norgren, 1 1/2" Bore x 20" Stroke (w/SS Shaft)..... | 325.00 |
| 027820 | Cylinder-Norgren, 1 1/2" Bore x 36" Stroke (w/SS Shaft)..... | 405.75 |
| 027830 | Cylinder-Norgren, 5" Bore x 9" Stroke (Ultimate Conveyor) (w/SS Shaft)..... | 464.45 |

NORGREN CYLINDERS REPAIR KITS

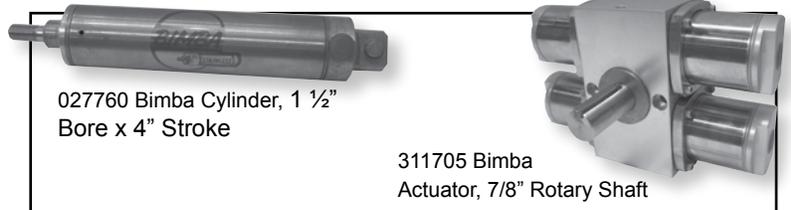
| | | |
|--------|--|---------|
| 027835 | Kit-Norgren, Seals & Bearing (1 1/2" Bore x 4"/6"/36" Stroke)..... | \$40.05 |
| 027838 | Kit-Norgren, Seals & Bearing (1 1/2" Bore x 20" Stroke)..... | 40.05 |
| 027836 | Kit-Norgren, Seals & Bearing (2 1/2" Bore x 10" Stroke)..... | 63.45 |
| 027837 | Kit-Norgren, Seals & Bearing (5" Bore x 9" Stroke)..... | 125.15 |
| 027832 | Kit-TRD, Seal (1 1/2" Bore x 20" Stroke)..... | 25.30 |
| 027831 | Kit-TRD, Seal (5" Bore x 9" Stroke)..... | 90.75 |



711001 Clearfold Windoor Replacement Cylinder (4 required for each door)

CLEARFOLD WINDOOR REPLACEMENT CYLINDER

| Part No | Description | Price |
|---------|--|----------|
| 711001 | Cylinder-Clearfold, 1 1/2" x 10" Windoor | \$317.95 |



027760 Bimba Cylinder, 1 1/2" Bore x 4" Stroke

311705 Bimba Actuator, 7/8" Rotary Shaft

BIMBA CYLINDERS

| Part No | Description | Price |
|---------|--|---------|
| 027760 | Cylinder-Bimba, 1 1/2" Bore x 4" Stroke | \$64.30 |
| 027755 | Cylinder-Bimba, 1 1/2" Bore x 6" Stroke..... | 89.50 |
| 311688 | Cylinder-Bimba, 2" Bore x 6" Stroke..... | 107.35 |
| 311690 | Cylinder-Bimba, 2" Bore x 8" Stroke..... | 141.20 |
| 311600 | Cylinder, 3" Bore x 6" Stroke (Deluxe Conveyor)..... | 290.50 |
| 311705 | CN-Actuator-Bimba, 7/8" Rotary Shaft (Ultimate/Deluxe Conveyor)..... | 466.60 |

BIMBA CYLINDER ACCESSORIES

| | | |
|--------|-------------------------------|--------|
| 075585 | CYL-Clevis-Bimba, D231-1..... | \$9.25 |
|--------|-------------------------------|--------|



027805

060897

027822

027814

027807

ARO CYLINDERS

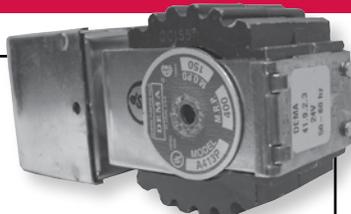
| Part No | Description | Price |
|---------|--|---------|
| 027805 | Cylinder-ARO, 1 1/16" Bore x 2" Stroke (w/SS Shaft)..... | \$69.65 |
| 027822 | Cylinder-ARO, 1 1/2" Bore x 9" Stroke (w/SS Shaft)..... | 216.74 |
| 027810 | Cylinder-ARO, 3 1/4" Bore x 6" Stroke (w/SS Shaft)..... | 460.55 |
| 500335 | Cylinder-ARO, 2" Bore x 6" Stroke (w/SS Shaft)..... | 243.25 |

ARO CYLINDER ACCESSORIES

| | | |
|--------|--|---------|
| 027806 | CYL-Clevis-ARO, 1 1/16" Cylinder | \$16.75 |
| 060897 | CYL-Clevis, Fabco (w/o Pin)..... | 24.00 |
| 027807 | CYL-Mount-ARO, MPZ..... | 51.35 |
| 027814 | CYL-Pin & Cotter Key-ARO..... | 8.20 |



901154 Dema Coil 1/4"



901157 Dema Coil 3/8"

| Part No | Description | Price |
|---------|--|---------|
| 901154 | Coil-Dema, 1/4" 24 VAC Solenoid | \$17.10 |
| 901155 | Coil-Dema, 1/4" 120 VAC Solenoid | 19.65 |
| 901157 | Coil-Dema, 3/8" 24VAC Solenoid | 19.75 |
| 901158 | Coil-Dema, 3/8" 120 VAC Solenoid | 19.75 |



100032 PECO Light Bar Wiring Hanes

| Part No | Description | Price |
|---------|--------------------------------------|---------|
| 100032 | Wiring Harness, 8 Sockets (Set)..... | \$42.05 |



068924 Continuous Counter

| Part No | Description | Price |
|---------|---|---------|
| 036533 | Counter, 24 VAC Continuous Count | \$44.00 |
| 068924 | Counter, 110 VAC Continuous Count | 63.45 |

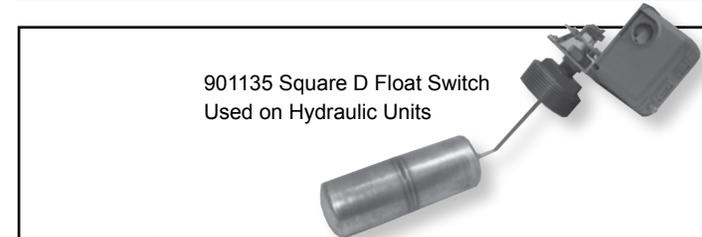


970130 Flasher
Runs two-3amp Signs



970129 Flasher
Runs one 2amp Sign

| Part No | Description | Price |
|---------|--|---------|
| 970129 | FLSH Light Bar Flasher 2 (Solid State) | \$97.00 |
| 970130 | FLSH2 Light Bar Flasher 1 (Motorized)..... | 69.00 |



901135 Square D Float Switch
Used on Hydraulic Units

| Part No | Description | Price |
|---------|-------------------------------|----------|
| 901135 | Switch, Float (Square D)..... | \$126.65 |



901159 Skinner Coil

| Part No | Description | Price |
|---------|--------------------------------------|---------|
| 901159 | Coil-Skinner, 24 VAC Solenoid | \$35.20 |
| 901156 | Coil-Skinner, 120 VAC Solenoid | 35.20 |



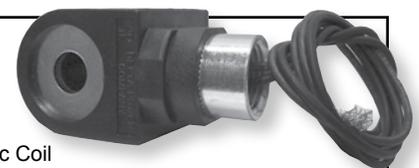
084932 Mac Coil

| Part No | Description | Price |
|---------|-------------------------|---------|
| 084932 | Coil-Mac, 24 VAC | \$15.75 |
| 084932b | Coil-Mac, 120 VAC | 15.75 |



901400 Mead Coil

| Part No | Description | Price |
|---------|--------------------------|--------|
| 901400 | Coil-Mead, 24 VAC | \$9.60 |
| 901401 | Coil-Mead, 120 VAC | 10.60 |

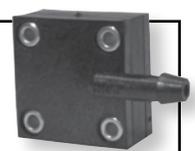


901150 Delta Hydraulic Coil

| Part No | Description | Price |
|---------|---|---------|
| 901150 | Coil-Delta, 3/8" 24 VAC Hydraulic Solenoid | \$35.45 |
| 901151 | Coil-Delta, 3/8" 120 VAC Hydraulic Solenoid | 36.20 |



901127 Tire Sensor Switch



901104 Pressure Switch

| Part No | Description | Price |
|---------|---|----------|
| 901127 | Tire Sensor Switch..... | \$150.00 |
| 901104 | Switch-Plastic, Low Pressure Trip | \$31.25 |

Cylinders & Accessories

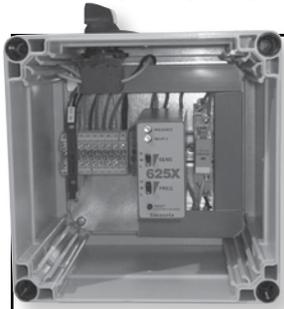
Standard Car Wash
PARTS & SUPPLIES

PECO Equipment
REPLACEMENT PARTS

Car Wash
SYSTEMS

Electric Accessories

Car Wash
EQUIPMENT



901125 Loop Detector Control Station w/Override Switch



901101 Sarasota Loop Detector Control



901123 In-Ground Loop



901170 Loop Detector Pad

LOOP DETECTOR ACCESSORIES

| Part No | Description | Price |
|---------|---|----------|
| 901125 | Loop Detector Control Box Only (24VAC) (W/Foot Brkts) | \$850.00 |
| 901125b | Loop Detector Control Box Only (110VAC) (W/Foot Brkts)..... | 850.00 |
| 901101 | Detector-Sarasota, Loop 625X (24VAC) (W/O Harness – 11 PIN)..... | 291.70 |
| 901101b | Detector-Sarasota, Loop 625X (110VAC) (W/O Harness – 11 PIN)..... | 291.70 |
| 901170 | Pad, Loop Detector "Pad Only"..... | 469.50 |
| 901123 | Loop, Inground For Loop Detector..... | 150.00 |



901304 Pantron Amplifier 11 Pin Socket Series



901300 Pantron Amplifier Din Mount Series



901302 Pantron Transmitter Eye



901303 Pantron Receiver Eye

PANTRON PHOTO EYE ACCESSORIES

| Part No | Description | Price |
|---------|---|----------|
| 901300 | Amplifier-Pantron, DIN Mount (24VAC) | \$131.95 |
| 901300b | Amplifier-Pantron, DIN Mount (120VAC) | 131.95 |
| 901304 | Amplifier-Pantron, 11-Pin Socket Mount (24VAC) | 149.60 |
| 901304b | Amplifier-Pantron, 11-Pin Socket Mount (120VAC) | 149.60 |
| 901302 | Transmitter-Pantron, 12MM Infra-Red (15-Meter Cable)..... | 49.99 |
| 901303 | Receiver-Pantron, 12MM Infra-Red (15-Meter Cable)..... | 89.60 |



901740 Photo-Eye System "Gate Detector"

- Pre-Wired Control Box w/Override Switch
- Freestanding Eye Stands
- Fully Adjustable Head Assembly for Easy Line Up

| Part No | Description | Price |
|---------|--|-----------|
| 901740 | PECO Photo-Eye System "Presence Detector" 24 VAC..... | \$1160.00 |
| 901740b | PECO Photo-Eye System "Presence Detector" 120 VAC..... | 1160.00 |



901741 Photo-Eye System "Roller Detector"

- Pre-Wired Control Box w/Override Switch
- Eye Bracket included w/Weld on Nut

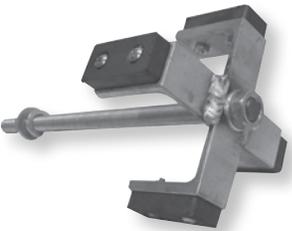
| Part No | Description | Price |
|---------|---|-----------|
| 901741 | PECO Photo-Eye System "Roller Detector" 24 VAC | \$1050.00 |
| 901741b | PECO Photo-Eye System "Roller Detector" 120 VAC | 1050.00 |



901130 Micro Switch



901187 2-Pulse Flag



901190 4-Pulse Flag

| Part No | Description | Price |
|---------|--------------------------------|----------|
| 901130 | CMS-Conveyor Micro Switch..... | \$225.00 |
| 901190 | CF4 Four Pulse Flag..... | 90.00 |
| 901187 | CF2 Two Pulse Flag | 79.00 |



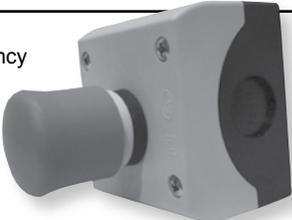
901120 PECO Pulse Detector System

- Remote Control Box- relocates pulse detector in the backroom
- Easy Maintenance & longer life than conveyor pit designs
- Uses the hydraulic return hose to sink with main gear box

HYDRAULIC REMOTE PULSE GENERATOR

| Part No | Description | Price |
|---------|--------------------------------------|----------|
| 901120 | CPPD PECO Pulse Detector System..... | \$995.00 |

901656 Emergency Stop Station

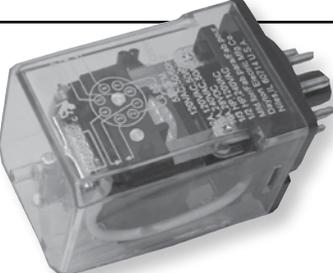


| Part No | Description | Price |
|---------|------------------------------------|----------|
| 901658 | Emergency Stop Station NEMA 4..... | \$100.00 |

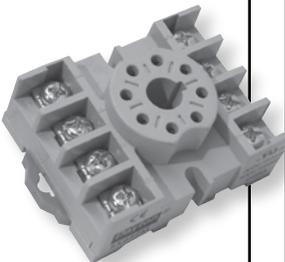
901658 Start Stop Station



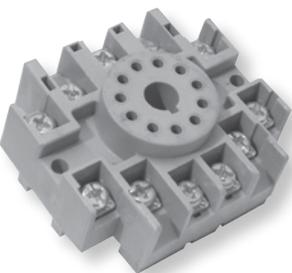
| Part No | Description | Price |
|---------|---------------------------------|----------|
| 901656 | Start Stop Station NEMA 4 | \$100.00 |



901305 Two Pole Relay 120 VAC



901308 8-Pin Socket Base



901309 11-Pin Socket Base

RELAYS & BASES

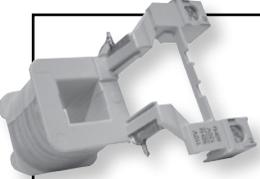
| Part No | Description | Price |
|---------|--|---------|
| 901147 | Relay, 24vac 2-Pole 10amp 8-Pin | \$25.55 |
| 901630 | Relay, 24vac 2-Pole 10amp 8-Pin (locking) | 31.00 |
| 901258 | Relay, 24vac 2-Pole 10amp 8-Pin (Push to Test) | 25.00 |
| 901305 | Relay, 24vac 2-Pole 10amp 8-Pin | 24.10 |
| 901308 | Socket, 8-Pin | 7.45 |
| 901309 | Socket, 11-Pin..... | 12.20 |

FOR MORE PARTS... AND CURRENT PRICES

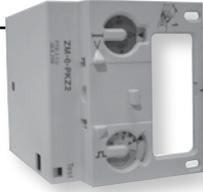
SHOP ONLINE 24/7

www.pecocarwash.com

Standard Car Wash PARTS & SUPPLIES
 PECO Equipment REPLACEMENT PARTS
 Car Wash SYSTEMS
 Car Wash EQUIPMENT



901209 PKZ-2 Coil
120vac



901201 PKZ-2 Overload
4-6amps



901202 PKZ-2
Contactor

Moeller PKZ-2 Series Contactors & Overloads

PKZ-2 OVERLOADS

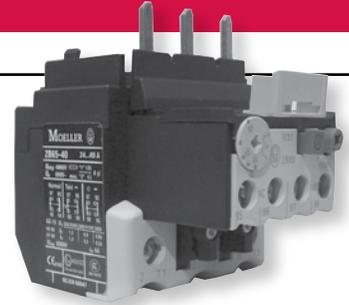
| Part No | Description | Price |
|---------|---|---------|
| 901203 | Overload Module, PKZ2ZM4 (2.4-4amp)..... | \$70.00 |
| 901201 | Overload Module, PKZ2ZM6 (4-6amp)..... | 70.00 |
| 901208 | Overload Module, PKZ2ZM10 (6-10amp)..... | 70.00 |
| 901204 | Overload Module, PKZ2ZM16 (10-16amp)..... | 70.00 |
| 901205 | Overload Module, PKZ2ZM25 (16-25amp)..... | 98.00 |
| 901206 | Overload Module, PKZ2ZM32 (25-32amp)... | 140.00 |
| 901207 | Overload Module, PKZ2ZM40 (32-40amp)... | 180.00 |

PKZ-2 CONTACTORS

901202 Contactor, Motor (w/o Overload) PKZ-2.....\$400.00

PKZ-2 COILS

901209 Coil-Moeller, 120vac (PKZ-2).....\$75.00



901211 DILM 50
Overload 24-40amp

Moeller DILM 50 Series Contactors & Overloads

DILM 50 OVERLOADS

| Part No | Description | Price |
|---------|--|---------|
| 901213 | Overload Module, Dryer Control Panel ZB65-16 (10-16amp)..... | \$89.95 |
| 901214 | Overload Module, Dryer Control Panel ZB65-24 (16-24amp)..... | 89.95 |
| 901211 | Overload Module, Dryer Control Panel ZB65-40 (24-40amp)..... | 121.00 |
| 901219 | Overload Module, Dryer Control Panel ZB65-57 (40-57amp)..... | 162.50 |

DILM 50 CONTACTORS

901210 Contactor, Motor (DILM 50).....\$248.50

DILM 50 COILS

901218 Coil-Moeller, 120vac (DILM 50).....\$90.50

Need to find a Contactor or Overload for your PECO Motor Control Center MCC or a PECO Dryer Starter Panel? Please refer to the chart below and on the next Page.

Moeller DILM 65 Series Contactors & Overloads



901217 DILM 65
Contactor

DILM 50 OVERLOADS

| Part No | Description | Price |
|---------|--|----------|
| 901215 | Overload Module, NZM7-63N-NA (63amps)..... | \$424.00 |
| 901216 | Overload Module, NZM7-100N-NA (100amps)..... | 476.00 |

DILM 65 CONTACTORS

901217 Contactor, Motor (DILM 65).....\$253.00

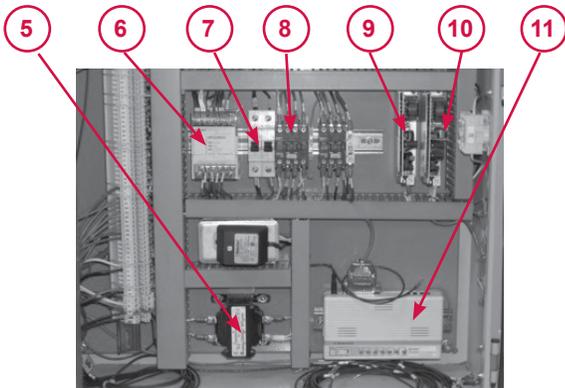
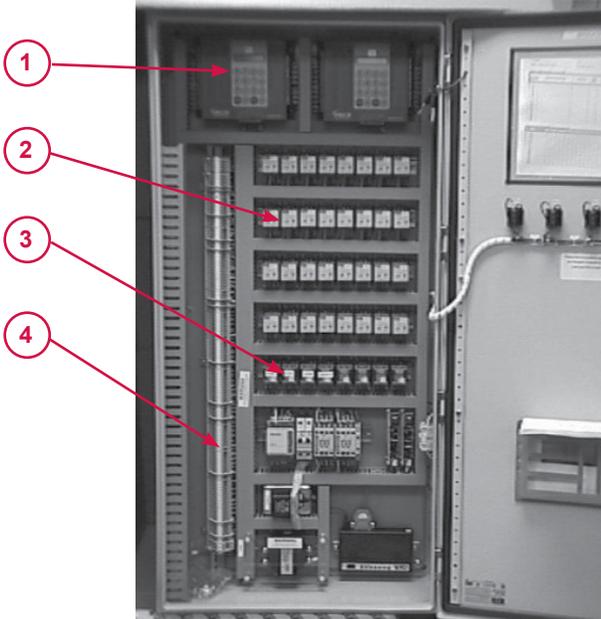
DILM 65 COILS

901218 Coil-Moeller, 120vac (DILM 65).....\$90.50

Dryer Starter Panel w/ PLC control - no disconnect

| H.P. | RPM | 3600 | DEVICE NAME | | PECO DRYERS | | | |
|-----------|----------|--------|-------------|--------|-------------|--------|----------|--------|
| 10 | 208 VAC | | 230 VAC | | 460 VAC | | 575 VAC | |
| | Vendor # | PECO # | Vendor # | PECO # | Vendor # | PECO # | Vendor # | PECO # |
| CONTACTOR | DILM50 | 901210 | DILM50 | 901210 | DILM50 | 901210 | DILM50 | 901210 |
| OVERLOAD | ZB65-40 | 901211 | ZB65-24 | 901214 | ZB65-16 | 901213 | ZB65*10 | 901217 |

| H.P. | RPM | 3600 | DEVICE NAME | | PECO DRYERS | | | |
|-----------|------------|--------|-------------|--------|-------------|--------|----------|--------|
| 15 | 208 VAC | | 230 VAC | | 460 VAC | | 575 VAC | |
| | Vendor # | PECO # | Vendor # | PECO # | Vendor # | PECO # | Vendor # | PECO # |
| CONTACTOR | DILM50 | 901210 | DILM50 | 901210 | DILM50 | 901210 | DILM50 | 901210 |
| OVERLOAD | ZB65-57-40 | 901219 | ZB65-40 | 901211 | ZB65-24 | 901214 | ZB65-16 | 901213 |



NAVIGATOR REPLACEMENT PARTS

| Ref. | Item No. | Description | Price |
|------|----------|--|-----------|
| 1 | 901600 | Nav-Controller, 16 Function Only..... | \$1965.00 |
| 2 | 901630 | Nav-Relay, 8-Pin 24VAC (Locking)..... | 31.00 |
| 3 | 901258 | Relay, 24 VAC (Indication Light) (Push to test) | 25.00 |
| 4 | 901632 | Nav-Block, Terminal Wiring..... | 2.00 |
| 5 | 901643 | Nav-Transformer, TR1 120V/24VAC 100VA..... | 92.59 |
| 6 | 901636 | Nav-Plc, Fxon-10 | 508.35 |
| 7 | 901642 | Nav-Circuit Breaker, 4 AMP | 75.00 |
| 8 | 901638 | Nav-Relay, MCR 24VAC 3-Pole | 75.00 |
| 9 | 901641 | Nav-ITCE Power Supply (24VDC/1.1A) | 157.41 |
| 10 | 901640 | Nav-ITCM Power Supply (12VDC/2.1A) | 157.41 |
| 11 | 901646 | Nav-Modem, SNF50 | 277.80 |

NEW! Direct Network Interface.

Eliminate the need for a modem and telephone line, connect directly to your network and the internet.

| Part No | Description | Price |
|---------|-----------------------------------|----------|
| 901627 | Navigator Network Interface | \$395.00 |



INDICATOR LIGHT REPLACEMENT PARTS

| Ref. | Item No. | Description | Price |
|------|----------|---|---------|
| 1 | 901279 | Nav-Lamp, White LED (120V) | \$16.50 |
| 2 | 901278 | Nav-Lamp, Green LED (24V) | 9.50 |
| 3 | 901277 | Nav-Tool, Lamp Removal | 6.00 |
| 4 | 901269 | Nav-Bulb, Pilot Light (24VAC) (5 Per Pack)..... | 12.50 |
| 5 | 901270 | Nav-Bulb, Pilot Light (120VAC) (5 Per Pack)..... | 31.50 |

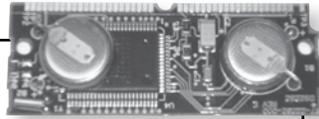
For complete manuals on the Navigator and current software downloads, visit:

www.pecocarwash.com

ELECTRICAL - NAVIGATOR REPLACEMENT PARTS



901600 Controller



901602 Memory Chip

| Part No | Description | Price |
|---------|---------------------------------------|-----------|
| 901600 | Nav-Controller, 16 Function Only..... | \$1965.00 |
| 901602 | Nav-Chip, Memory (For T.C. 16)..... | 595.00 |



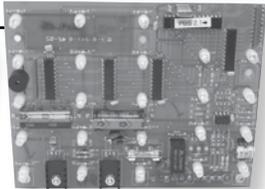
901624 12" Cable DB-9

901626 20' Cable DB-9

| Part No | Description | Price |
|---------|---------------------------------|---------|
| 901624 | Nav-Cable, DB-9 Loop (12")..... | \$19.95 |
| 901626 | Nav-Cable, DB-9 Loop (20")..... | 49.95 |



901505 Push Button Station



901507 Internal PBS Board



901648 PBS E-Stop Switch



901652 PBS Keypad Membrane

| Part No | Description | Price |
|---------|---|------------|
| 901505 | PBS2500 Navigator Push Button..... | \$1,200.00 |
| 901507 | Nav-Board, Internal (PBS 2500)..... | \$640.00 |
| 901648 | Nav-ITC PBS E-Stop Switch (W/O Contacts). 53.25 | |
| 901650 | Nav-ITC PBS E-Stop Contact Block..... | 18.52 |
| 901652 | Nav-Keypad, Membrane Only (PBS 2500)... | 230.00 |



901510



901511



901512



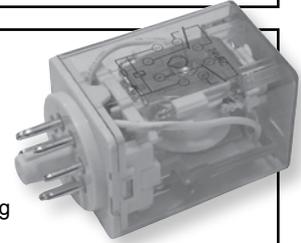
901513

| Part No | Description | Price |
|---------|-----------------------------------|----------|
| 901510 | Nav-Printer, Star SP200 | \$450.00 |
| 901511 | Nav-Cable, DB-9 Printer | 24.00 |
| 901512 | Nav-Paper, Printer (Roll)..... | 1.79 |
| 901513 | Nav-Ink, Printer (Cartridge)..... | 7.45 |



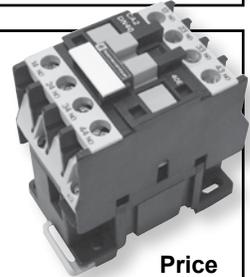
901620 Lock & Keys

| Part No | Description | Price |
|---------|------------------------------|---------|
| 901620 | Nav-Lock, Door (W/Keys)..... | \$50.00 |



901630 Relay 24vac Locking

| Part No | Description | Price |
|---------|---------------------------------------|---------|
| 901630 | Nav-Relay, 8-Pin 24VAC (Locking)..... | \$31.00 |



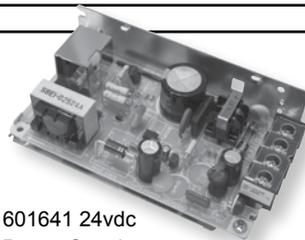
901638 MCR 24vac 3-Pole Relay- Interlock

| Part No | Description | Price |
|---------|-----------------------------------|---------|
| 901638 | Nav-Relay, MCR 24VAC 3-Pole | \$75.00 |

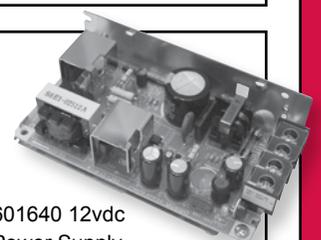


901642 4 AMP Circuit Breaker

| Part No | Description | Price |
|---------|----------------------------------|---------|
| 901642 | Nav-Circuit Breaker, 4 AMP | \$75.00 |
| 901644 | Nav-Circuit Breaker, 6 AMP | 75.00 |



601641 24vdc Power Supply



601640 12vdc Power Supply

| Part No | Description | Price |
|---------|--|----------|
| 901640 | Nav-ITCM Power Supply (12VDC/2.1A).... | \$157.41 |
| 901641 | Nav-ITCE Power Supply (24VDC/1.1A)..... | 157.41 |
| 901643 | Nav-Transformer, TR1 120V/24VAC 100VA..... | 92.59 |

Standard Car Wash
PARTS & SUPPLIES

PECO Equipment
REPLACEMENT PARTS

Electrical - Navigator Replacement Parts

Car Wash
SYSTEMS

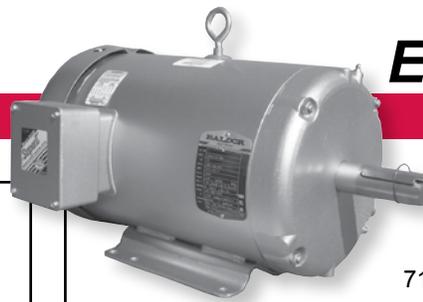
Car Wash
EQUIPMENT



711235

ELECTRIC MOTORS: TEFC TOTALLY ENCLOSED FAN COOLED

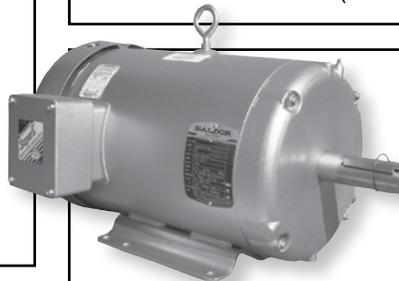
| Part No | Description | Price |
|---------|---|----------|
| 530105 | Motor-Electric, 1 ½ HP 1800 RPM 145TC TEFC (208/230-460V)..... | \$226.45 |
| 711215 | Motor-Electric, 7 ½ HP 3600 RPM 213T TEFC (208/230-460V)..... | 665.70 |
| 711218 | Motor-Electric, 10 HP 1800 RPM 215TC TEFC (208/230-460V)..... | 592.50 |
| 711219 | Motor-Electric, 10 HP 3600 RPM 215T TEFC (208/230-460V)..... | 593.50 |
| 711230 | Motor-Electric, 10 HP 3600 RPM 215TC TEFC (208/230-460V)..... | 678.25 |
| 711236 | Motor-Electric, 10 HP 3600 RPM 215TC TEFC-Cast (208/230-460V)..... | 768.55 |
| 711224 | Motor-Electric, 15 HP 1200 RPM 284T TEFC (208/230-460V)..... | 1678.35 |
| 711233 | Motor-Electric, 15 HP 3600 RPM 215TC TEFC (208/230-460V)..... | 911.05 |
| 711234 | Motor-Electric, 15 HP 3600 RPM 215T TEFC (208/230-460V)..... | 843.95 |
| 711235 | Motor-Electric, 15 HP 3600 RPM 215TC TEFC-Cast (208/230-460V)..... | 893.75 |
| 711240 | Motor-Electric, 20 HP 1800 RPM 256TC TEFC- (208/230-460V)..... | 1186.45 |



711234

ELECTRIC MOTORS: ODP OPEN DRIP

| Part No | Description | Price |
|---------|---|----------|
| 711205 | Motor-Electric, 3 HP 1800 RPM 182T ODP (208/230-460V)..... | \$276.95 |
| 711209 | Motor-Electric, 5 HP 1800 RPM 184T ODP (208/230-460V)..... | 264.20 |
| 711213 | Motor-Electric, 7 ½ HP 1800 RPM 213T ODP (208/230-460V)..... | 383.45 |
| 711217 | Motor-Electric, 10 HP 1800 RPM 215T ODP (208/230-460V)..... | 461.05 |
| 711220 | Motor-Electric, 10 HP 1200 RPM 256T ODP (208/230-460V)..... | 882.05 |
| 711221 | Motor-Electric, 15 HP 3600 RPM 215T ODP (208/230-460V)..... | 800.25 |
| 711223 | Motor-Electric, 15 HP 1800 RPM 254T ODP (208/230-460V)..... | 694.05 |
| 711225 | Motor-Electric, 20 HP 3600 RPM 254T ODP (208/230-460V)..... | 1023.70 |
| 711227 | Motor-Electric, 20 HP 1800 RPM 256T ODP (208/230-460V)..... | 1033.15 |
| 711226 | Motor-Electric, 30 HP 1800 RPM 286T ODP (208/230-460V)..... | 1259.40 |

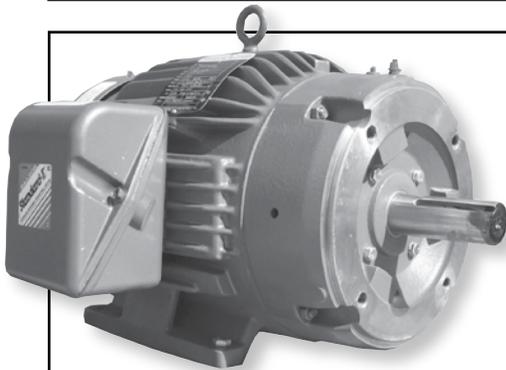


Stripper™ Dryer Replacement Motor

- Specially Designed for Long Life
- Heavy Duty Windings for long life
- Only by PECO

STRIPPER™ DRYER REPLACEMENT MOTOR

| Part No | Description | Price |
|---------|---|--------|
| 711234 | Motor-Electric, 15 HP 3600 RPM 215T TEFC (208/230-460V)..... | 843.95 |



PECO Dryer Replacement Motor

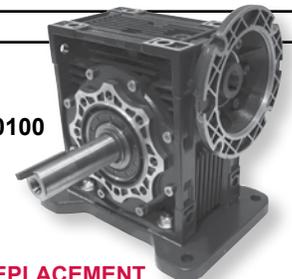
- Specially Designed for Long Life
- Cast Iron Frame
- Specially Designed Weep Holes for Long Bearing Life

PECO DRYER REPLACEMENT MOTOR

| Part No | Description | Price |
|---------|---|----------|
| 711236 | Motor-Electric, 10 HP 3600 RPM 215TC TEFC-Cast (208/230-460V)..... | \$768.55 |
| 711235 | Motor-Electric, 15 HP 3600 RPM 215TC TEFC-Cast (208/230-460V)..... | 893.75 |



530105



530100

PECO MITTING CURTAIN REPLACEMENT MOTOR & GEAR BOX

| Part No | Description | Price |
|---------|--|----------|
| 530105 | Motor-Electric, 1 ½ HP 1800 RPM 145TC TEFC (208/230-460V)..... | \$226.45 |
| 530100 | MC-Gear Box, Output Shaft Double Bearing Support (Sealed for Life)..... | 827.50 |

Here is a sampling of Nuts & Bolts. Please visit our website for our full inventory of Nuts & Bolts / Fasteners. Make your next job easier, order your replacement parts with hardware. Our prices are much less expensive and will save you a trip to the hardware store.



600023

PLATED BOLTS

| Part No | Description | Price |
|---------|--|--------|
| 017177 | Bolt-Hex-Plt, 1/4 - 20 x 1/2 GR5..... | \$.05 |
| 017178 | Bolt-Hex-Plt, 1/4 - 20 x 1 GR5..... | \$.06 |
| 017194 | Bolt-Hex-Plt, 1/4 - 20 x 1-1/2 GR5..... | \$.08 |
| 017208 | Bolt-Hex-Plt, 5/16 - 18 x 1/2 GR5..... | \$.11 |
| 017209 | Bolt-Hex-Plt, 5/16 - 18 x 3/4 GR5..... | \$.07 |
| 017236 | Bolt-Hex-Plt, 5/16 - 18 x 1-1/2 GR5..... | \$.11 |
| 017269 | Bolt-Hex-Plt, 5/16 - 18 x 1-3/4 GR5..... | \$.12 |
| 017285 | Bolt-Hex-Plt, 3/8 - 16 x 1 GR5..... | \$.12 |
| 017301 | Bolt-Hex-Plt, 3/8 - 16 x 1-1/2 GR5..... | \$.15 |
| 017319 | Bolt-Hex-Plt, 3/8 - 16 x 2 GR5..... | \$.19 |
| 017335 | Bolt-Hex-Plt, 3/8 - 16 x 2-1/2 GR5..... | \$.23 |
| 017459 | Bolt-Hex-Plt, 1/2 - 13 x 1-1/2 GR5..... | \$.29 |
| 017475 | Bolt-Hex-Plt, 1/2 - 13 x 2 GR5..... | \$.36 |
| 017491 | Bolt-Hex-Plt, 1/2 - 13 x 2-1/2 GR5..... | \$.43 |
| 017509 | Bolt-Hex-Plt, 1/2 - 13 x 3 GR5..... | \$.50 |
| 017541 | Bolt-Hex-Plt, 5/8-11 x 2..... | \$.59 |
| 017582 | Bolt-Hex-Plt, 5/8-11 x 2-1/2..... | \$.59 |
| 017590 | Bolt-Hex-Plt, 5/8-11 x 3 GR5..... | \$.79 |
| 017591 | Bolt-Hex-Plt, 5/8-11 x 3-1/2 GR5..... | \$.65 |
| 017918 | Bolt-Hex-Plt, 3/4-10 x 2-1/2 GR5..... | \$1.15 |
| 017923 | Bolt-Hex-Plt, 3/4-10 x 4-1/2 GR5..... | \$1.60 |

STAINLESS STEEL BOLTS

| | | |
|--------|------------------------------------|---------|
| 600000 | Bolt-Hex-SS, 1/4-20 x 1..... | \$.19 |
| 600002 | Bolt-Hex-SS, 1/4-20 x 1-1/2..... | \$.44 |
| 600031 | Bolt-Hex-SS, 3/8-16 x 1-1/2..... | \$.65 |
| 600035 | Bolt-Hex-SS, 3/8-16 x 1-3/4..... | \$1.00 |
| 600039 | Bolt-Hex-SS, 3/8-16 x 3-1/2..... | \$1.08 |
| 600021 | Bolt-Hex-SS, 1/2-13 x 1-1/2..... | \$1.15 |
| 600023 | Bolt-Hex-SS, 1/2-13 x 2..... | \$1.55 |
| 600026 | Bolt-Hex-SS, 1/2-13 x 3..... | \$1.00 |
| 600041 | Bolt-Hex-SS, 3/8-16 x 4-1/2..... | \$2.00 |
| 600011 | Bolt-Hex-SS, 5/8 - 11 x 2-1/2..... | \$3.60 |
| 600012 | Bolt-Hex-SS, 5/8-11 x 5..... | \$6.31 |
| 600006 | Bolt-Hex-SS, 3/4 -10 x 3..... | \$3.85 |
| 600007 | Bolt-Hex-SS, 3/4 - 10 x 7..... | \$11.75 |

002007



| Part No | Description | Price |
|---------|--------------------------------------|-------|
| 002007 | Anchor-Sleeve-Plt, 5/16 x 1-1/2..... | \$.85 |

PLATED WEDGE ANCHORS

| Part No | Description | Price |
|---------|--------------------------------|--------|
| 002015 | Anchor-Wedge, 3/8 x 2-3/4..... | \$1.66 |
| 002009 | Anchor-Wedge, 1/2 x 3-3/4..... | 1.95 |
| 002017 | Anchor-Wedge, 1/2 x 2-3/4..... | 1.60 |
| 002013 | Anchor-Wedge, 5/8 x 3-1/2..... | 3.10 |

STAINLESS STEEL WEDGE ANCHORS

| | | |
|--------|-----------------------------------|--------|
| 600100 | Anchor-Wedge-SS, 3/8 x 2-3/4..... | \$3.38 |
| 600102 | Anchor-Wedge-SS, 1/2 x 2-3/4..... | 7.15 |
| 600104 | Anchor-Wedge-SS, 1/2 x 3-3/4..... | 7.40 |
| 600106 | Anchor-Wedge-SS, 5/8 x 3-1/2..... | 9.95 |

002013



PLATED NUTS

| Part No | Description | Price |
|---------|--|-------|
| 016023 | Nut-Nylon Insert-Plt, 1/4 - 20..... | \$.06 |
| 016028 | Nut-Nylon Insert-Plt, 7/16 - 14 JAM..... | \$.15 |
| 016261 | Nut-Nylon Insert-Plt, 3/8 - 16..... | \$.10 |
| 016062 | Nut-Hex-Plt, 3/8 - 16..... | \$.15 |
| 016063 | Nut-Hex-Plt, 1/2 - 13..... | \$.15 |
| 016295 | Nut-Nylon Insert-Plt, 5/8 - 11..... | \$.27 |
| 016101 | Nut-Nylon Insert-Plt, 3/4 - 16 JAM..... | \$.71 |

STAINLESS STEEL NUTS

| | | |
|--------|---|--------|
| 600144 | Nut-Hex-SS, 3/8 - 16..... | \$.25 |
| 600134 | Nut-Nylon Insert-SS, 1/2 - 13..... | \$.92 |
| 600167 | Nut-SS, 7/16 - 14 ESNA..... | \$.63 |
| 600184 | Nut-SS, 5/16 - 18 ESNA..... | \$.25 |
| 600160 | Nut-Nylon Insert-SS, 3/8 - 16..... | \$.38 |
| 600162 | Nut-Nylon Insert-SS, 5/8 - 11..... | \$2.46 |
| 600163 | Nut-Nylon Insert-SS, 3/4 - 10 ESNA..... | \$3.49 |



600134

For a complete selection of Nuts & Bolts / Fasteners, visit:

www.pecocarwash.com

Standard Car Wash
PARTS & SUPPLIES

Electric Motors
PECO Equipment
REPLACEMENT PARTS

Car Wash
SYSTEMS

Fasteners-Nuts & Bolts
Car Wash
EQUIPMENT



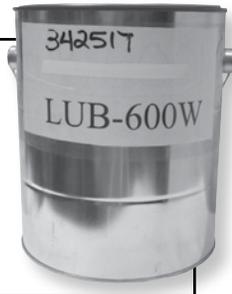
CAT PUMP OIL

Approved Oil for Maximum Pump Life

| Part No | Description | Price |
|---------|----------------------------|--------|
| 029336 | Oil, Cat Pump (Pint) | \$7.90 |

ELECTRICAL GEAR BOX OIL LUBE

| Part No | Description | Price |
|---------|-----------------------------------|---------|
| 342517 | Oil, Gear Box Lube (Gallon) | \$43.00 |



WANNER PUMP OIL

| Part No | Description | Price |
|---------|---|---------|
| 342519 | Oil, Wanner Multi-Grade Hydra-Oil (Quart) | \$7.60 |
| 342521 | Oil, Wanner Multi-Grade Hydra-Oil (Gallon) | \$28.80 |



SPRAY PENETRATING OIL

| Part No | Description | Price |
|---------|------------------------------|--------|
| 342515 | Oil, Spray Penetrating | \$4.95 |



AIR COMPRESSOR OIL

| Part No | Description | Price |
|---------|---|---------|
| 342508 | Oil, SAE40 Non-Detergent (Air Compressor) Gallon ... | \$24.50 |



REFILLABLE GREASE TUBE

| Part No | Description | Price |
|---------|-------------------|--------|
| 342510 | Grease Tube | \$6.75 |



AIR LUBRICATOR OIL FOR AIR LINES

| Part No | Description | Price |
|---------|------------------------------------|---------|
| 342509 | Oil, Air Lubricator (Gallon) | \$15.80 |



GLYCOL FOR FLOOR HEATING SYSTEMS

| Part No | Description | Price |
|---------|--------------------------|----------|
| 342523 | Glycol (5 Gallon) | \$71.75 |
| 342522 | Glycol (55 Gallon) | \$687.50 |



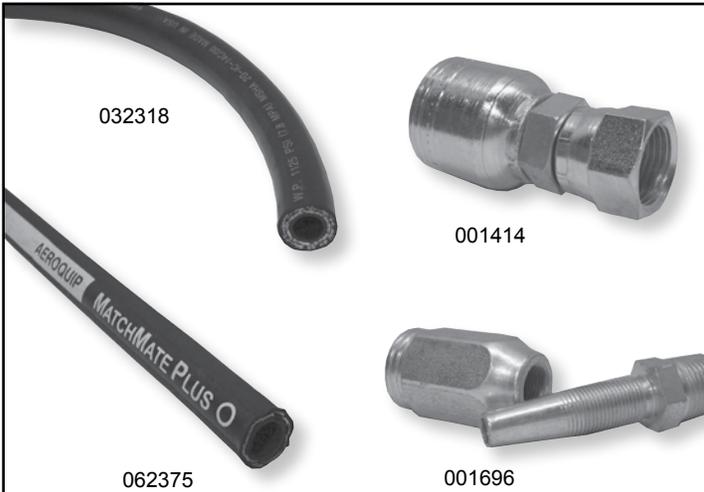
HYDRAULIC OIL FOR SUPPLY SYSTEMS

| Part No | Description | Price |
|---------|--|----------|
| 342513 | Oil, UNAX AW-46 Non Foaming (5 Gallon) | \$49.35 |
| 342514 | Oil, UNAX AW-46 Non Foaming (55 Gallon) | \$433.85 |



Don't take a chance!
Only use approved fluids and lubricants
on your expensive wash equipment.
Visit us online for a complete selection of
approved fluids & oils.

www.pecocarwash.com



HYDRAULIC/HIGH PRESSURE WATER HOSE

| Part No | Description | Price |
|---------|--|----------|
| 062375 | Hose-1/2", Hydraulic 2000 PSI Aeroquip | \$2.95 |
| 062373 | Hose-3/4", Hydraulic 2000 PSI Aeroquip | 5.50 |
| 314146 | Hose-1", Hydraulic 2000 PSI Aeroquip | 8.25 |
| 062380 | Hydraulic Hose Crimper Aeroquip..... | 1,860.00 |

HYDRAULIC/HIGH PRESSURE WATER HOSE FITTINGS

| | | |
|--------|--|--------|
| 001414 | Swage-Plt, 1/2" JIC FM Swivel Aeroquip | \$7.40 |
| 001411 | Swage-Plt, 3/4" JIC FM Swivel Aeroquip | 15.30 |
| 001412 | Swage-Plt, 1" JIC FM Swivel Aeroquip | 24.45 |

PRESSURE WASHER HOSE & FITTINGS

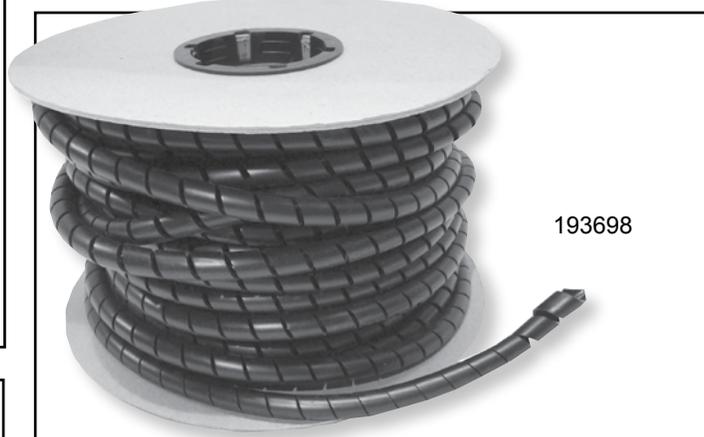
| | | |
|--------|---|-------|
| 032318 | Hose-3/8", Pressure Washer 1125 PSI | 2.85 |
| 001696 | Reusable Hose Fitting 3/8" ML NPT x 3/8" Pressure Washer | 16.85 |



| Part No | Description | Price |
|---------|---|----------|
| 193616 | Hose-1/2", Braided 200 PSI (by foot)..... | \$0.50 |
| 193614 | Hose-1/2", Braided 200 PSI (by 300') | \$200.05 |
| 193530 | Hose-1/2", PushLock 300 PSI (by foot)..... | \$2.70 |
| 193615 | Hose-3/4", Braided 150 PSI (by 100') | \$142.80 |
| 193531 | Hose-3/4", PushLock 300 PSI (by foot)..... | \$3.20 |
| 193532 | Hose-1 1/4", Low Pressure 200 PSI (by foot) . | \$5.75 |
| 082835 | Hose-1 1/2", Low Pressure 200 PSI (by foot) . | \$8.25 |
| 082836 | Hose-2", Low Pressure 350 PSI (by foot) | \$12.50 |



| Part No | Description | Price |
|---------|---|---------|
| 024505 | Tubing-1/4", Polyflow 125 PSI (by 100').... | \$29.65 |
| 024563 | Tubing-3/8", Polyflow 125 PSI (by 100')..... | 40.00 |
| 024561 | Tubing-3/8", Polyflow 125 PSI (by foot) | 0.40 |
| 024580 | Tubing-1/2", Polyurethane Red (by foot)..... | 1.80 |



MISCELLANEOUS HOSE ACCESSORIES

| Part No | Description | Price |
|---------|--|--------|
| 032423 | Hose-3/8", Trip | \$1.25 |
| 193698 | Hose Wrap-1/2", Sprial (Black) | .85 |
| 193700 | Tubing-Plastic, 1" Heat Shrink Jacket (Protects fittings from Rusting)..... | 1.95 |

FOR MORE PARTS... AND CURRENT PRICES

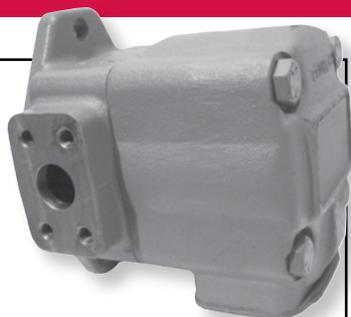
SHOP ONLINE 24/7

www.pecocarwash.com

Fluids & Oils
 Standard Car Wash
 PECO Equipment
 REPLACEMENT PARTS
 Car Wash
 SYSTEMS
 Hose & Plastic Tubing
 Car Wash
 EQUIPMENT



911331 V10
Vane Pump



911404 V25VQ
Vane Pump

VICKERS VANE PUMPS

| Part No | Description | Price |
|---------|--|----------|
| 911336 | Pump-Vickers, V2108W Hydraulic | \$717.80 |
| 911333 | Pump-Vickers, V101P2 Hydraulic (PHS3) | 319.60 |
| 911332 | Pump-Vickers, V101P6 Hydraulic (PHS5) | 319.60 |
| 911331 | Pump-Vickers, V101P7 Hydraulic (PHS10) | 365.00 |
| 911400 | Pump-Vickers, 25VQ12A1A20 Hydraulic | 820.00 |
| 911401 | Pump-Vickers, 25VQ14A1D20 Hydraulic | 820.00 |
| 911402 | Pump-Vickers, 25VQ17A1D20 Hydraulic | 820.00 |
| 911404 | Pump-Vickers, 25VQ21A1D20 Hydraulic | 820.00 |



007998 Filler
Breather Cap

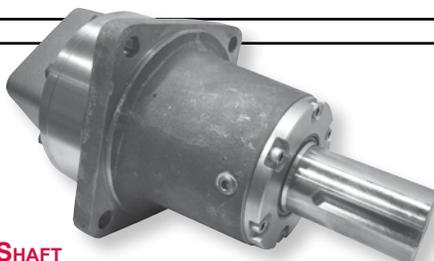


007999
Sight Gauge

| Part No | Description | Price |
|---------|--------------------------------|---------|
| 007998 | Hyd-Filler Breather, PHS Units | \$17.50 |
| 007999 | Hyd-Sight Gauge, PHS Units | 25.55 |

007762 HECO Gear
Box, 2 1/4" Shaft Keyed
5-1 Ratio Center
Flange

- NICKEL PLATED DRIVE SHAFT
- SPECIAL DOUBLE LIP SHAFT SEAL



| Part No | Description | Price |
|---------|---|----------|
| 007762 | Gear Box-Heco, 2-1/4 Shaft Keyed 5-1 Ratio CF Hyd Dr | \$901.25 |
| 007758 | Drive-Hyd, 5-1 CF 4-Bolt Stud | 1085.50 |



911414
Hydraulic Flange

25VQ VICKERS VANE PUMPS ACCESSORIES

| Part No | Description | Price |
|---------|---|---------|
| 911412 | HYD-Flange, 1" NPT 25VQ Pump (w/Bolts & O-ring) | \$26.05 |
| 911414 | HYD-Flange, 1-1/2" NPT 25VQ Pump (w/Bolts & O-ring) | 35.60 |
| 911358 | HYD-Flange, 1-1/2" NPT Suction Line (w/Bolts & O-ring) | 53.25 |
| 911410 | Bracket, Foot (For 25VQ/30VQ) | 100.37 |
| 911337 | Hyd-Bracket, Foot (V210 Series) | 62.15 |



007991



026355



182162



182130



182170

Note:

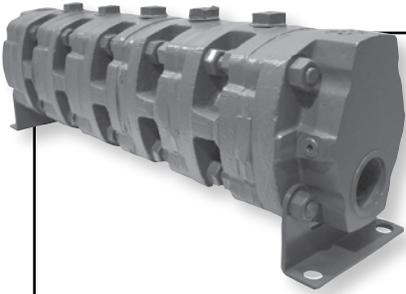
- If you use water soluble oil you must use a Micro Fiber Filter, you cannot use a paper filter.
- When starting a new hydraulic system, replace your filter after one week.
- If you have questions about replacement filters, please contact our parts department.

FILTERS

| Part No | Description | Price |
|---------|---|---------|
| 007991 | Filter, B-378-10 | \$27.80 |
| 026355 | Filter, BT-260 | 19.50 |
| 182154 | Filter-Paper, Peco 2/5/10 HP Hyd System | 16.95 |
| 182162 | Filter-Paper, Peco 15/20 HP Hyd System | 23.75 |
| 182170 | Filter-Micro Fiber, Peco 15/20 HP Hyd System | 45.07 |
| 182171 | Filter-Micro Fiber, Peco 2/5/10 HP Hyd System | 23.69 |
| 191890 | Filter, BT-526-10 | 37.95 |

FILTER ACCESSORIES

| | | |
|--------|--|----------|
| 182130 | Filter-Tank Mount-Glass, Peco 20HP Hyd System | \$106.35 |
| 182131 | Filter Element-Glass, Peco 20HP Hyd Tank Top | 41.40 |
| 182156 | Hyd-Filter Head, 3/4" Spin-On (For 839) | 51.85 |
| 191891 | Hyd-Filter Head, PHS20 HP Unit | 35.40 |



911342 6-Bank Proportionator



911345 Proportionator P-23
Replacement Bank and Gears



911352 Proportionator O-ring

PROPORTIONATOR SYSTEMS

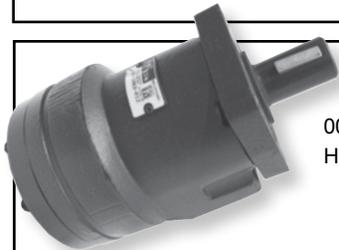
(must specify each bank size when ordering)

| Part No | Description | Price |
|---------|------------------------------|----------|
| 911338 | Proportionator, 2-Bank | \$595.00 |
| 911339 | Proportionator, 3-Bank | 972.40 |
| 911340 | Proportionator, 4-Bank | 1285.20 |
| 911341 | Proportionator, 5-Bank | 1618.40 |
| 911342 | Proportionator, 6-Bank | 1931.20 |
| 911343 | Proportionator, 7-Bank | 1912.50 |

PROPORTIONATOR REPLACEMENT PARTS

(If your bank gears have a flat drive, you must order a new proportionator system, flat drive gears have been discontinued)

| | | |
|--------|--|----------|
| 911344 | Proportionator, Hyd P-25 Bank W/Gear | \$290.00 |
| 911345 | Proportionator, Hyd P-23 Bank W/Gear | 361.00 |
| 911346 | Proportionator, Hyd P-21 Bank W/Gear | 271.50 |
| 911347 | Proportionator, Hyd Center Section | 93.60 |
| 911350 | Proportionator End Plate Assy | 91.20 |
| 911351 | Pin, 3/8" Proportionator Hex..... | 7.95 |
| 911352 | O-Ring, Proportionator..... | 1.00 |



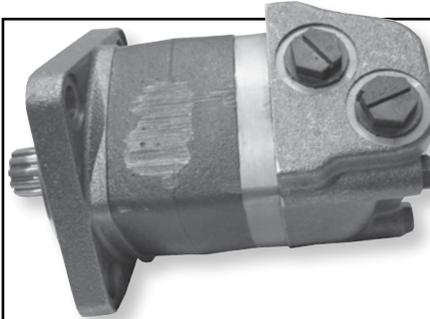
007730 S-Series Char-Lynn
Hydraulic Motor

| Part No | Description | Price |
|---------|---|----------|
| 007730 | Motor-Hyd, 103-1003 Char-Lynn (5.9 In.-3/Rev 4B)..... | \$242.55 |
| 007732 | Motor-Hyd, 103-1004 Char-Lynn (9.7 In.-3/Rev 4B)..... | 206.00 |
| 007734 | Motor-Hyd, 103-1005 Char-Lynn (11.3 In.-3/Rev 4B)..... | 274.00 |
| 007651 | Motor-Hyd, 103-1006 Char-Lynn (14.1 In.-3/Rev 4B)..... | 336.15 |



088138 H-Series Charlynn
Hydraulic Motor

| Part No | Description | Price |
|---------|--|----------|
| 088138 | Motor-Hyd, 101-1001 Char-Lynn (2.8 In.-3/Rev 4B)..... | \$133.00 |
| 182444 | Motor-Hyd, 101-1003 Char-Lynn (5.9 In.-3/Rev 4B)..... | 183.69 |
| 110247 | Motor-Hyd, 101-1004 Char-Lynn (9.7 In.-3/Rev 4B)..... | 263.50 |
| 311852 | Motor-Hyd, 101-1005 Char-Lynn (11.3 In.-3/Rev 4B)..... | 252.65 |
| 311855 | Motor-Hyd, 101-3326 Char-Lynn (W/HP Seals) (Pulse Detector) | 335.50 |



007744 HECO
Gear Box
Hydraulic Motor



007763 HECO
Sun Gear Kit



007764 HECO/Hydraulic
Motor Bolts & O-ring Kit

BEARINGLESS HYDRAULIC MOTORS

| Part No | Description | Price |
|---------|---|----------|
| 007744 | Motor-Hyd, 106-1014 Char-Lynn (18.7 In.-3/Rev Bearingless) | \$418.40 |
| 007981 | Motor-Hyd, 106-1012 Char-Lynn | 398.80 |

BEARINGLESS HYDRAULIC MOTOR ACCESSORIES

| | | |
|--------|-------------------------------|----------|
| 007763 | Gear Kit-Heco, Sun | \$121.88 |
| 007764 | Kit-Heco, Bolts & O-Ring..... | 19.95 |



350152 Peachy - Peach
72 per pack



350153 Lilac
72 per pack



350154 Wild Cherry
72 per Pack

AIR FRESHENERS

| Part No | Description | Price |
|---------|---|---------|
| 350150 | Air Freshener-Vanilla (72 Per Pack)..... | \$25.95 |
| 350151 | Air Freshener-New Car Scent (72 Per Pack)..... | 25.95 |
| 350152 | Air Freshener-Peachy Peach (72 Per Pack)..... | 25.95 |
| 350153 | Air Freshener-Lilac (72 Per Pack)..... | 25.95 |
| 350154 | Air Freshener-Wild Cherry (72 Per Pack)..... | 25.95 |
| 350155 | Air Freshener-Watermelon (72 Per Pack)..... | 25.95 |
| 350156 | Air Freshener-Coconut (72 Per Pack)..... | 25.95 |
| 350157 | Air Freshener-Strawberry (72 Per Pack)..... | 25.95 |
| 350158 | Air Freshener-Black Ice (72 Per Pack)..... | 25.95 |



Armor-All Spay 4oz Bottles



Armor-All Tire Foam
12 per case



Armor-All Multi-Purpose
Cleaner
100 per case

ARMOR ALL PRODUCTS

| Part No | Description | Price |
|---------|---|---------|
| 350000 | Armor All Spray (4 oz Bottles) (24 Per Case) | \$53.61 |
| 350001 | Armor All Protectant Sponge Pack (100 Per Case) | 42.95 |
| 350025 | Armor All Tire Foam (4 oz Bottles) (12 Per Case) | 27.00 |
| 350102 | Armor All Multi-Purpose Cleaner (100 per Case)..... | 81.46 |



Rain-X® – 100 per case
(Ready to use towellette)

RAIN-X® PRODUCTS

| Part No | Description | Price |
|---------|------------------------|---------|
| 350104 | Rain-X® (100 per Case) | \$45.50 |



350004 Bug & Tar
Remover Towel
(100 per case)



350001 Armor All
All Protectant Sponge
Pack (100 per Case)



350002 Leather Cleaner,
(24 per Case)



350003 Leather
Conditioner
(24 per Case)



350005 Vinyl Protectant
(24 Per Case)

FOR MORE ITEMS FOR RESALE
AND CURRENT PRICES

VISIT US ONLINE:

www.pecocarwash.com

MISCELLANEOUS VENDING PRODUCTS

| Part No | Description | Price |
|---------|---|---------|
| 342806 | Towel-Paper, Vending Machine (18"x27") (180pcs) Giant Super | \$48.60 |
| 350001 | Armor All All Protectant Sponge Pack (100 per Case) | 42.95 |
| 350002 | Leather Cleaner, Ready To Use Towel (24 per Case) | 9.36 |
| 350003 | Leather Conditioner, Ready To Use Towel (24 per Case) | 9.36 |
| 350004 | Bug & Tar Remover, Ready To Use Towel (100 per Case) | 40.95 |
| 350005 | Vinyl Protectant, Ready To Use Towel (24 Per Case) | 9.36 |
| 350101 | Rain Vision (24 Per Case) | 16.67 |
| 350103 | Never-Fog (24 Per Case) | 16.67 |

Standard Car Wash
PARTS & SUPPLIES

PECO Equipment
REPLACEMENT PARTS

Bearings-Bushings-Collars

Car Wash
SYSTEMS

Car Wash
EQUIPMENT



801311



801352



801376

VEEJET NOZZLES

| Part No | Description | Price |
|---------|--------------------------------------|--------|
| 801240 | Nozzle-Plastic-1/4, 4010 VeeJet..... | \$2.65 |
| 801242 | Nozzle-Plastic-1/4, 4020 VeeJet..... | 3.20 |
| 801244 | Nozzle-Plastic-1/4, 6510 VeeJet..... | 3.25 |
| 801245 | Nozzle-Plastic-1/4, 6515 VeeJet..... | 3.20 |
| 801246 | Nozzle-Plastic-1/4, 6530 VeeJet..... | 3.20 |
| 801248 | Nozzle-Plastic-1/4, 6550 VeeJet..... | 3.20 |
| 801250 | Nozzle-Plastic-1/4, 6520 VeeJet..... | 3.25 |
| 801252 | Nozzle-Plastic-1/4, 6570 VeeJet..... | 3.05 |
| 801254 | Nozzle-Plastic-1/4, 8015 VeeJet..... | 3.05 |
| 801256 | Nozzle-Plastic-1/4, 8010 VeeJet..... | 2.65 |
| 801258 | Nozzle-Plastic-1/4, 8020 VeeJet..... | 2.65 |
| 801260 | Nozzle-Plastic-1/4, 8050 VeeJet..... | 3.05 |
| 801262 | Nozzle-Plastic-1/4, 4004 VeeJet..... | 2.65 |
| 801264 | Nozzle-Plastic-1/4, 4008 VeeJet..... | 2.65 |
| 801265 | Nozzle-Plastic-1/4, 1510 VeeJet..... | 2.65 |
| 801181 | Nozzle-Brass-1/4, 2530 VeeJet..... | 4.05 |
| 801183 | Nozzle-Brass-3/8, 4050 VeeJet..... | 14.00 |
| 801266 | Nozzle-Brass-3/8, 4070 VeeJet..... | 14.00 |
| 801268 | Nozzle-Brass-3/8, 6550 VeeJet..... | 14.00 |
| 801270 | Nozzle-Brass-3/8, 6570 VeeJet..... | 14.00 |
| 801272 | Nozzle-Brass-3/8, 6530 VeeJet..... | 14.00 |
| 801273 | Nozzle-Brass-3/8, 6540 VeeJet..... | 14.00 |
| 801274 | Nozzle-Brass-3/8, 40100 VeeJet..... | 14.00 |
| 801372 | Nozzle-Plastic-1/4, 4005 VeeJet..... | 2.44 |
| 801373 | Nozzle-Plastic-1/4, 9505 VeeJet..... | 2.44 |
| 801374 | Nozzle-Plastic-1/4, 9502 VeeJet..... | 2.44 |
| 801375 | Nozzle-Plastic-1/4, 4002 VeeJet..... | 2.44 |
| 801376 | Nozzle-Plastic-1/4, 6504 VeeJet..... | 2.44 |

IMEG NOZZLES

| Part No | Description | Price |
|---------|--------------------------------|--------|
| 801187 | Nozzle-SS-1/4, 2505 IMEG..... | \$4.40 |
| 801189 | Nozzle-SS-1/4, 1510 IMEG..... | 4.40 |
| 801278 | Nozzle-SS-1/4, 1505 IMEG..... | 4.40 |
| 801280 | Nozzle-SS-1/4, 2509 IMEG..... | 7.50 |
| 801281 | Nozzle-SS-1/4, 2503 IMEG..... | 4.40 |
| 801282 | Nozzle-SS-1/4, 4004 IMEG..... | 4.40 |
| 801284 | Nozzle-SS-1/4, 2510 IMEG..... | 4.40 |
| 801286 | Nozzle-SS-1/4, 2508 IMEG..... | 4.40 |
| 801288 | Nozzle-SS-1/4, 1508 IMEG..... | 4.40 |
| 801290 | Nozzle-SS-1/4, 4009 IMEG..... | 4.40 |
| 801292 | Nozzle-SS-1/4, 1509 IMEG..... | 4.40 |
| 801294 | Nozzle-SS-1/4, 1506 IMEG..... | 4.40 |
| 801296 | Nozzle-SS-1/4, 15055 IMEG..... | 4.40 |
| 801300 | Nozzle-SS-1/4, 1515 IMEG..... | 4.40 |
| 801302 | Nozzle-SS-1/4, 1520 IMEG..... | 4.40 |
| 801304 | Nozzle-SS-1/4, 1503 IMEG..... | 4.40 |
| 801306 | Nozzle-SS-1/4, 1504 IMEG..... | 4.40 |
| 801309 | Nozzle-SS-1/4, 1512 IMEG..... | 4.40 |
| 801310 | Nozzle-SS-1/4, 6510 MEG..... | 4.40 |
| 801311 | Nozzle-SS-1/4, 0503 IMEG..... | 4.40 |
| 801314 | Nozzle-SS-1/4, 8010 IMEG..... | 4.40 |
| 801316 | Nozzle-SS-1/4, 2504 IMEG..... | 4.40 |
| 801318 | Nozzle-SS-1/4, 25055 IMEG..... | 4.40 |
| 801319 | Nozzle-SS-1/4, 2506 IMEG..... | 4.40 |
| 801324 | Nozzle-SS-1/4, 2520 IMEG..... | 4.40 |
| 801326 | Nozzle-SS-1/4, 6504 IMEG..... | 4.40 |
| 801327 | Nozzle-SS-1/4, 4030 MEG..... | 4.40 |
| 801328 | Nozzle-SS-1/4, 4005 IMEG..... | 4.40 |
| 801329 | Nozzle-SS-1/4, 4008 IMEG..... | 4.40 |
| 801330 | Nozzle-SS-1/4, 2512 IMEG..... | 4.40 |
| 801332 | Nozzle-SS-1/4, 2515 IMEG..... | 4.40 |
| 801312 | Nozzle-SS-1/4, 0504 IMEG..... | 4.40 |
| 801313 | Nozzle-SS-1/4, 0506 IMEG..... | 4.40 |
| 801334 | Nozzle-SS-1/4, 0003 IMEG..... | 4.40 |
| 801335 | Nozzle-SS-1/4, 0006 IMEG..... | 4.40 |
| 801333 | Nozzle-SS-1/4, 0008 IMEG..... | 4.40 |
| 801350 | Nozzle-SS-1/8, 2511 IMEG..... | 5.95 |
| 801351 | Nozzle-SS-1/8, 0004 IMEG..... | 4.20 |
| 801352 | Nozzle-SS-1/8, 0003 IMEG..... | 4.20 |
| 801353 | Nozzle-SS-1/8, 0005 IMEG..... | 4.20 |
| 801354 | Nozzle-SS-1/8, 1504 IMEG..... | 4.20 |
| 801355 | Nozzle-SS-1/8, 0505 IMEG..... | 4.20 |
| 801356 | Nozzle-SS-1/8, 0504 IMEG..... | 4.20 |
| 801357 | Nozzle-SS-1/8, 0503 IMEG..... | 4.20 |
| 801358 | Nozzle-SS-1/8, 0502 iMEG..... | 4.20 |



801180

801160

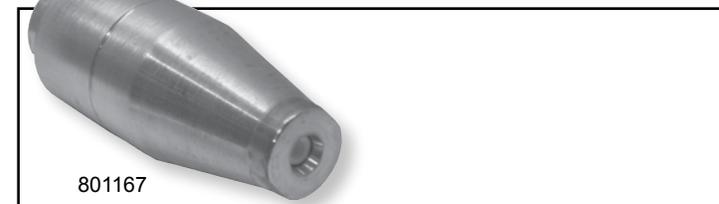
990140

SPRAY GUN

| Part No | Description | Price |
|---------|--------------------------------------|---------|
| 801180 | Gun-Spray, High Pressure (No Weep) | \$34.75 |
| 801182 | Gun-Spray, High Pressure (With Weep) | 36.95 |

SPRAY GUN ACCESSORIES

| | | |
|--------|-----------------------------------|--------|
| 801160 | Protector, 1/4" NPT Rubber Nozzle | \$4.35 |
| 002032 | Nipple-SS, 1/4" x 15" SCH40 TP304 | 12.25 |
| 001195 | Coupling-Plt, 1/4 NPT Hex | 1.85 |
| 990140 | AP-Gun Holder-SS, A150/151 | 154.00 |



801167

ROTATING ZERO DEGREE NOZZLE

| Part No | Description | Price |
|---------|-------------------------------|---------|
| 801167 | Nozzle-Rotating, 0 Degree 5.5 | \$65.00 |



801200 1" Clip Eyelet Plastic

| Part No | Description | Price |
|---------|--|--------|
| 801200 | Nozzle-Plastic, 1" Clip Eyelet (6530 VeeJet) | \$6.15 |
| 801206 | Nozzle-Plastic, 1-1/2" Clip Eyelet (W/6530) | 5.45 |
| 801205 | Threaded Ball, 1/4" Nozzle | 1.95 |
| 801203 | Eyelet-Split, 3/4 TeeJet | \$7.85 |
| 801204 | Eyelet-Split, 1-1/2" Pipe x 3/8 NPT FM | 15.65 |



001669 High Pressure Swivel

SWIVELS

| Part No | Description | Price |
|---------|--------------------------------------|----------|
| 001669 | Swivel-Alum, 3/8 90 Degree HP | \$130.95 |
| 001671 | Swivel-Plt, 1/2M x 1/2F 90 Degree HP | 83.25 |
| 001674 | Swivel-Stl, PE-300 x 3/8F Melonized | 107.15 |
| 801212 | Swivel-Brass, 3/8" | 19.65 |
| 801217 | Swivel-Brass, 3/8" x 1/4" | 5.75 |
| 801220 | Swivel-Brass, 3/8" x 3/8" NPT | 17.95 |
| 801221 | Swivel, 3/8" F x M (Plated W/Buna) | 48.95 |



801222

CHECK VALVE

| Part No | Description | Price |
|---------|---|-------|
| 801222 | Diaphragm-Sprays, Black Check Valve | \$.35 |
| 801228 | Check Valve-Spraying, Diaphragm 1/4 Npt | 6.99 |
| 402758 | Cap-Hydro, Check Valve 4PSI | 3.05 |



402755 Pipe Clamp Nozzle Assembly

| Part No | Description | Price |
|---------|---|--------|
| 402755 | Wet Boom-Plastic, 3/4 Pipe (W/Red 8# Check) | \$7.05 |
| 402910 | Cap-Plastic, 1/4 NPT FM (Wet Boom) | 1.35 |

Standard Car Wash
PARTS & SUPPLIES

PECO Equipment
REPLACEMENT PARTS

Car Wash
SYSTEMS

Car Wash
EQUIPMENT

Nozzles & Accessories

Solution & Metering Pumps



029326 Blue & White Metering Pump



029380 FlowJet Air Pump

ELECTRICAL DRIVEN PUMPS

| Part No | Description | Price |
|---------|--|----------|
| 029325 | Pump-Blue White, 3.1 Oz/Min Metering (120VAC)..... | \$285.75 |
| 029326 | Pump-Blue White, 3.1 Oz/Min Metering (24VAC)..... | 320.95 |



029356 DEMA Metering Pmp

WATER DRIVEN PUMPS

| | | |
|--------|--|----------|
| 029354 | Pump-Dema, Water Driven Metering (33:1 To 10:1 Ratio)..... | \$477.50 |
| 029355 | Pump-Dema, Water Driven Metering (Bypass) (500:1)..... | 350.00 |
| 029356 | Pump-Dema, Water Driven Metering (500:1)..... | 315.35 |
| 029357 | Kit-Dema, 500-1500 Tip | 11.65 |

AIR PUMPS - GRACO

| | | |
|--------|---|----------|
| 029315 | Pump-Graco, Air Operated Diaphragm (Teflon Seals) | \$356.80 |
| 029311 | Kit-Graco, Air Valve Replacement..... | 95.00 |
| 029370 | Diaphragm-Graco, Teflon (#307 Pump) | 54.89 |

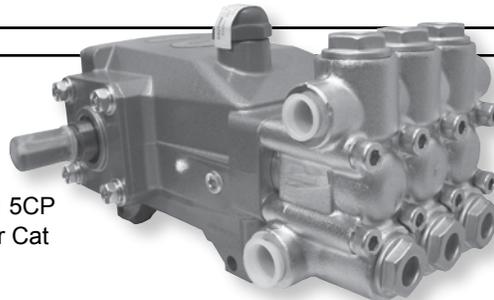
AIR PUMPS - FLOWJET

| | | |
|--------|---|----------|
| 029380 | Pump-Flojet, 3/8" - 1/2" Barb (Poly/Santoprene) | \$101.25 |
| 029384 | Pump-Flojet, Viton Air (#G573205A)..... | 194.60 |
| 029385 | Pump-Flojet, Viton (2 GPM @ 75 PSI)..... | 118.65 |
| 029382 | Kit-Flojet, Diaphragm (Viton)..... | 28.40 |
| 029383 | Kit-Flojet, Diaphragm (Santoprene) | 15.40 |

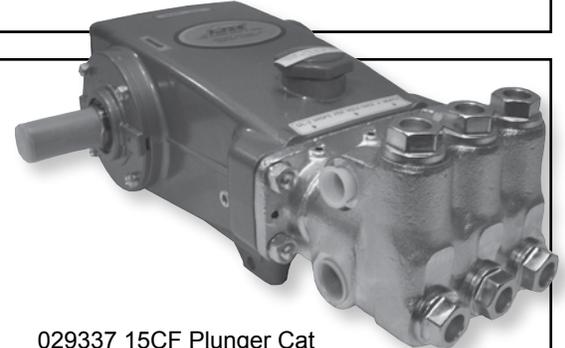
If you do not see a pump that you need, call the PECO PARTS DEPARTMENT and we will gladly find you what you need.

Plunger Pumps

029331 5CP Plunger Cat Pump

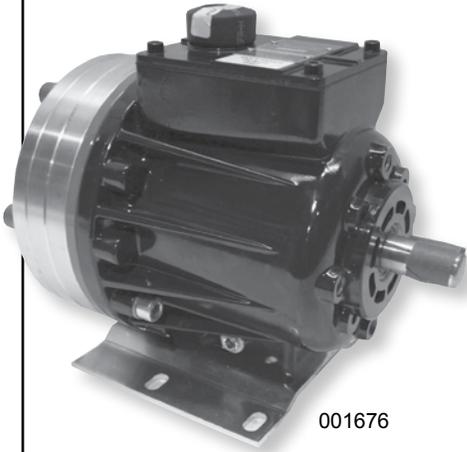


| Part No | Description | Price |
|---------|----------------------------------|----------|
| 029331 | Pump-Cat, 5CP | \$805.10 |
| 029337 | Pump-Cat, 15F Plunger 1050 | 1980.00 |



029337 15CF Plunger Cat Pump

High Pressure Diaphragm Pumps



001676

D-10 HYDRA CELL WANNER PUMP

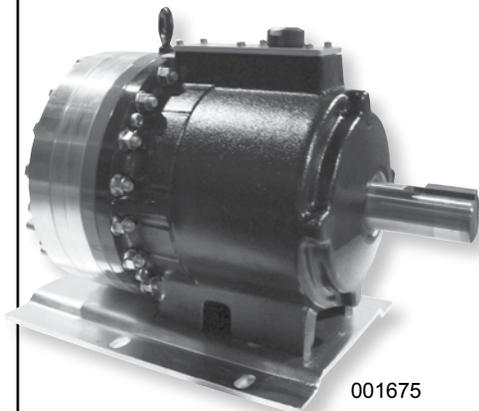
| Part No | Description | Price |
|---------|----------------------------------|----------|
| 001676 | Pump-WANNER, D-10 Hydracell..... | \$769.00 |



001672

H-25-E-20 HYDRA CELL WANNER PUMP

| | | |
|--------|--------------------------------------|-----------|
| 001672 | Pump-Wanner, H25-E-20 Gal 1150 RPM.. | \$2260.00 |
|--------|--------------------------------------|-----------|



001675

D-35 HYDRA CELL WANNER PUMP

| | | |
|--------|-----------------------------------|-----------|
| 001675 | Pump-Wanner, D-35 Hydracell | \$5339.50 |
|--------|-----------------------------------|-----------|

Centrifugal Pumps



029322

GRUNDFOS MULTI-STAGE CENTRIFUGAL PUMP

| Part No | Description | Price |
|---------|---|-----------|
| 029321 | Pump-Grundfos, Multi-Stage Centrifugal (CR3-21) (W/Flange)..... | \$1960.75 |
| 029322 | Pump-Grundfos, Centrifugal (CR-15-2) (W/Flange) | 1917.15 |



029317

MYERS CENTRIFUGAL PUMP

| | | |
|--------|--------------------------|-----------|
| 029317 | Pump-Myers, 12C110 | \$1835.40 |
| 029318 | Pump-Myers, 12C120 | 1715.00 |



155333

GORMAN RUPP CENTRIFUGAL PUMP

| | | |
|--------|--|-----------|
| 155333 | Pump-Gorman Rupp, (With Ceramic Seal)..... | \$2265.00 |
|--------|--|-----------|

Standard Car Wash
PARTS & SUPPLIES

PECO Equipment
REPLACEMENT PARTS

Pumps

Car Wash
SYSTEMS

Car Wash
EQUIPMENT



008850



008855

| Part No | Description | Price |
|---------|---|----------|
| 008850 | Kit -Wanner, D25 Complete Fluid-End | \$265.00 |
| 008855 | Kit-Wanner, D25 Diaphragm | 82.00 |



008866



008867

| Part No | Description | Price |
|---------|--|----------|
| 008866 | Kit-Wanner, D35 Complete Fluid-End | \$385.00 |
| 008867 | Kit-Wanner, D35 Diaphragm | 144.00 |



008919



008928

| Part No | Description | Price |
|---------|--|----------|
| 008919 | Kit-Wanner, D10 Complete Fluid-End | \$174.00 |
| 008928 | Kit-Wanner, D10 Diaphragm | 47.00 |



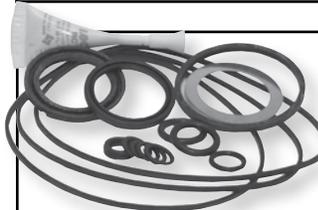
007194

| Part No | Description | Price |
|---------|----------------------------------|--------|
| 007198 | Kit-Wanner, Regulator C-22 | \$4.55 |
| 007194 | Kit-Wanner, Regulator C-23 | 6.95 |
| 007199 | Kit-Wanner, Regulator C-24 | 7.95 |



029344

| Part No | Description | Price |
|---------|---|---------|
| 029344 | Kit-Cat, Valve (5CP/310/350)..... | \$77.80 |
| 029343 | Kit-Cat, Seal 5CP (High Pressure)..... | 101.85 |
| 029345 | Seal-Cat, Oil 5CP..... | 4.25 |
| 029346 | Kit-Cat, Seal (310)..... | 90.00 |
| 029347 | Seal-Cat, Oil 310 (Crank Case) | 4.75 |
| 029348 | Wick-Cat, Pump 1050 | 2.95 |
| 029340 | Kit-Cat, Seal 1050 (High Pressure)..... | 183.95 |
| 029341 | Kit-Cat, Valve (1050)..... | 86.59 |
| 029342 | Seal-Cat, Oil 1050..... | 5.15 |
| 030229 | Kit-Cat, Seal (333/430)..... | 27.00 |
| 035550 | Kit-Char Lynn, Shaft Seal (5-Series)..... | 18.80 |
| 043211 | Cap-Cat, Oil Filter 1050 (Red) | 4.80 |
| 043212 | Cap-Cat, Oil Filter 5CP (Red) (With O-Ring) | 8.85 |



060539



060540



114926



015933

| Part No | Description | Price |
|---------|--|---------|
| 060539 | Kit-Charlynn, Seal (S Series N/S)..... | \$22.50 |
| 060540 | Kit-Charlynn, Seal (H Series N/S)..... | 24.75 |
| 061259 | Kit-Charlynn, Seal (106 Series)..... | 14.28 |
| 035550 | Kit-Charlynn, Shaft Seal (5-Series)..... | 18.80 |
| 029330 | Kit-Charlynn, 007 Series | 19.57 |
| 014852 | Race-Charlynn | 8.00 |
| 014969 | Bearing-Charlynn Thrust..... | 19.88 |
| 114926 | Shaft-Charlynn, Motor (N/S)..... | 89.10 |
| 015933 | Flange, 4-Bolt Charlynn (New Style)..... | 44.15 |



029382



029383

FLO JET DIAPHRAGM KITS

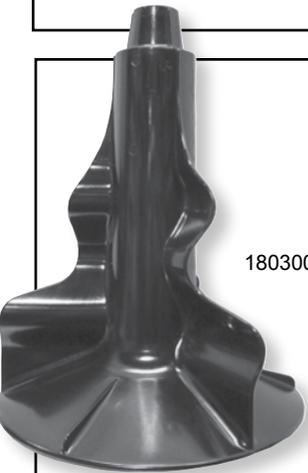
| Part No | Description | Price |
|---------|---|---------|
| 029382 | Kit-FloJet, Diaphragm (Viton) | \$28.40 |
| 029383 | Kit-FloJet, Diaphragm (Santoprene)..... | 15.40 |



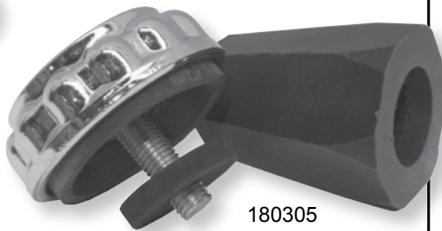
800119

DEMA REPAIR KIT

| Part No | Description | Price |
|---------|--|--------|
| 800111 | Kit-Dema, 401P | \$8.10 |
| 800114 | Kit-Dema, 411P | 9.12 |
| 800117 | Kit-Dema, 412P | 13.75 |
| 800119 | Kit-Dema, 414P | 15.30 |
| 800121 | Kit-Dema, 416P | 20.68 |
| 800124 | Kit-Dema, A418P | 31.75 |
| 800126 | Kit-Dema, 0453P | 54.60 |
| 800127 | Kit-Dema, 47X | 16.18 |
| 800128 | Kit-Dema, 454P | 37.00 |
| 800129 | Kit-Dema, 201A/202A/203A/204A | \$3.06 |
| 800131 | Kit-Dema, 206A/208A/2012 | 5.04 |
| 800134 | Kit-Dema, 200C/201C/202C/203C/204C | 5.08 |
| 800137 | Kit-Dema, 206C/208C/201C | 4.94 |
| 800139 | Kit-Dema, 202B/203B/204B/206B | 4.32 |



180300



180305

UNIMAC PARTS

| Part No | Description | Price |
|---------|----------------------------------|---------|
| 180300 | Agitator-Unimac | \$73.05 |
| 180305 | Kit-Unimac, Agitator | 29.50 |
| 180315 | Spring-Unimac, Lid | 5.00 |
| 180320 | Coupler-Unimac, Motor, N/S | 21.50 |
| 190916 | Handle-Unimac, Faucet | 40.24 |
| 302561 | Timer-Unimac, 120 VAC | 149.15 |



005030

ADAMS SPRAY GUN REPAIR KIT

| Part No | Description | Price |
|---------|---------------------------------------|---------|
| 005030 | Kit-Adams, Spray Gun With No Weep.... | \$13.85 |
| 005031 | Kit-Adams, Spray Gun With Weep | 13.90 |

For a complete selection of repair kits,
please visit:

VISIT US ONLINE:

www.pecocarwash.com



033050

| Part No | Description | Price |
|---------|--|---------|
| 033050 | Shaft-Stl, 1-1/2 x 16" L Stress Proof | \$39.50 |
| 033025 | Shaft-Stl, 1-1/2 x 23" L Stress Proof | 46.30 |
| 097138 | Shaft-Stl, 1-1/2 x 48" L Stress Proof | 69.00 |
| 097139 | Shaft-Stl, 1-1/2" x 67" L Stress Proof | 79.00 |
| 157164 | Shaft-Stl, 1-1/2 x 79" L Stress Proof | 99.50 |



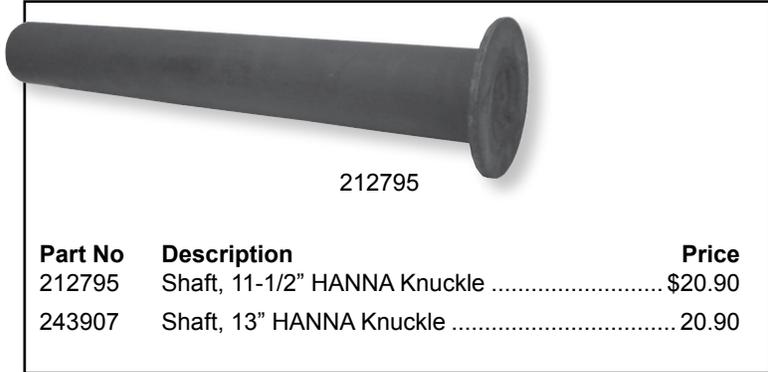
144261

| Part No | Description | Price |
|---------|---|---------|
| 144261 | Shock Absorber (Overtravel Hanna Wrap)..... | \$39.95 |



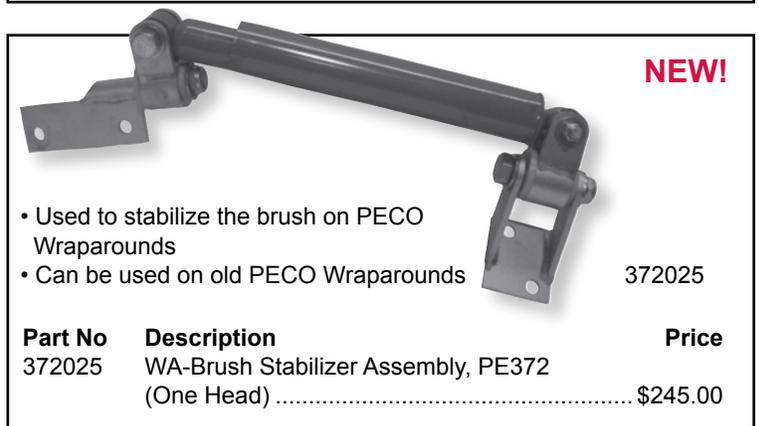
144277

| Part No | Description | Price |
|---------|---|---------|
| 144277 | WA-Shock, Arm Stabilizer (Gas Bag)..... | \$36.00 |



212795

| Part No | Description | Price |
|---------|------------------------------------|---------|
| 212795 | Shaft, 11-1/2" HANNA Knuckle | \$20.90 |
| 243907 | Shaft, 13" HANNA Knuckle | 20.90 |

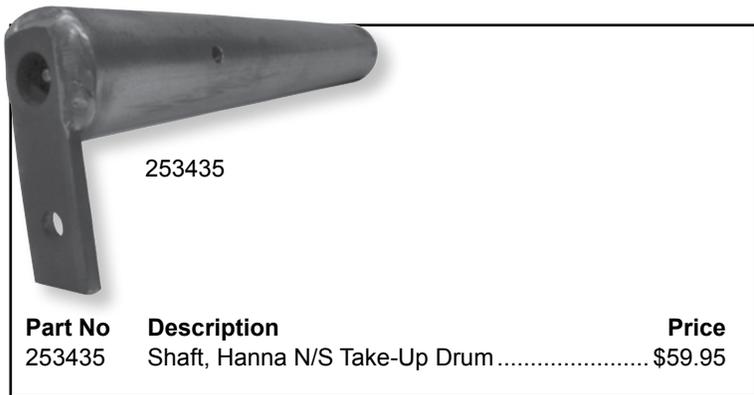


NEW!

- Used to stabilize the brush on PECO Wraparounds
- Can be used on old PECO Wraparounds

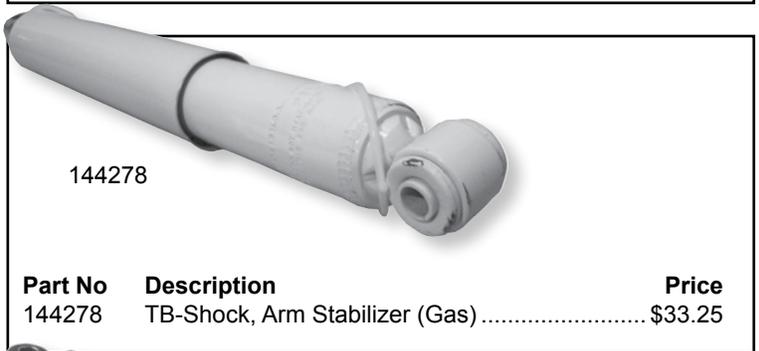
372025

| Part No | Description | Price |
|---------|--|----------|
| 372025 | WA-Brush Stabilizer Assembly, PE372 (One Head) | \$245.00 |



253435

| Part No | Description | Price |
|---------|-------------------------------------|---------|
| 253435 | Shaft, Hanna N/S Take-Up Drum | \$59.95 |



144278

| Part No | Description | Price |
|---------|--------------------------------------|---------|
| 144278 | TB-Shock, Arm Stabilizer (Gas) | \$33.25 |



144279

- Used on PECO Side Washer
- Used on Hanna TM Side Washers

| Part No | Description | Price |
|---------|---------------------------|---------|
| 144279 | SW-Stabilizer, Shock..... | \$20.40 |



144280

- PECO New Side Washer Replacement Assembly
- Can Be Used on Hanna TM Side Washers

| Part No | Description | Price |
|---------|---|---------|
| 144280 | SW-Spring/Stabilizer-Assembly, Complete | \$68.30 |



300341

- 1 5/8 HP /120vac /60 Hertz
- For Monorail/ D&S/ Adams and other vacuums

VACUUM MOTOR

| Part No | Description | Price |
|---------|---|---------|
| 300341 | Vac-Motor, Lamb..... | \$33.50 |
| 300340 | Vac-Brush, Lamb Vacuum Motor (Pair) | 9.95 |



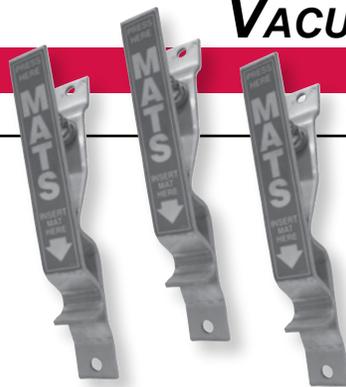
300550



300410

MONORAIL VACUUM PARTS

| Part No | Description | Price |
|---------|--|--------|
| 300390 | Vac-Catch Door, Monorail..... | \$6.35 |
| 300400 | Vac-Gasket, Monorail Door (G-2) (1 Piece Per Door | 14.30 |
| 300410 | Vac-Bag, Monorail Filter (Round) | 18.90 |
| 300420 | Vac-Bag, Monorail Filter (Tempest) | 23.50 |
| 300550 | Vac-Lock, Monorail Vault Door (Screw Type)..... | 18.85 |
| 300560 | Vac-Wrench, Monorail Security | 5.20 |
| 300570 | Vac-Screw, Monorail Security Cap (W/Washer)..... | 2.30 |
| 300580 | Vac-Nut, Monorail Timmerman | 1.65 |
| 300730 | Vac-Key Switch, Monorail Manual Operation | 18.15 |
| 300850 | Vac-Fuse & Holder, Monorail | 3.25 |
| 300860 | Vac-Fuse, Monorail 10 AMP | 1.95 |
| 300910 | Vac-Lock, Monorail Vault Door (Plug Type) | 19.95 |



301380

| Part No | Description | Price |
|---------|------------------|-----------|
| 301380 | Mat Holder | \$13.95ea |



401009

| Part No | Description | Price |
|---------|---|---------|
| 401009 | Vac-Hose, 2" CP (15' Length) (Grey)..... | \$61.25 |
| 401007 | Vac-Hose, 1-1/2" CP (15' Length) (Grey).. | 35.80 |



401017 401019 401015

VACUUM HOSE ACCESSORIES

| Part No | Description | Price |
|---------|--|--------|
| 401011 | Vac-Nozzle, 1-1/2" Grey | \$1.85 |
| 401013 | Vac-Nozzle, 2" Grey..... | 2.76 |
| 401015 | Vac-Snorkle, 1-1/2" x 12" (Black)..... | 4.50 |
| 401017 | Vac-Snorkle, 1-1/2" x 23" (Black)..... | 7.50 |
| 401019 | Vac-Snorkle, 2" x 12" (Black)..... | 5.50 |
| 401021 | Vac-Coupling, 1-1/2 | 2.40 |
| 401025 | Vac-Coupling, 2 | 2.56 |
| 401027 | Vac-Cuff, 2 | 1.60 |
| 401029 | Vac-Cuff, 1-1/2 Swivel | 8.95 |
| 401031 | Vac-Cuff, 2 Swivel..... | 12.80 |

Shafts, Shocks & Stabilizers

Standard Car Wash
PARTS & SUPPLIES

PECO Equipment
REPLACEMENT PARTS

Car Wash
SYSTEMS

Vacuum Accessories

Car Wash
EQUIPMENT



007165

- Used for Controlling the Flow of Water & Air
- 24vac, 24vdc & 120vac
- Max. Temp 200° F
- Brass Body & Water Proof Coil

DEMA® SOLENOID VALVES

Maximum 150 PSI; Normally Closed

| Part No | Description | Price |
|---------|---|---------|
| 311902 | Valve-Dema, 1/4" Solenoid (24VAC)..... | \$41.60 |
| 311902b | Valve-Dema, 1/4" Solenoid (110VAC)..... | 41.60 |
| 311902c | Valve-Dema, 1/4" (24VDC/Conduit Coils/CE Label)..... | 43.50 |
| 311910 | Valve-Dema, 3/8" Solenoid (24VAC)..... | 57.10 |
| 311910b | Valve-Dema, 3/8" Solenoid (110VAC)..... | 56.45 |
| 117507 | Valve-Dema, 1/2" Low Volume Solenoid (24VAC)..... | 64.60 |
| 117507b | Valve-Dema, 1/2" Low Volume Solenoid (120VAC)..... | 60.85 |
| 117507c | Valve-Dema, 1/2" L/V (24VDC/Conduit Coils/CE Label)..... | 63.10 |
| 007165 | Valve-Dema, 3/4" Solenoid (24VAC) (Brass)..... | 86.90 |
| 007165b | Valve-Dema, 3/4" Solenoid (120VAC) (Brass)..... | 88.90 |
| 007169 | Valve-Dema, 1" Solenoid (24VAC) (Brass)..... | 117.15 |
| 007169b | Valve-Dema, 1" Solenoid (120VAC) (Brass)..... | 118.50 |



117523

DEMA® HIGH PRESSURE WATER SOLENOID VALVES

| Part No | Description | Price |
|--|--|----------|
| Maximum 1000 PSI; Normally Closed | | |
| 117523 | Valve-Dema, 1/2" High Pressure Solenoid (24VAC) (1000PSI)..... | \$119.25 |
| 117523b | Valve-Dema, 1/2" High Pressure Solenoid (110VAC) (1000PSI)..... | 119.25 |
| Maximum 1000 PSI; Normally Open | | |
| 325055 | Valve-Dema, Solenoid N.O. (0453P) (24VAC)..... | \$104.05 |
| 325055b | Valve-Dema, Solenoid N.O. (0453P) (110VAC)..... | 104.05 |



012682

- Used for injecting detergent within water.

DEMA® INJECTORS "LIQUID PORTIONING"

| Part No | Description | Price |
|-------------------------|---|---------|
| DEMA Injectors | | |
| 007163 | Valve-Dema, 1/8" In-Line Injector..... | \$58.65 |
| 316240 | Valve-Dema, 1/4" Injector (202C)..... | 33.21 |
| 316241 | Valve-Dema, 3/8" Injector (202C)..... | 52.60 |
| 325050 | Valve-Dema, 3/8" Injector (203B)..... | 50.60 |
| 325051 | Valve-Dema, 3/8" Injector SS (203BST-2) W/Viton Oring..... | 108.65 |
| 012682 | Valve-Dema, 1/2" Injector (204C)..... | 46.95 |
| 324483 | Valve-Dema, 1/2" Injector (204B)..... | 55.55 |
| 012690 | Valve-Dema, 3/4" Injector (206C)..... | 56.08 |
| 325054 | Valve-Dema, 3/4" Injector (206B)..... | 66.95 |
| 184440 | Valve-Dema, 1" Injector (208C)..... | 78.02 |
| DEMA Accessories | | |
| 007227 | Valve-Dema, 3/8" Check Foot..... | \$3.15 |
| 007229 | Valve-Dema, 1/2" Check Foot..... | 3.15 |



084921

SKINNER PNEUMATIC VALVES

| Part No | Description | Price |
|-----------------------------|---|----------|
| 3-Way Skinner Valves | | |
| 310292 | Valve-Skinner, 1/4" 3-Way (24VAC)..... | \$97.20 |
| 310292b | Valve-Skinner, 1/4" 3-Way (110VAC)..... | 97.20 |
| 4-Way Skinner Valves | | |
| 084921 | Valve-Skinner, 4-Way (24VAC)..... | \$105.95 |
| 084921b | Valve-Skinner, 4-WAY (110VAC)..... | 105.95 |

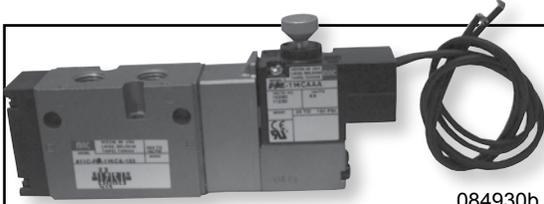
VALVES-INJECTORS-REGULATORS-UNLOADERS

084925



MEAD PNEUMATIC VALVES

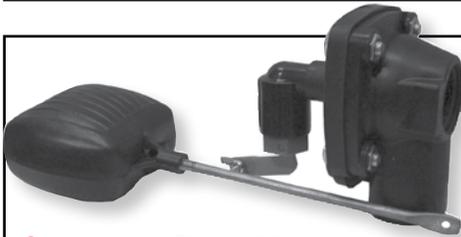
| Part No | Description | Price |
|---------|---------------------------------|----------|
| 084925 | Valve-Mead, 4-Way (24VAC)..... | \$110.25 |
| 084925b | Valve-Mead, 4-Way (110VAC)..... | 108.90 |



084930b

MAC PNEUMATIC VALVES

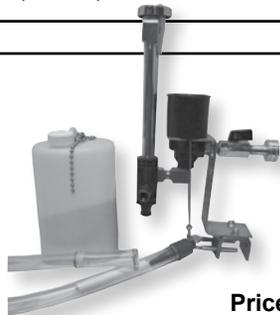
| Part No | Description | Price |
|---------|---|---------|
| 084930 | Valve-Mac, 4-Way (24VAC)..... | \$94.50 |
| 084930b | Valve-Mac, 4-Way (110VAC)..... | 98.25 |
| 084931 | Valve-Mac, 1/4" 3-Way Manual Lever..... | 37.95 |



007214

CLEVELAND FLOAT VALVE

| Part No | Description | Price |
|---------|--|---------|
| 007214 | Valve-Cleveland, 1" Float (Plastic)..... | \$81.65 |



007211

HYDROMINDER FLOAT VALVES

| Part No | Description | Price |
|---------|---|----------|
| 007213 | Hydrominder, 2.5 GPM W/Siphon Breaker (515)..... | \$125.95 |
| 007211 | Hydrominder, 4.5 GPM W/Siphon Breaker (511)..... | 147.85 |
| 007209 | Hydrominder, 4.5 GPM (506)..... | 119.95 |
| 007208 | Hydrominder, 9.5 GPM W/Siphon Breaker (530)..... | 164.85 |
| 007215 | Hydrominder, 25 GPM W/Inductor (564H)..... | 237.35 |
| 007270 | Hydrominder, 44 GPM (572)..... | 193.50 |

007192



REGULATORS

| Part No | Description | Price |
|---------|--|----------|
| 007192 | Valve-Wanner, Regulator (C23)..... | \$293.35 |
| 007195 | Valve-Wanner, Regulator (C22) 500-1000 PSI..... | 210.85 |
| 007197 | Valve-Wanner, Regulator (C24)..... | 737.50 |
| 007190 | Valve-Myers, Regulator..... | 346.25 |

029332



UNLOADERS

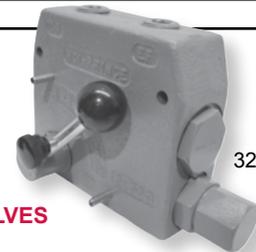
| Part No | Description | Price |
|---------|--|----------|
| 029332 | Valve-Cat, Unloader (Brass)..... | \$137.05 |
| 007189 | Valve-Giant, Unloader (Bronze) (Yellow)... | 119.55 |

325056



HYDRAULIC SOLENOID VALVES

| Part No | Description | Price |
|---------|--|--------|
| 325056 | Valve-Delta, 3/8" HP Hyd N.O. (24VAC).\$ | 160.00 |
| 325056b | Valve-Delta, 3/8" HP Hyd N.O. (120VAC). | 160.00 |



320796

HYDRAULIC PRINCE VALVES

| Part No | Description | Price |
|----------------------------|---|----------|
| Flow Control Valves | | |
| 320796 | Valve-Prince, Priority (0-8 GPM)..... | \$112.85 |
| 317172 | Valve-Prince, Priority (0-16 GPM)..... | 112.95 |
| Flow Dividers | | |
| 317174 | Valve-Prince, Flow Divider 60/40 (16 GPM)\$ | 227.00 |
| 317170 | Valve-Prince, Flow Divider 50/50 (16 GPM) | 104.55 |
| 317171 | Valve-Prince, Flow Divider 50/50 (8 GPM) . | 115.90 |
| 317169 | Valve-Prince, Flow Divider (Adjustable One Side) (16 GPM)..... | 128.75 |

Standard Car Wash
PARTS & SUPPLIES

PECO Equipment
REPLACEMENT PARTS

Car Wash
SYSTEMS

Car Wash
EQUIPMENT

Valves-Injectors-Regulators-Unloaders

NEW FROM PECO CAR WASH SYSTEMS!!!



- GREAT FOR NEW INVESTORS FOR BASIC TOOLS AND SUPPLIES AT THEIR NEW CAR WASH.
- GREAT FOR EXISTING CAR WASHERS WHO NEED TO ORGANIZE AND RE-EQUIP THEIR CAR WASH.

HEAVY DUTY CAR WASH TOOL BENCH SPECIFICATIONS:

- 24" Wide
- Powder Coated Metallic Grey
- 450 Pounds
- 5/16" Top Plated
- 35 1/2" Height
- 8' Long
- Polyurethane Heavy Duty 5" Caster w/Swivel and Side Cam Brake

CAR WASH TOOLS:

- 200 pcs. Craftsman Tool Set
- Screw Driver Set
- Come-Along
- Pipe Wrench
- Pliers Set
- Hand Grinder
- Heavy Duty Bench Vise
- Cut Off Saw Bench
- AEROQUIP Crimper
- 2-Ball Peen Hammers
- 8-Drawer Tool Chest

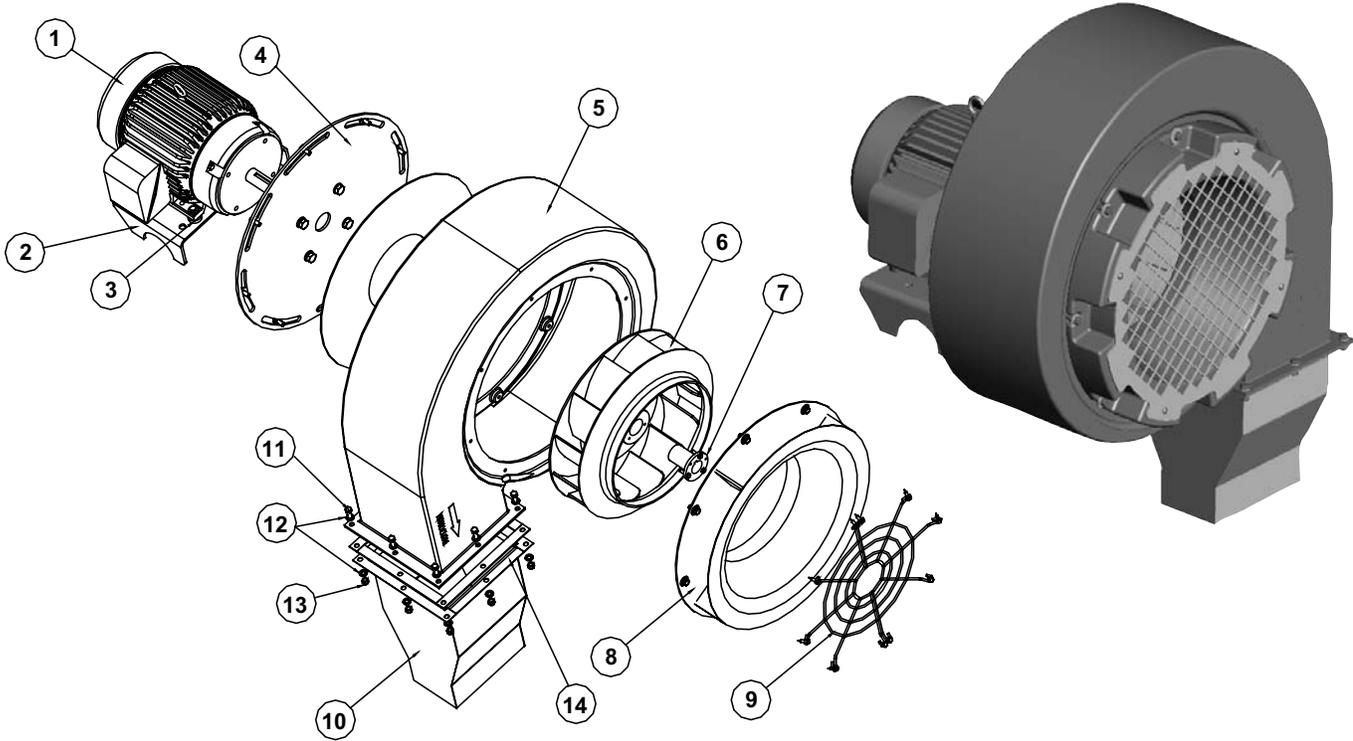
CAR WASH SUPPLIES:

- 250'-AEROQUIP Hyd. Hose
- 50-1/2" JIC Swage Fittings
- 250 -1/4" PolyFlow Hose
- 500 -3/8" PolyFlow Hose
- Nut & Bolt Assortment
- 12-Gease Tubes
- Penetrating Oil
- 250 -1/2" PolyFlow Hose
- Poly Flow Fittings Assortment
- 5 Gallons Hydraulic Oil
- High Pressure Fittings Assortment
- 100- 7" Tie Straps

CAR WASH BENCH

| Part No | Description | Price |
|---------|--|-------------|
| 997042 | Car Wash Bench, Tools & Supplies | \$ 8,995.00 |

PECO REPLACEMENT PARTS LIST



HERE IS A SAMPLING OF PECO'S EQUIPMENT REPLACEMENT PARTS LIST. IF YOU DO NOT SEE YOUR SPECIFIC PIECE OF EQUIPMENT, PLEASE REFER TO THE PECO WEBSITE FOR ALL EQUIPMENT MANUALS. THE PECO WEBSITE HAS A FULL UP TO DATE DATABASE ON NEW AND OLD PECO EQUIPMENT.

Here is the following replacement part lists located in this Car Wash Catalog:

PECO Equipment **REPLACEMENT PARTS LISTS**

- Conveyor & Rollers **Pages 64-75**
- Side Cleaning **Pages 76-79**
- Tire Washer **Pages 80-81**
- Front & Rear Cleaning **Pages 82-83**
- Top Cleaning **Page 84-85**
- Cleaning Combo's **Page 86-90**
- Dryers **Pages 92-95**
- Hydraulic Supply Systems . **Page 96-97**
- Pumps **Pages 98-99**
- Signs **Page 120**

Standard Car Wash
PARTS & SUPPLIES

PECO Equipment
REPLACEMENT PARTS

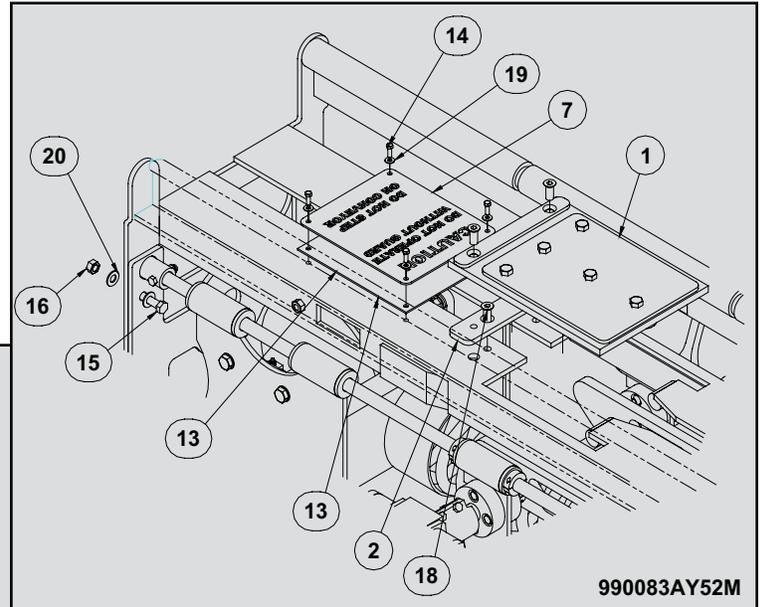
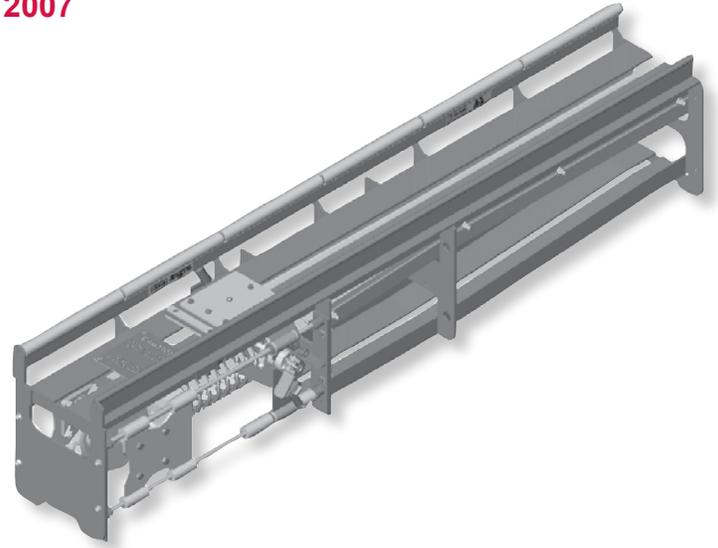
Peco Replacement Parts Lists

Car Wash
SYSTEMS

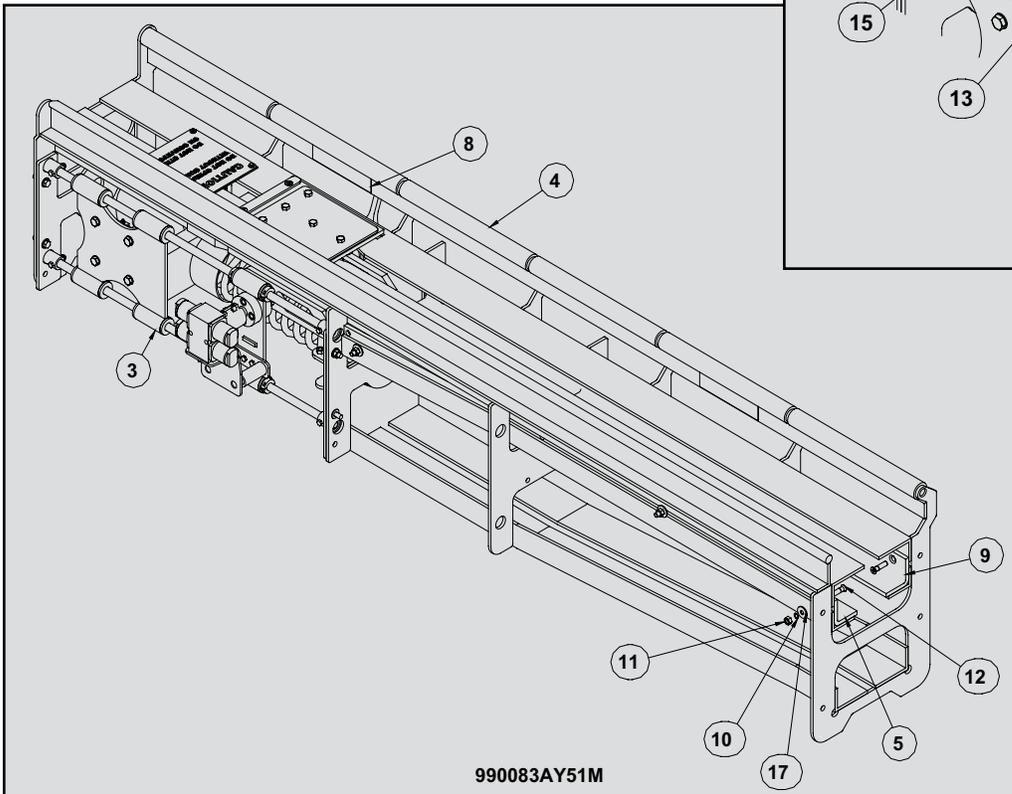
Car Wash
EQUIPMENT

ENTRANCE SECTION UENT-990083 JANUARY 2000 THRU JULY 2007

| ITEM | NAME | DESCRIPTION | QTY |
|------|--------|--|-----|
| 1 | 164220 | TD-ENTRANCE, COMPLETE BELTED PECO (DLX/ULT) | 1 |
| 2 | 164221 | TD-PLATE-PAINTED, ENT BOLT/ WELD DOWN | 1 |
| 3 | 510200 | CN-MODULE, ULTIMATE ENTRANCE | 1 |
| 4 | 510230 | CN-FRAME-PAINTED, ULT ENTRANCE | 1 |
| 5 | 510212 | CN-CENTER ANGLE-UHMW, ULT ENTRANCE P/S | 1 |
| 7 | 510078 | CN-PLATE-PAINT, ULTIMATE ENTRANCE (CAUTION) | 1 |
| 8 | 950407 | CN-DECAL, "CAUTION / DANGER" CONVEYOR LABEL (LAMINATED) | 2 |
| 9 | 510215 | CN-CENTER ANGLE-UHMW, ULT ENTRANCE D/S | 1 |
| 10 | 015602 | WASHER-LOCK-PLT, 1/2 | 7 |
| 11 | 016063 | NUT-HEX-PLT, 1/2 - 13 | 7 |
| 12 | 017167 | BOLT-FLAT HD-PLT, 1/2-13 x 2 | 7 |
| 13 | 510080 | CN-PLATE-PLASTIC, YELLOW SINTRA 3MM x 8-1/2" x 10" | 1 |
| 14 | 600001 | BOLT-HEX-SS, 1/4-20 x 3/4 | 4 |
| 15 | 600022 | BOLT-HEX-SS, 1/2-13 x 1-3/4 | 8 |
| 16 | 600134 | NUT-NYLON INSERT-SS, 1/2 - 13 | 8 |
| 17 | 015537 | WASHER-FLAT-PLT, 1/2 USS | 7 |
| 18 | 017856 | BOLT-SOCKET, 1/2-13 x 1 FLAT SCREW | 2 |
| 19 | 600147 | WASHER-FLAT-SS, 1/4 SAE | 4 |
| 20 | 600135 | WASHER-FLAT-SS, 1/2 SAE | 16 |



990083AY52M



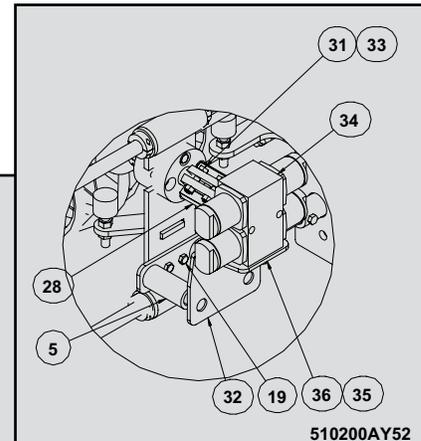
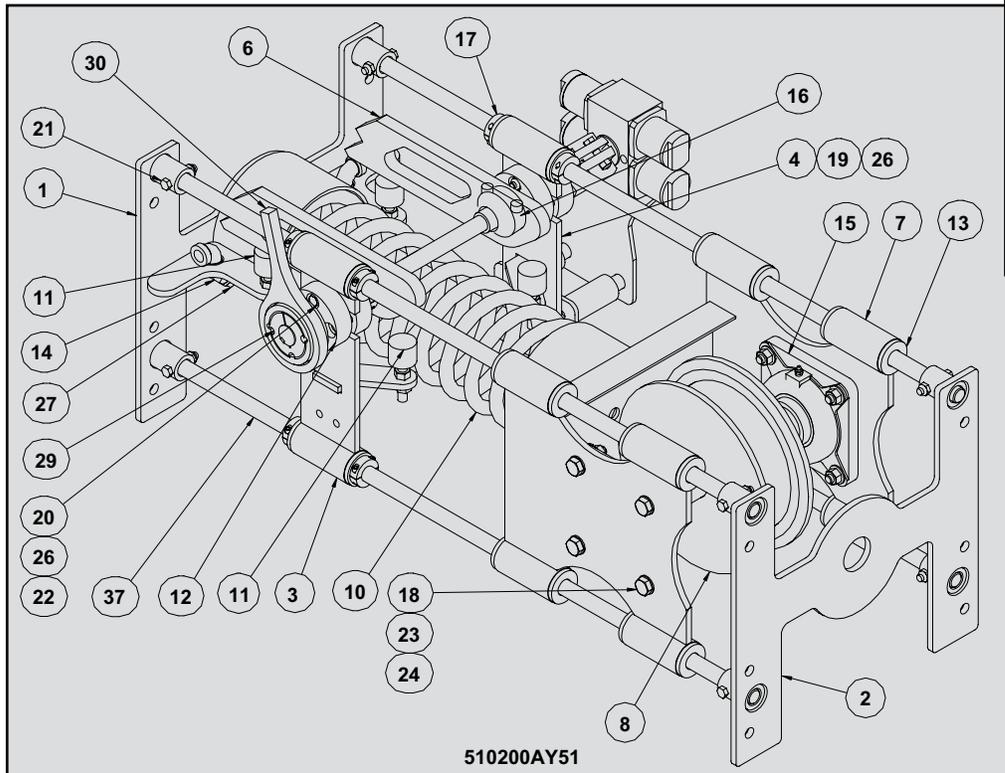
990083AY51M

ULTIMATE CONVEYOR 2000-2007 ENTRANCE

TAKE UP MODULE 510200

| ITEM | NAME | DESCRIPTION | QTY |
|------|--------|---|-----|
| 1 | 510201 | CN-HFRAME-PAINT, ULT SLIDE/SPRING SUPPORT | 1 |
| 2 | 510202 | CN-HFRAME-PAINT, ULT SLIDE RAIL SUPPORT | 1 |
| 3 | 510203 | CN-SLIDE-PAINT, ULT D/S FORK STOP | 1 |
| 4 | 510204 | CN-SLIDE-PAINT, ULT P/S FORK STOP | 1 |
| 5 | 510206 | CN-BKT-PAINT, ULT ACTUATOR STABILIZER | 1 |
| 6 | 510207 | CN-FORK-PAINT, ULT ROLLER LIFT | 1 |
| 7 | 510213 | CN-CAGE-PAINT, ULT TAKE-UP DRUM | 1 |
| 8 | 510214 | CN-DRUM-PAINT, ULT TAKE-UP | 1 |
| 9 | 510216 | CN-RAIL-SS, ULT SLIDE | 4 |
| 10 | 055260 | CN-SPRING, ULT 6-3/4 x 26 TAKE-UP | 1 |
| 11 | 228536 | STOP-RUBBER, 1-1/2 DIA x 1-1/4 LONG (1/2-13 x 2-1/2 BOLT) | 4 |
| 12 | 510244 | BRG-BUSH-UHMW, ULT FORK (YELLOW) | 4 |
| 13 | 510254 | BUSH-UHMW, ULT SLIDE INSERT (YELLOW) | 24 |
| 14 | 001658 | STREET ELL-BRASS, 3/8 NPT (45 DEGREE) | 2 |
| 15 | 010375 | BRG-4B-2 3/16, STD | 2 |
| 16 | 019753 | SET COLLAR-SS, 1-1/16 2PC | 2 |
| 17 | 019762 | SET COLLAR-SS, 7/8 2PC SPLIT W/SET SCREW | 8 |
| 18 | 600023 | BOLT-HEX-SS, 1/2-13x2 | 8 |
| 19 | 600030 | BOLT-HEX-SS, 3/8-16 X 1 | 2 |
| 20 | 600033 | BOLT-HEX-SS, 3/8-16x2-1/2 | 6 |
| 21 | 600036 | BOLT-HEX-SS, 3/8-16 x 2 | 8 |
| 22 | 600133 | WASHER-FLAT-SS, 3/8 SAE | 12 |

| ITEM | NAME | DESCRIPTION | QTY |
|------|--------|--|-----|
| 23 | 600134 | NUT-NYLON INSERT-SS, 1/2 - 13 | 8 |
| 24 | 600135 | WASHER-FLAT-SS, 1/2 SAE | 16 |
| 25 | 600142 | NUT-HEX-SS, 1/2 - 13 | 8 |
| 26 | 600160 | NUT-NYLON INSERT-SS, 3/8 - 16 | 16 |
| 27 | 801272 | NOZZLE-BRASS-3/8, 6530 VEEJET | 2 |
| 28 | 510024 | CN-FORK COUPLING-ALUM, 7/8 x 1-3/16 2-BOLT SPLIT | 1 |
| 29 | 510208 | TAPERLOCK-STL, 1-3/16 (2012) | 1 |
| 30 | 510209 | CN-ARM-PLT, ULT MANUAL | 1 |
| 31 | 017301 | BOLT-HEX-PLT, 3/8-16 x 1-1/2 GR5 (MFG ONLY) | 2 |
| 32 | 510205 | CN-BKT-PAINT, ULT ACTUATOR (ANGLE STYLE) | 1 |
| 33 | 016261 | NUT-NYLON INSERT-PLT, 3/8 - 16 (MFG ONLY) | 2 |
| 34 | 311705 | CN-ACTUATOR, 7/8 ROTARY SHAFT | 1 |
| 35 | 015578 | WASHER-LOCK-PLT, 5/16 | 2 |
| 36 | 017209 | BOLT-HEX-PLT, 5/16-18 x 3/4 GR5 | 2 |
| 37 | 510216 | CN-RAIL-SS, ULT SLIDE | 4 |



Standard Car Wash
PARTS & SUPPLIES

PECO Equipment
REPLACEMENT PARTS

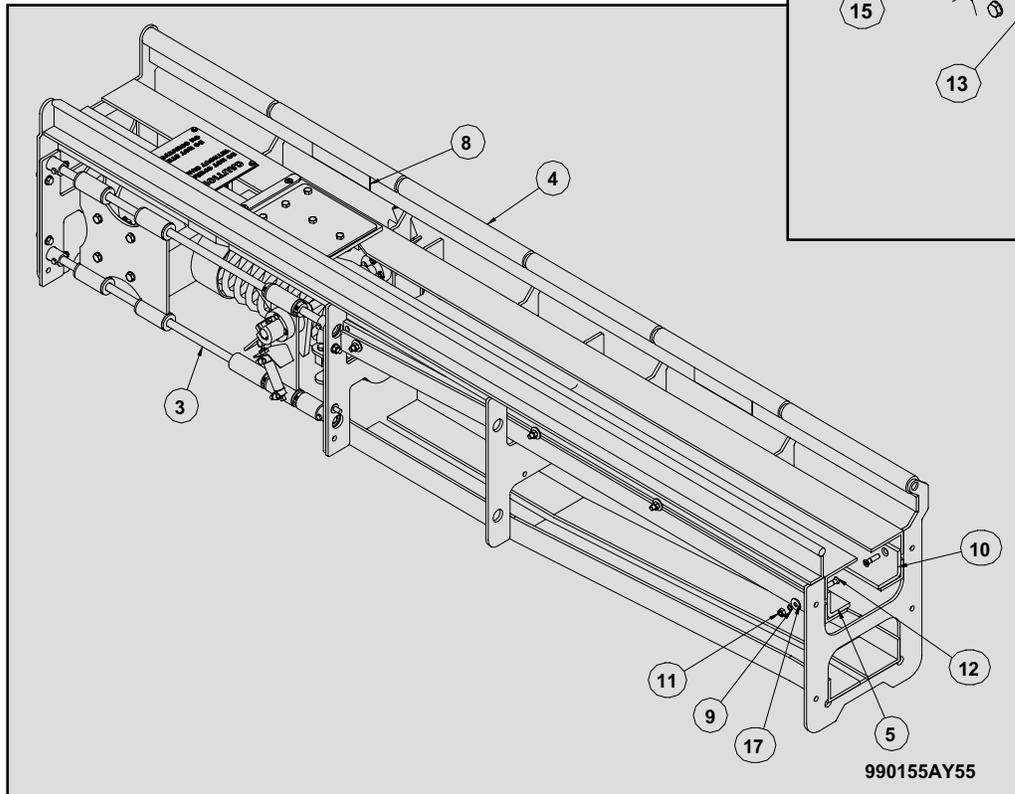
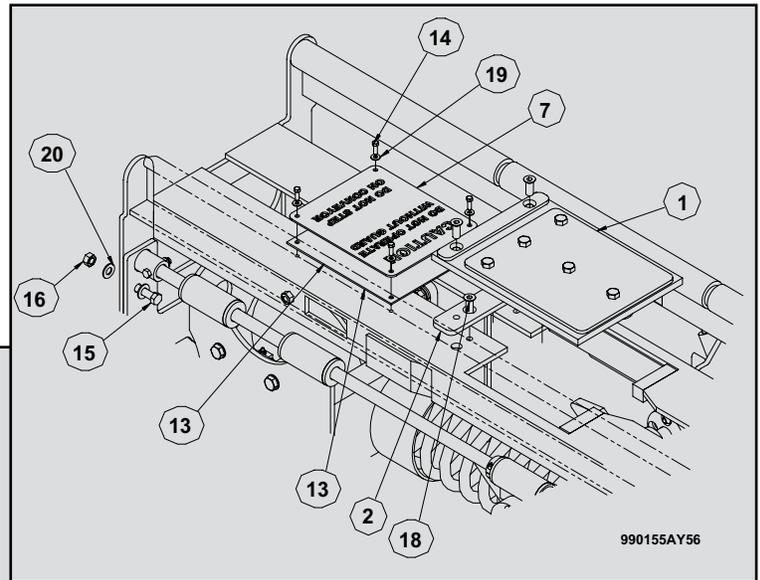
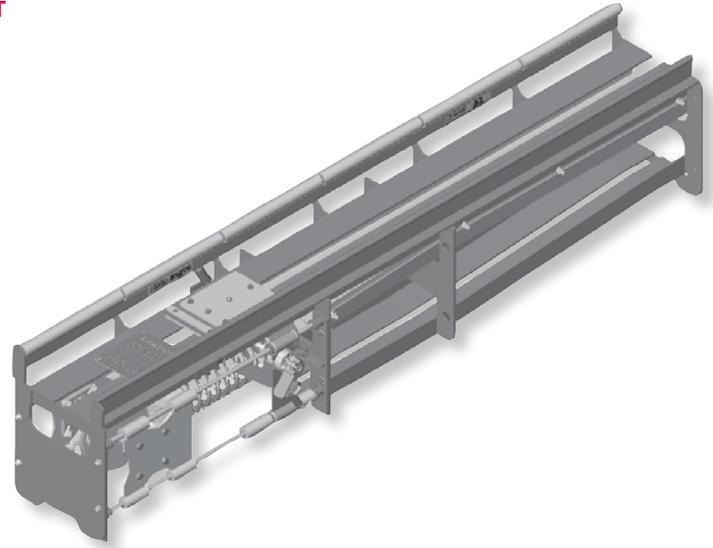
Car Wash
SYSTEMS

Car Wash
EQUIPMENT

Ultimate Conveyor 2000-2007

ENTRANCE SECTION UENTUF-990155 JULY 2007 TO PRESENT

| ITEM | NAME | DESCRIPTION | QTY |
|------|--------|--|-----|
| 1 | 164220 | TD-ENTRANCE, COMPLETE BELTED PECO (DLX/ULT) | 1 |
| 2 | 164221 | TD-PLATE-PAINTED, ENT BOLT/WELD DOWN | 1 |
| 3 | 510500 | CN-MODULE, ULTIMATE ENTRANCE W/TUFF | 1 |
| 4 | 510530 | CN-FRAME-PAINTED, ULT ENTRANCE (TUFF) | 1 |
| 5 | 510212 | CN-CENTER ANGLE-UHMW, ULT ENTERANCE P/S | 1 |
| 7 | 510078 | CN-PLATE-PAINT, ULTIMATE ENTRANCE (CAUTION) | 1 |
| 8 | 950407 | CN-DECAL, "CAUTION / DANGER" CONVEYOR LABEL (LAMINATED) | 2 |
| 9 | 015602 | WASHER-LOCK-PLT, 1/2 | 8 |
| 10 | 510215 | CN-CENTER ANGLE-UHMW, ULT ENTERANCE D/S | 1 |
| 11 | 016063 | NUT-HEX-PLT, 1/2 - 13 | 8 |
| 12 | 017167 | BOLT-FLAT HD-PLT, 1/2-13 x 2 | 8 |
| 13 | 510080 | CN-PLATE-PLASTIC, YELLOW SINTRA 3MM x 8-1/2" x 10" | 1 |
| 14 | 600001 | BOLT-HEX-SS, 1/4-20 x 3/4 | 4 |
| 15 | 600022 | BOLT-HEX-SS, 1/2-13 x 1-3/4 | 8 |
| 16 | 600134 | NUT-NYLON INSERT-SS, 1/2 - 13 | 8 |
| 17 | 015537 | WASHER-FLAT-PLT, 1/2 USS | 8 |
| 18 | 017856 | BOLT-SOCKET, 1/2-13 x 1 FLAT SCREW | 2 |
| 19 | 600147 | WASHER-FLAT-SS, 1/4 SAE | 4 |
| 20 | 600135 | WASHER-FLAT-SS, 1/2 SAE | 16 |

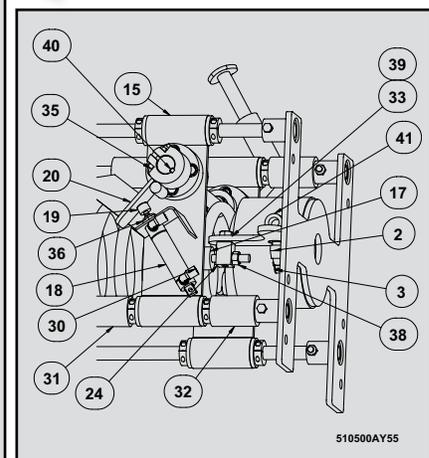
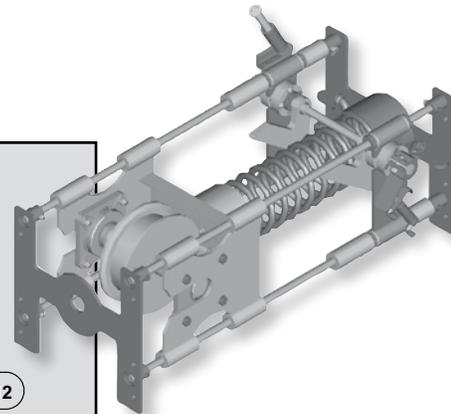
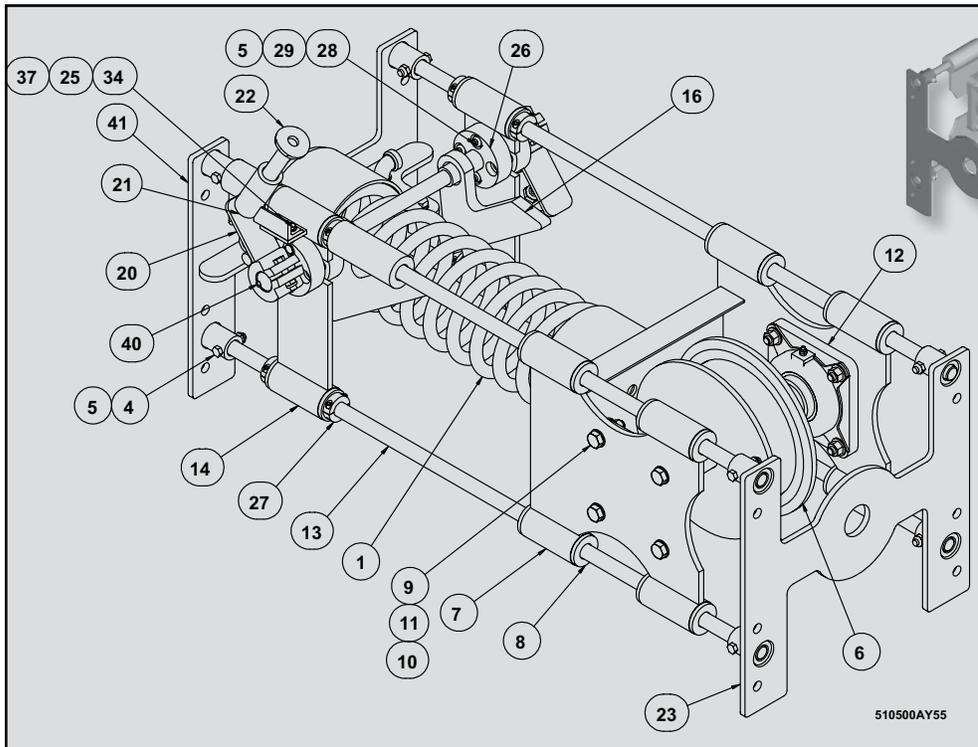


ULTIMATE CONVEYOR 2007-PRESENT ENTRANCE

TAKE UP MODULE 510500

| ITEM | NAME | DESCRIPTION | QTY |
|------|--------|--|-----|
| 1 | 055260 | CN-SPRING, ULT 6-3/4 x 26 TAKE-UP | 1 |
| 2 | 001658 | STREET ELL-BRASS, 3/8 NPT (45 DEGREE) | 2 |
| 3 | 801272 | NOZZLE-BRASS-3/8, 6530 VEEJET | 2 |
| 4 | 600036 | BOLT-HEX-SS, 3/8-16 x 2 | 8 |
| 5 | 600160 | NUT-NYLON INSERT-SS, 3/8 - 16 | 16 |
| 6 | 510214 | CN-DRUM-PAINT, ULT TAKE-UP | 1 |
| 7 | 510213 | CN-CAGE-PAINT, ULT TAKE-UP DRUM | 1 |
| 8 | 510254 | BUSH-UHMW, ULT SLIDE INSERT (YELLOW) | 24 |
| 9 | 600023 | BOLT-HEX-SS, 1/2-13x2 | 8 |
| 10 | 600134 | NUT-NYLON INSERT-SS, 1/2 - 13 | 8 |
| 11 | 600135 | WASHER-FLAT-SS, 1/2 SAE | 16 |
| 12 | 010375 | BRG-4B-2 3/16, STD | 2 |
| 13 | 510216 | CN-RAIL-SS, ULT SLIDE | 1 |
| 14 | 510225 | CN-SLIDE-PAINT, ULT-TUF D/S FORK | 1 |
| 15 | 510226 | CN-SLIDE-PAINT, ULT-TUF P/S FORK | 1 |
| 16 | 510217 | CN-FORK-PAINT, ULT-TUF | 1 |
| 17 | 228536 | STOP-RUBBER, 1-1/2 DIA x 1-1/4 LONG (1/2-13 x 2-1/2 BOLT) | 2 |
| 18 | 027805 | CYLINDER-ARO, 1-1/16 BORE x 2 STROKE | 1 |
| 19 | 027804 | CYLINDER-BUMPER, 3/4 x 5/8 x 5/16-24 NEOPRENE | 1 |
| 20 | 510236 | CN-LIFT ARM-ALUM, ULT-TUF | 2 |
| 21 | 510234 | CN-LIFT BKT-PAINT, ULT-TUF | 1 |
| 22 | 510235 | CN-LIFT ROD-PAINT, ULT-TUF | 1 |
| 23 | 510202 | CN-HFRAME-PAINT, ULT SLIDE RAIL SUPPORT | 1 |

| ITEM | NAME | DESCRIPTION | QTY |
|------|--------|--|-----|
| 24 | 510228 | CN-REST BLOCK-PAINT, ULT-TUF | 2 |
| 25 | 600186 | NUT-NYLON INSERT-SS, 1/4 - 20 | 2 |
| 26 | 510244 | BRG-BUSH-UHMW, ULT FORK (YELLOW) | 4 |
| 27 | 019762 | SET COLLAR-SS, 7/8 2PC SPLIT W/SET SCREW | 8 |
| 28 | 600033 | BOLT-HEX-SS, 3/8-16x2-1/2 | 6 |
| 29 | 600133 | WASHER-FLAT-SS, 3/8 SAE | 12 |
| 30 | 001928 | ELBOW-PLASTIC, ML SWIVEL (3/8 TUBE - 1/8 NPT) | 2 |
| 31 | 510242 | CN-TAKE UP STOP-UHMW, 5" ENTRANCE ULT-TUF | 2 |
| 32 | 510243 | CN-TAKE UP STOP-UHMW, 3" EXIT ULT-TUF | 2 |
| 33 | 600153 | WASHER-LOCK-SS, 1/2 | 2 |
| 34 | 600000 | BOLT-HEX-SS, 1/4-20 x 1 | 2 |
| 35 | 600035 | BOLT-HEX-SS, 3/8-16 x 1-3/4 | 2 |
| 36 | 016346 | NUT-NYLON INSERT-PLT, 5/8 - 18 JAM (MFG ONLY) | 1 |
| 37 | 600147 | WASHER-FLAT-SS, 1/4 SAE | 4 |
| 38 | 600142 | NUT-HEX-SS, 1/2 - 13 | 2 |
| 39 | 600019 | BOLT-HEX-SS, 1/2-13 x 1 | 2 |
| 40 | 002023 | KEY STOCK-PLN, 1/4 x 1/4 (12" LENGTH) | 1 |
| 41 | 510201 | CN-HFRAME-PAINT, ULT SLIDE/SRING SUPPORT | 1 |



Standard Car Wash
PARTS & SUPPLIES

PECO Equipment
REPLACEMENT PARTS

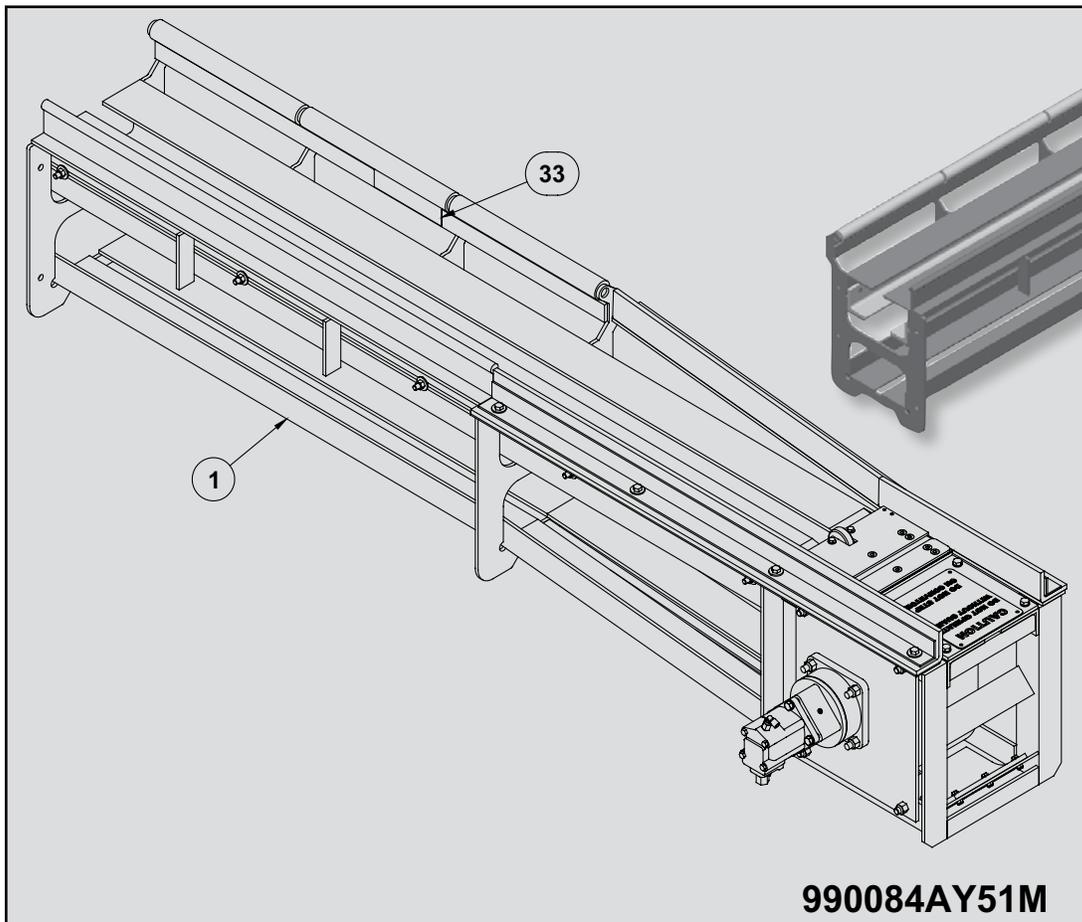
Ultimate Conveyor

Car Wash
SYSTEMS

Car Wash
EQUIPMENT

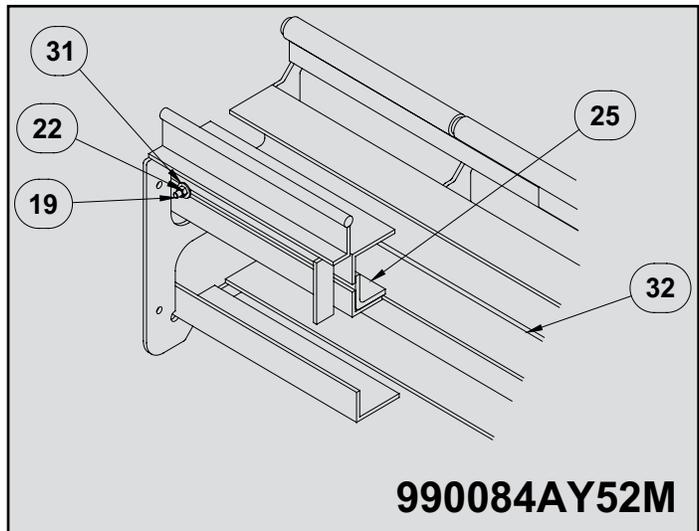
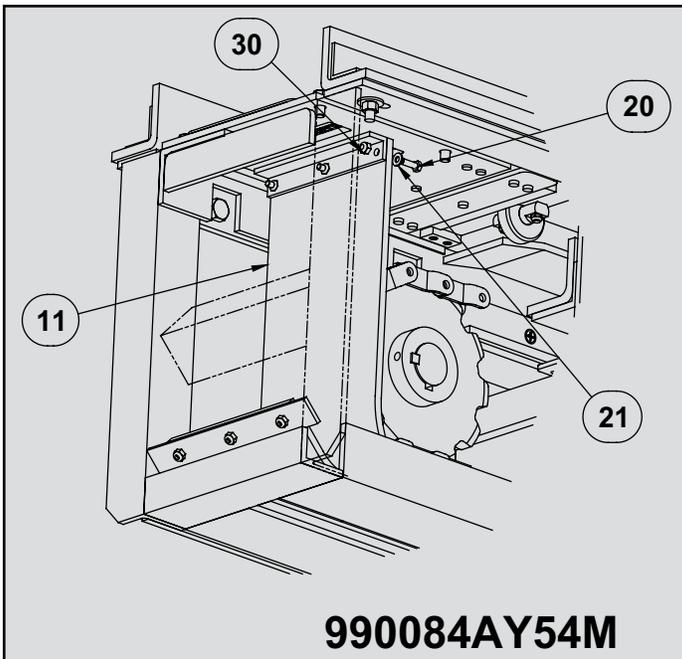
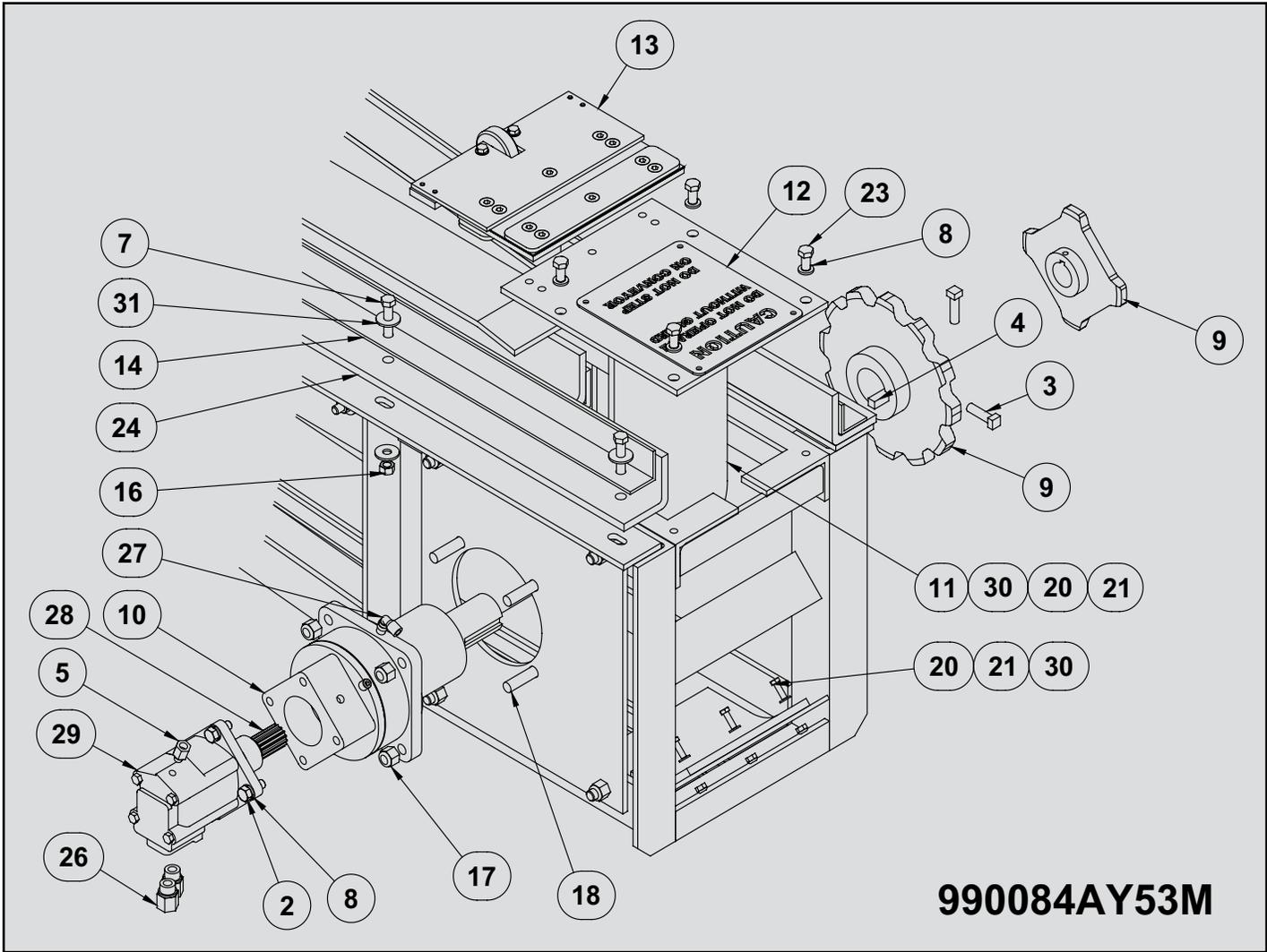
EXIT SECTION UEXT-990084 JANUARY 2000 TO PRESENT

| ITEM | NAME | DESCRIPTION | QTY | ITEM | NAME | DESCRIPTION | QTY |
|------|--------|---|-----|------|--------|--|-----|
| 1 | 510240 | CN-FRAME-PAINTED, ULT EXIT | 1 | 20 | 017210 | BOLT-HEX-PLT, 5/16-18 x 1 GR5 | 6 |
| 2 | 600020 | BOLT-HEX-SS, 1/2-13 x 1-1/4 | 4 | 21 | 015420 | WASHER-FLAT-PLT, 5/16 SAE | 6 |
| 3 | 017168 | SET SCREW-PLT, 1/2-13 x 1-1/4 SQ HD | 2 | 22 | 016063 | NUT-HEX-PLT, 1/2 - 13 | 10 |
| 4 | 002019 | KEY STOCK-PLT, 1/2 x 1/2 | 1 | 23 | 600019 | BOLT-HEX-SS, 1/2-13 x 1 | 4 |
| 5 | 184698 | ADAPTER-PLT, 7/16 STRAIGHT THRD O-RING x 1/4 NPT | 1 | 24 | 510245 | CN-TOP ANGLE-UHMW, ULTIMATE EXIT (YELLOW) D/S-P/S | 2 |
| 6 | 001980 | PLUG-PLT, 1/4 NPT SOCKET HD | 1 | 25 | 510238 | CN-CENTER ANGLE-UHMW, ULT EXIT P/S | 1 |
| 7 | 017490 | BOLT-HEX-PLT, 1/2-13 x 2-1/4 GR5 | 8 | 26 | 001391 | ADAPTER-PLT, 7/8" STRAIGHT THRD O-RING x 1/2" NPT FM | 2 |
| 8 | 600153 | WASHER-LOCK-SS, 1/2 | 8 | 27 | 001550 | ELBOW-PLASTIC, 3/8 TUBE x 3/8 NPT (90 DEGREE)PUSHLOCK | 1 |
| 9 | 170084 | CN-SPROCKET, 2-1/4" 12T | 1 | 28 | 007763 | GEAR KIT-HECO, SUN | 1 |
| 9 | 269912 | CN-SPROCKET, 2-1/4" 4T | 1 | 29 | 007981 | MOTOR-HYD, 106-1012 CHAR-LYNN | 1 |
| 10 | 007762 | GEAR BOX-HECO, 2-1/4 SHAFT KEYED 5-1 RATIO CF HYD DR | 1 | 30 | 016154 | NUT-NYLON INSERT-PLT, 5/16 - 18 | 6 |
| 11 | 510015 | CN-HANG DOWN-RUBBER, PECO EXIT | 1 | 31 | 015537 | WASHER-FLAT-PLT, 1/2 USS | 26 |
| 12 | 510081 | CN-PLATE-PAINTED, PECO EXIT BASE | 1 | 32 | 510239 | CN-CENTER ANGLE-UHMW, ULT EXIT D/S | 1 |
| 13 | 164205 | TD-EXIT, COMPLETE BELTED, PECO (DLX/ULT) | 1 | 33 | 950407 | CN-DECAL, "CAUTION / DANGER" CONVEYOR LABEL (LAMINATED) | 1 |
| 14 | 510246 | CN-TOP ANGLE-GALV, ULTIMATE EXIT | 2 | 34 | 880591 | PLATE-A36, 3/8 x 12 x 18 (DRIVE OFF PLATE) | 1 |
| 15 | 510017 | CN-CUSHION-RUBBER, PECO EXIT ROLLER | 1 | 35 | 990084 | ANGLE, 1-1/2 x 1-1/2 x 1/4 | 1 |
| 16 | 016287 | NUT-NYLON INSERT-PLT, 1/2 - 13 (MFG ONLY) | 8 | | | | |
| 17 | 016295 | NUT-NYLON INSERT-PLT, 5/8 - 11 | 4 | | | | |
| 18 | 017582 | BOLT-HEX-PLT, 5/8-11 x 2-1/2 | 4 | | | | |
| 19 | 017167 | BOLT-FLAT HD-PLT, 1/2-13 x 2 | 10 | | | | |



990084AY51M

ULTIMATE CONVEYOR EXIT SECTION



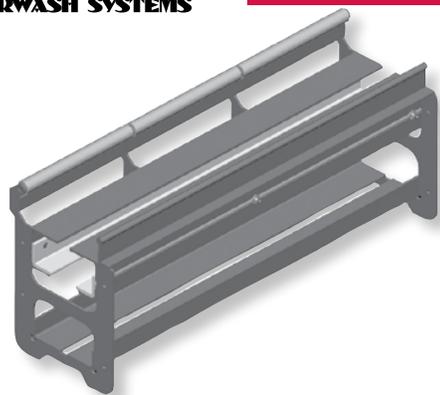
Standard Car Wash
PARTS & SUPPLIES

PECO Equipment
REPLACEMENT PARTS

Ultimate Conveyor

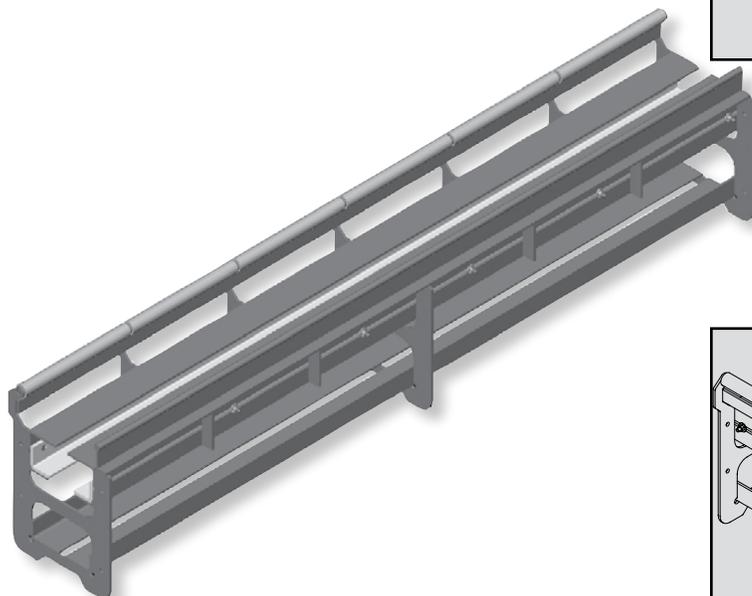
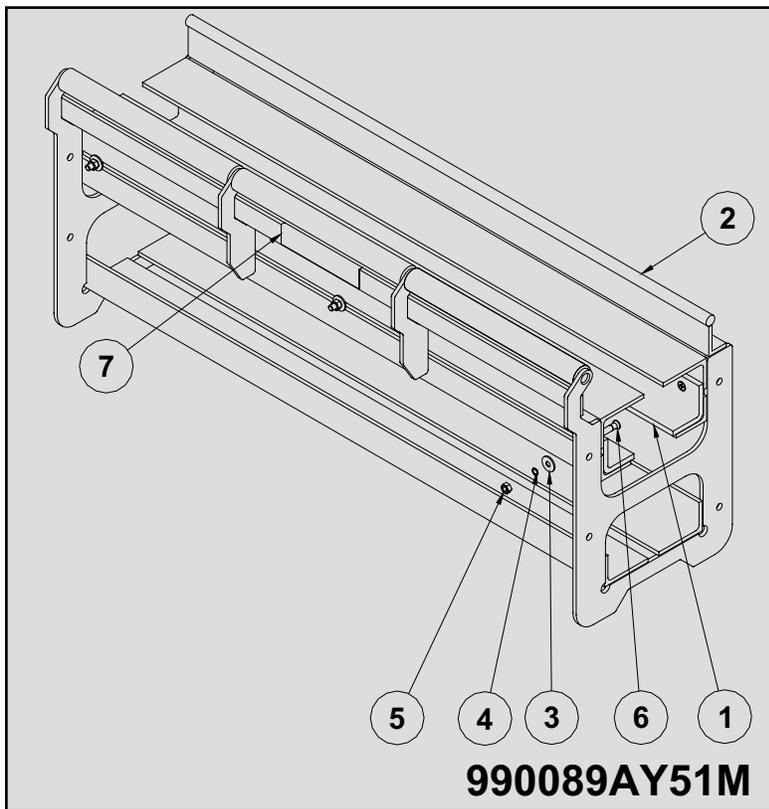
Car Wash
SYSTEMS

Car Wash
EQUIPMENT



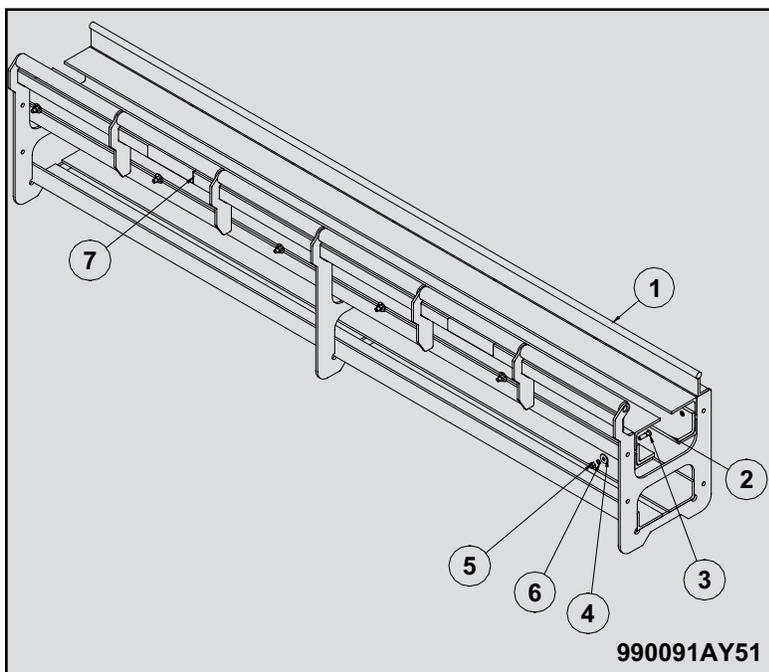
CENTER SECTION UC05-990089

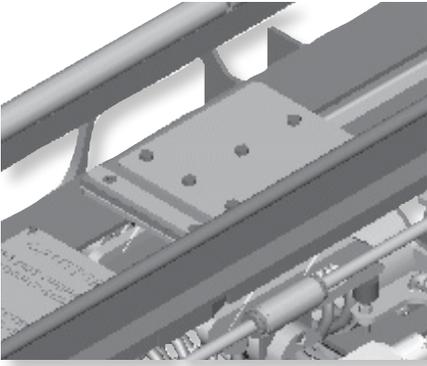
| ITEM | NAME | DESCRIPTION | QTY |
|------|--------|--|-----|
| 1 | 510248 | CN-CENTER ANGLE-UHMW, ULT 5' | 2 |
| 2 | 510255 | CN-FRAME-PAINTED, ULT 5' CENTER | 1 |
| 3 | 015537 | WASHER-FLAT-PLT, 1/2 USS | 6 |
| 4 | 015602 | WASHER-LOCK-PLT, 1/2 | 6 |
| 5 | 016063 | NUT-HEX-PLT, 1/2 - 13 | 6 |
| 6 | 017167 | BOLT-FLAT HD-PLT, 1/2-13 x 2 | 6 |
| 7 | 950407 | CN-DECAL, "CAUTION / DANGER" CONVEYOR LABEL (LAMINATED) | 1 |
| 8 | 880004 | ANGLE, 1-1/2 x 1-1/2 x 1/4 | 1 |



CENTER SECTION UC10-990091

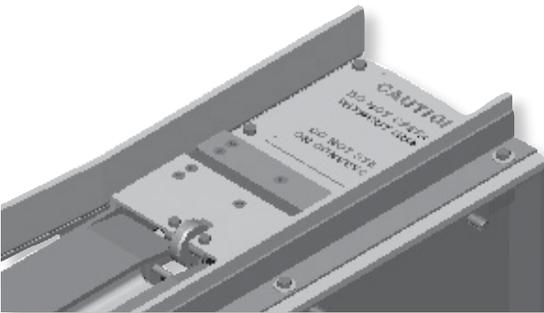
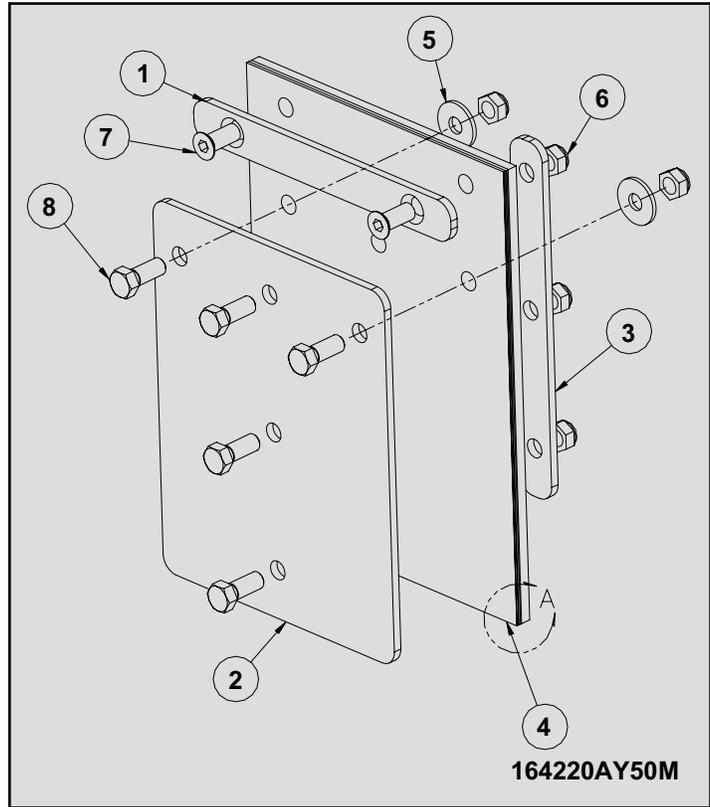
| ITEM | NAME | DESCRIPTION | QTY |
|------|--------|--|-----|
| 1 | 510250 | CN-FRAME-PAINTED, ULT 10' CENTER | 1 |
| 2 | 510249 | CN-CENTER ANGLE-UHMW, ULT 10' | 2 |
| 3 | 017167 | BOLT-FLAT HD-PLT, 1/2-13 x 2 | 12 |
| 4 | 015537 | WASHER-FLAT-PLT, 1/2 USS | 12 |
| 5 | 016287 | NUT-NYLON INSERT-PLT, 1/2 - 13 (MFG ONLY) | 12 |
| 6 | 015602 | WASHER-LOCK-PLT, 1/2 | 12 |
| 7 | 950407 | CN-DECAL, "CAUTION / DANGER" CONVEYOR LABEL (LAMINATED) | 2 |
| 8 | 880004 | ANGLE, 1-1/2 x 1-1/2 x 1/4 | 1 |





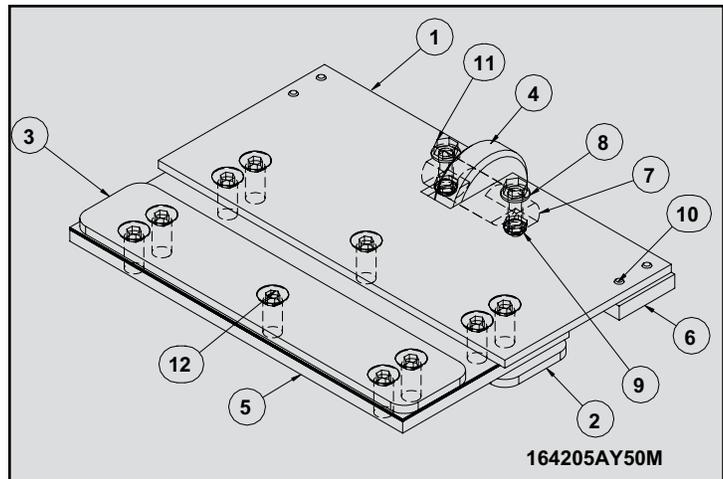
ENTRANCE TRAP DOOR 164220

| ITEM | NAME | DESCRIPTION | QTY |
|------|--------|---|-----|
| 1 | 164223 | FLAT, 1/4 x 1-1/4 | 1 |
| 2 | 164224 | TD-PLATE-PAINTED, ENT. TOP | 1 |
| 3 | 164225 | FLAT, 1/4 x 1-1/4 | 1 |
| 4 | 510098 | TD-RUBBER, PECO ENTRANCE REPLACEMENT | 1 |
| 5 | 015537 | WASHER-FLAT-PLT, 1/2 USS | 2 |
| 6 | 016279 | NUT-NYLON INSERT-PLT, 1/2 - 13 JAM | 5 |
| 7 | 600015 | BOLT-FLAT HD-SS, 1/2-13 x 1 SOCKET (MFG ONLY) | 2 |
| 8 | 600020 | BOLT-HEX-SS, 1/2-13 x 1-1/4 | 5 |



EXIT TRAP DOOR 164205

| ITEM | NAME | DESCRIPTION | QTY |
|------|--------|---|-----|
| 1 | 164206 | TD-PLATE-PAINTED, EXIT MAIN TOP | 1 |
| 2 | 164207 | TD-PLATE-PAINTED, EXIT SQUEEZE | 1 |
| 3 | 164208 | TD-PLATE-PAINTED, EXIT HOLD DOWN | 1 |
| 4 | 177873 | TD-EXIT WHEEL-STL | 1 |
| 5 | 510096 | TD-RUBBER, PECO EXIT REPLACEMENT | 1 |
| 6 | 510097 | TD-PAD, EXIT CUSHION (REPLACEMENT) | 1 |
| 2 | | | |
| 7 | 177881 | TD-EXIT WHEEL SHAFT-STL | 1 |
| 8 | 600133 | WASHER-FLAT-SS, 3/8 SAE | 2 |
| 9 | 600132 | NUT-NYLON INSERT-SS, 3/8 - 16 JAM | 2 |
| 10 | 017162 | SCREW-MACH-SS, 1/4 - 20 x 3/4 FLT HD | 4 |
| 11 | 600034 | BOLT-HEX-SS, 3/8-16 x 1-1/4 | 2 |
| 12 | 600015 | BOLT-FLAT HD-SS, 1/2-13 x 1 SOCKET (MFG ONLY) | 10 |



Standard Car Wash
PARTS & SUPPLIES

PECO Equipment
REPLACEMENT PARTS

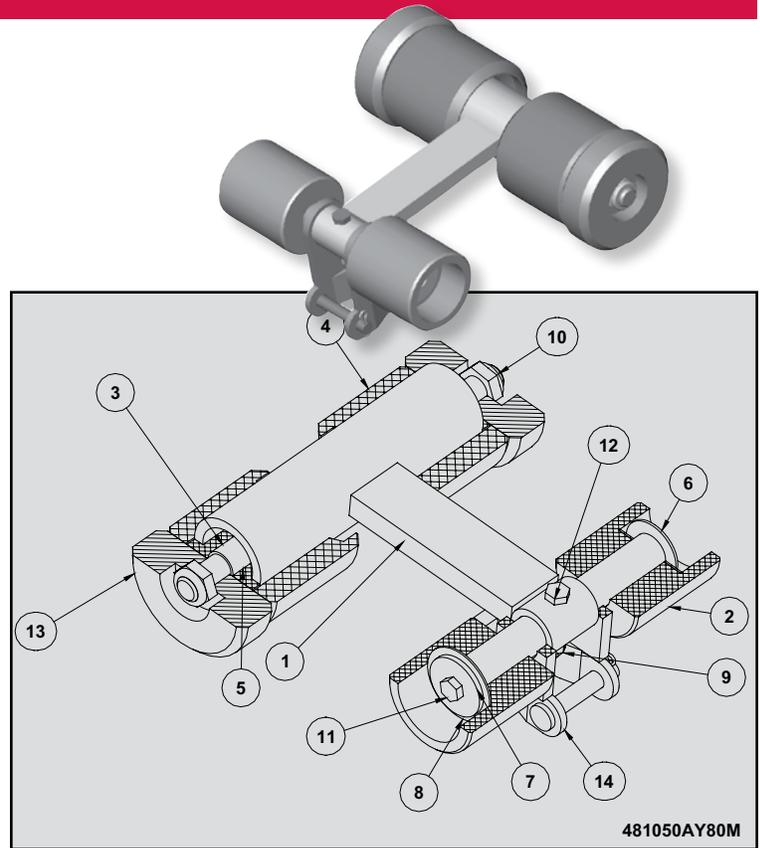
Car Wash
SYSTEMS

Car Wash
EQUIPMENT

Ultimate Conveyor

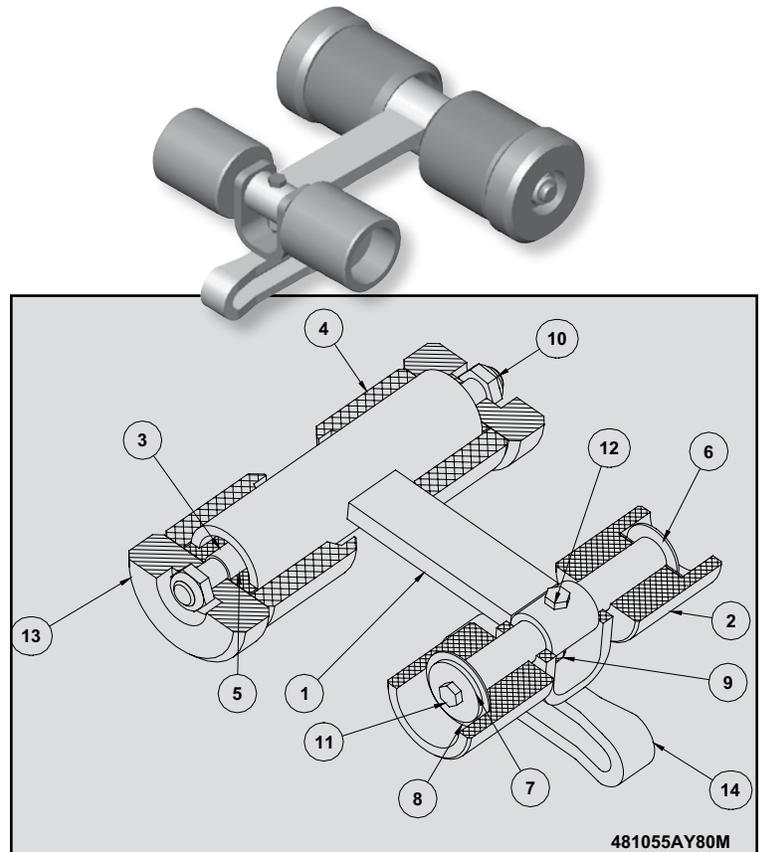
4W-ROLLER D88K/WIDE IDLER 4W88W-481050

| ITEM | NAME | DESCRIPTION | QTY |
|------|--------|---|-----|
| 1 | 520035 | RO-DOG, 4W ROLLER | 1 |
| 2 | 265827 | RO-WHEEL, WIDE IDLER | 2 |
| 3 | 520016 | RO-SHAFT, OUTBOARD | 1 |
| 4 | 520030 | RO-PUSHER-UHMW, 4W ROLLER | 2 |
| 5 | 520032 | RO-BUSH-UHMW, INSERT 4W ROLLER | 2 |
| 6 | 520036 | RO-SHAFT, IDLER | 1 |
| 7 | 015439 | WASHER-FENDER-PLT, 5/16 - 1-1/2 | 1 |
| 8 | 015552 | WASHER-FLAT-PLT, 7/8 SAE | 2 |
| 9 | 016154 | NUT-NYLON INSERT-PLT, 5/16 - 18 | 1 |
| 10 | 016346 | NUT-NYLON INSERT-PLT, 5/8 - 18 JAM (MFG ONLY) | 2 |
| 11 | 017211 | BOLT-HEX-PLT, 5/16-24 x 1/2 GR5 | 1 |
| 12 | 017269 | BOLT-HEX-PLT, 5/16-18 x 1-3/4 GR5 | 1 |
| 13 | 520034 | RO-OUTBOARD, 4W ROLLER | 2 |
| 14 | 244269 | CHAIN-LINK, D88K M-2 | 1 |



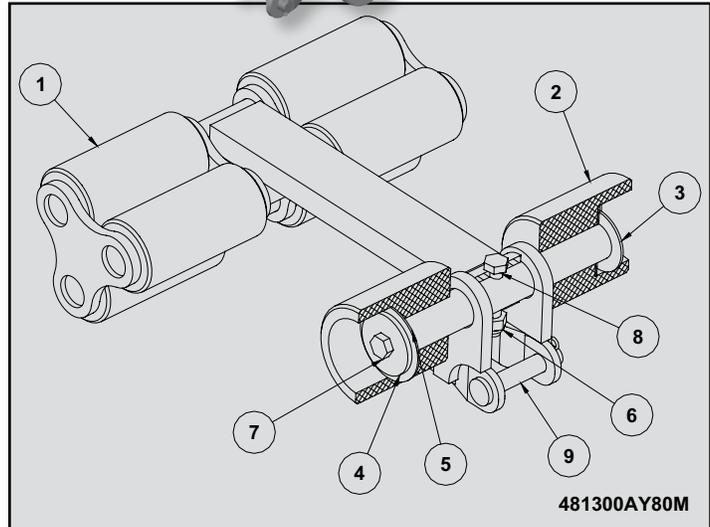
4W-ROLLER X458/WIDE IDLER 4W45W-481055

| ITEM | NAME | DESCRIPTION | QTY |
|------|--------|---|-----|
| 1 | 520035 | RO-DOG, 4W ROLLER | 1 |
| 2 | 265827 | RO-WHEEL, WIDE IDLER | 2 |
| 3 | 520016 | RO-SHAFT, OUTBOARD | 1 |
| 4 | 520030 | RO-PUSHER-UHMW, 4W ROLLER | 2 |
| 5 | 520032 | RO-BUSH-UHMW, INSERT 4W ROLLER | 2 |
| 6 | 520036 | RO-SHAFT, IDLER | 1 |
| 7 | 015439 | WASHER-FENDER-PLT, 5/16 - 1-1/2 | 1 |
| 8 | 015552 | WASHER-FLAT-PLT, 7/8 SAE | 2 |
| 9 | 016154 | NUT-NYLON INSERT-PLT, 5/16 - 18 | 1 |
| 10 | 016346 | NUT-NYLON INSERT-PLT, 5/8 - 18 JAM (MFG ONLY) | 2 |
| 11 | 017211 | BOLT-HEX-PLT, 5/16-24 x 1/2 GR5 | 1 |
| 12 | 017269 | BOLT-HEX-PLT, 5/16-18 x 1-3/4 GR5 | 1 |
| 13 | 520034 | RO-OUTBOARD, 4W ROLLER | 2 |
| 14 | 319039 | CHAIN-LINK, X458 ROLLER | 1 |



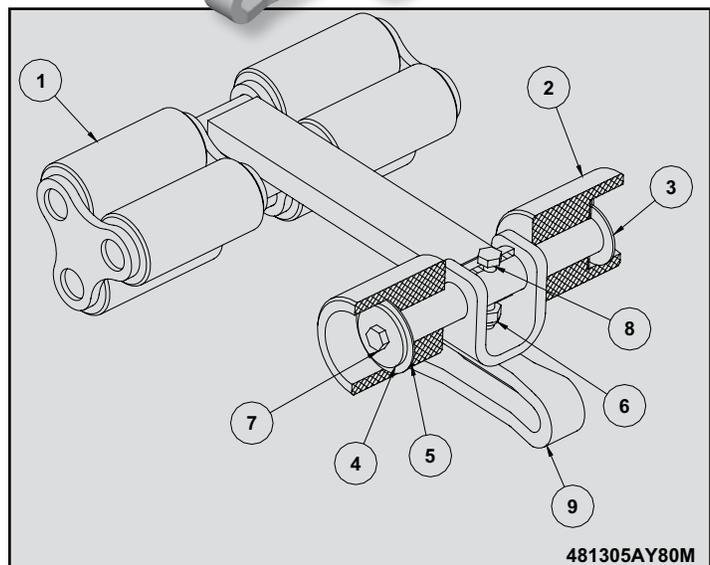
8W-ROLLER D88K/WIDE IDLER 8W88W-481300

| ITEM | NAME | DESCRIPTION | QTY |
|------|--------|-----------------------------------|-----|
| 1 | 481310 | RO-DOG, 8W | 1 |
| 2 | 265827 | RO-WHEEL, WIDE IDLER | 2 |
| 3 | 520036 | RO-SHAFT, IDLER | 1 |
| 4 | 015439 | WASHER-FENDER-PLT, 5/16 - 1-1/2 | 1 |
| 5 | 015552 | WASHER-FLAT-PLT, 7/8 SAE | 2 |
| 6 | 016154 | NUT-NYLON INSERT-PLT, 5/16 - 18 | 1 |
| 7 | 017211 | BOLT-HEX-PLT, 5/16-24 x 1/2 GR5 | 1 |
| 8 | 017269 | BOLT-HEX-PLT, 5/16-18 x 1-3/4 GR5 | 1 |
| 9 | 244269 | CHAIN-LINK, D88K M-2 | 1 |



8W-ROLLER X458/WIDE IDLER 8W45W-481305

| ITEM | NAME | DESCRIPTION | QTY |
|------|--------|-----------------------------------|-----|
| 1 | 481310 | RO-DOG, 8W | 1 |
| 2 | 265827 | RO-WHEEL, WIDE IDLER | 2 |
| 3 | 520036 | RO-SHAFT, IDLER | 1 |
| 4 | 015439 | WASHER-FENDER-PLT, 5/16 - 1-1/2 | 1 |
| 5 | 015552 | WASHER-FLAT-PLT, 7/8 SAE | 2 |
| 6 | 016154 | NUT-NYLON INSERT-PLT, 5/16 - 18 | 1 |
| 7 | 017211 | BOLT-HEX-PLT, 5/16-24 x 1/2 GR5 | 1 |
| 8 | 017269 | BOLT-HEX-PLT, 5/16-18 x 1-3/4 GR5 | 1 |
| 9 | 319039 | CHAIN-LINK, X458 ROLLER | 1 |



Standard Car Wash
PARTS & SUPPLIES

PECO Equipment
REPLACEMENT PARTS

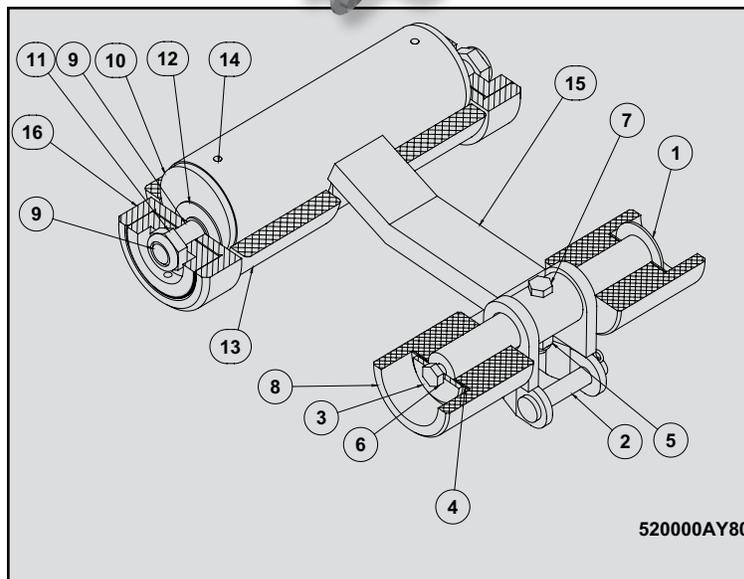
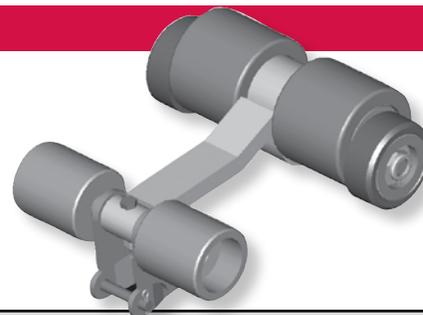
Rollers

Car Wash
SYSTEMS

Car Wash
EQUIPMENT

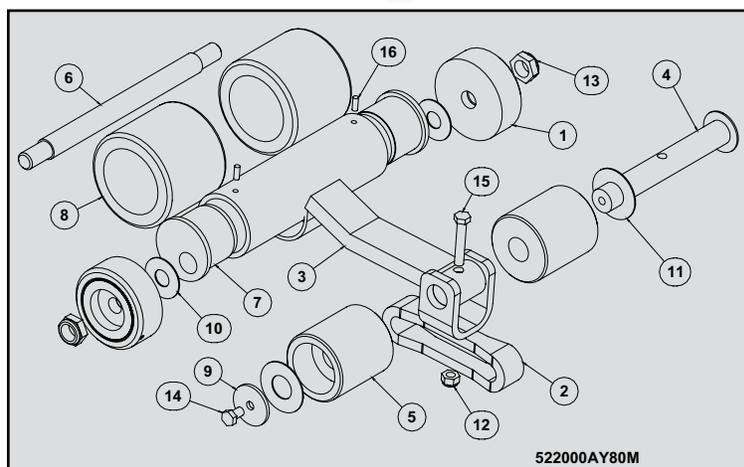
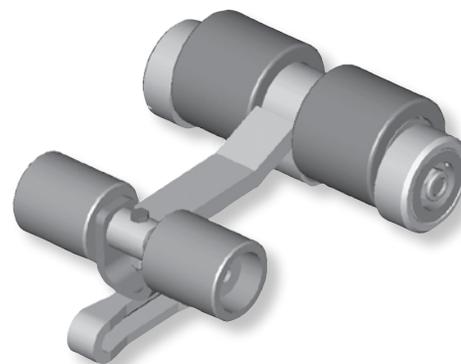
PECO PLASTIC-ROLLER D88K/WIDE IDLER PP88W-520000

| ITEM | NAME | DESCRIPTION | QTY |
|------|--------|---|-----|
| 1 | 520036 | RO-SHAFT, IDLER | 1 |
| 2 | 244269 | CHAIN-LINK, D88K M-2 | 1 |
| 3 | 015439 | WASHER-FENDER-PLT, 5/16 - 1-1/2 | 1 |
| 4 | 015552 | WASHER-FLAT-PLT, 7/8 SAE | 2 |
| 5 | 016154 | NUT-NYLON INSERT-PLT, 5/16 - 18 | 1 |
| 6 | 017211 | BOLT-HEX-PLT, 5/16-24 x 1/2 GR5 | 1 |
| 7 | 017269 | BOLT-HEX-PLT, 5/16-18 x 1-3/4 GR5 | 1 |
| 8 | 265827 | RO-WHEEL, WIDE IDLER | 2 |
| 9 | 520002 | RO-SHAFT, OUTBOARD (HEAT TREATED) | 1 |
| 10 | 520004 | RO-BUSH-UHMW, ECCENTRIC INSERT | 2 |
| 11 | 016346 | NUT-NYLON INSERT-PLT, 5/8 - 18 JAM (MFG ONLY) | 2 |
| 12 | 015460 | WASHER-SS, 5/8 ID x 1-1/2 OD x 3/64 THICK | 2 |
| 13 | 520007 | RO-PUSHER-UHMW, 4W ROLLER | 2 |
| 14 | 020320 | PIN-ROLL, 3/16 x 3/4 | 2 |
| 15 | 520009 | RO-DOG, PECO ROLLER | 1 |
| 16 | 520005 | RO-OUTBOARD-UHMW, PECO ROLLER (PLASTIC) | 2 |



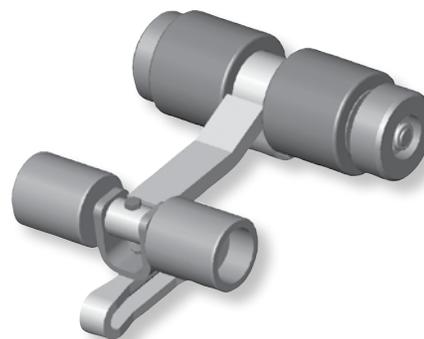
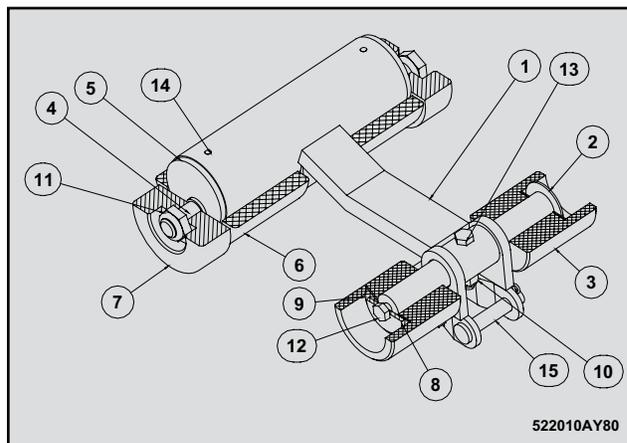
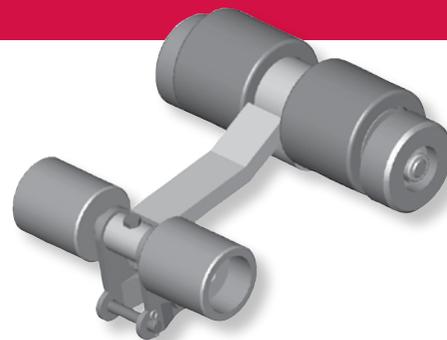
PECO PLASTIC-ROLER X458/WIDE IDLER PP45W-522000

| ITEM | NAME | DESCRIPTION | QTY |
|------|--------|--|-----|
| 1 | 520005 | RO-OUTBOARD-UHMW, PECO ROLLER(PLASTIC) | 2 |
| 2 | 319039 | CHAIN-LINK, X458 ROLLER | 1 |
| 3 | 520009 | RO-DOG, PECO ROLLER | 1 |
| 4 | 520036 | RO-SHAFT, IDLER | 1 |
| 5 | 265827 | RO-WHEEL, WIDE IDLER | 2 |
| 6 | 520002 | RO-SHAFT, OUTBOARD (HEAT TREATED) | 1 |
| 7 | 520004 | RO-BUSH-UHMW, ECCENTRIC INSERT | 2 |
| 8 | 520007 | RO-PUSHER-UHMW, 4W ROLLER | 2 |
| 9 | 015439 | WASHER-FENDER-PLT, 5/16 - 1-1/2 | 1 |
| 10 | 015460 | WASHER-SS, 5/8 ID x 1-1/2 OD x 3/64 THICK | 2 |
| 11 | 015552 | WASHER-FLAT-PLT, 7/8 SAE | 2 |
| 12 | 016154 | NUT-NYLON INSERT-PLT, 5/16 - 18 | 1 |
| 13 | 016346 | NUT-NYLON INSERT-PLT, 5/8 - 18 JAM (MFGONLY) | 2 |
| 14 | 017211 | BOLT-HEX-PLT, 5/16-24 x 1/2 GR5 | 1 |
| 15 | 017269 | BOLT-HEX-PLT, 5/16-18 x 1-3/4 GR5 | 1 |
| 16 | 020320 | PIN-ROLL, 3/16 x 3/4 | 2 |



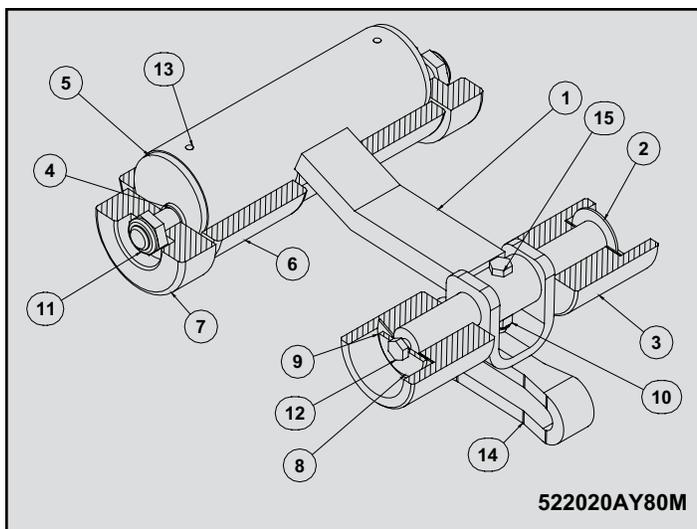
PECO STEEL-ROLLER D88K/WIDE IDLER PS88W-520000

| ITEM | NAME | DESCRIPTION | QTY |
|------|--------|--|-----|
| 1 | 520009 | RO-DOG, PECO ROLLER | 1 |
| 2 | 520036 | RO-SHAFT, IDLER | 1 |
| 3 | 265827 | RO-WHEEL, WIDE IDLER | 2 |
| 4 | 520002 | RO-SHAFT, OUTBOARD (HEAT TREATED) | 1 |
| 5 | 520004 | RO-BUSH-UHMW, ECCENTRIC INSERT | 2 |
| 6 | 520007 | RO-PUSHER-UHMW, 4W ROLLER | 2 |
| 7 | 520011 | RO-OUTBOARD, 4W ROLLER | 2 |
| 8 | 015439 | WASHER-FENDER-PLT, 5/16 - 1-1/2 | 1 |
| 9 | 015552 | WASHER-FLAT-PLT, 7/8 SAE | 2 |
| 10 | 016154 | NUT-NYLON INSERT-PLT, 5/16 - 18 | 1 |
| 11 | 016346 | NUT-NYLON INSERT-PLT, 5/8 - 18 JAM (MFG ONLY) | 2 |
| 12 | 017211 | BOLT-HEX-PLT, 5/16-24 x 1/2 GR5 | 1 |
| 13 | 017269 | BOLT-HEX-PLT, 5/16-18 x 1-3/4 GR5 | 1 |
| 14 | 020320 | PIN-ROLL, 3/16 x 3/4 | 2 |
| 15 | 244269 | CHAIN-LINK, D88K M-2 | 1 |



PECO STEEL-ROLLER X458/WIDE IDLER PS45W-522000

| ITEM | NAME | DESCRIPTION | QTY |
|------|--------|--|-----|
| 1 | 520009 | RO-DOG, PECO ROLLER | 1 |
| 2 | 520036 | RO-SHAFT, IDLER | 1 |
| 3 | 265827 | RO-WHEEL, WIDE IDLER | 2 |
| 4 | 520002 | RO-SHAFT, OUTBOARD (HEAT TREATED) | 1 |
| 5 | 520004 | RO-BUSH-UHMW, ECCENTRIC INSERT | 2 |
| 6 | 520007 | RO-PUSHER-UHMW, 4W ROLLER | 2 |
| 7 | 520011 | RO-OUTBOARD, 4W ROLLER | 2 |
| 8 | 015439 | WASHER-FENDER-PLT, 5/16 - 1-1/2 | 1 |
| 9 | 015552 | WASHER-FLAT-PLT, 7/8 SAE | 2 |
| 10 | 016154 | NUT-NYLON INSERT-PLT, 5/16 - 18 | 1 |
| 11 | 016346 | NUT-NYLON INSERT-PLT, 5/8 - 18 JAM (MFG ONLY) | 2 |
| 12 | 017211 | BOLT-HEX-PLT, 5/16-24 x 1/2 GR5 | 1 |
| 13 | 020320 | PIN-ROLL, 3/16 x 3/4 | 2 |
| 14 | 319039 | CHAIN-LINK, X458 ROLLER | 1 |
| 15 | 017269 | BOLT-HEX-PLT, 5/16-18 x 1-3/4 GR5 | 1 |



Standard Car Wash
PARTS & SUPPLIES

PECO Equipment
REPLACEMENT PARTS

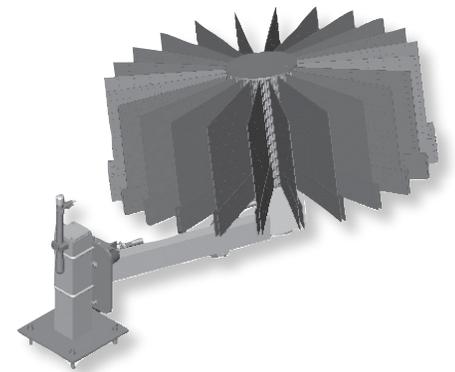
Rollers

Car Wash
SYSTEMS

Car Wash
EQUIPMENT

PECO PE118ss-990230 STAINLESS STEEL HUB CAP ROCKER WASHER

| ITEM | NAME | DESCRIPTION | QTY | ITEM | NAME | DESCRIPTION | QTY |
|------|--------|--|-----|------|--------|---|-----|
| 1 | 500023 | SW-MANIFOLD-PVC, PE118 | 2 | 36 | 600124 | SET SCREW-SS, 3/8 - 16 x 3/4 SQ HD | 4 |
| 2 | 560002 | SW-ARM-SS, D/S PE118 | 1 | 37 | 600129 | BOLT-SOCKET-SS, 3/8 - 16 x 3/4 | 8 |
| 3 | 560003 | SW-ARM-SS, P/S PE118 | 1 | 38 | 600133 | WASHER-FLAT-SS, 3/8 SAE | 20 |
| 4 | 560005 | SW-PLATE-SS, BEARING/POST MOUNTING | 2 | 39 | 600134 | NUT-NYLON INSERT-SS, 1/2 - 13 | 36 |
| 5 | 560030 | SW-STABILIZER SUPPORT-SS, P/S-D/S ARM | 2 | 40 | 600135 | WASHER-FLAT-SS, 1/2 SAE | 76 |
| 6 | 560022 | SW-P/S STABILIZER BKT-SS P/S | 1 | 41 | 600106 | ANCHOR-WEDGE-SS, 5/8 x 3-1/2 | 8 |
| 7 | 560026 | SW-D/S STABILIZER BKT-SS D/S | 1 | 42 | 600140 | BOLT-SOCKET-SS, 1/4 - 20 x 1-3/4 | 4 |
| 8 | 560009 | SW-P/S REST STOP-SS | 1 | 43 | 600147 | WASHER-FLAT-SS, 1/4 SAE | 4 |
| 9 | 560010 | SW-D/S REST STOP-SS | 1 | 44 | 600153 | WASHER-LOCK-SS, 1/2 | 12 |
| 10 | 560012 | SW-SQUEEZE PLATE-SS | 2 | 45 | 600156 | WASHER-LOCK-SS, 5/16 | 6 |
| 11 | 560013 | SW-POST-SS, FLOOR MOUNT 18" | 2 | 46 | 880653 | PLUG-PLASTIC, 4" SQUARE (BLACK) (FITS 11GA OR 1/8") | 2 |
| 12 | 231753 | COUPLING-STL, 1" 2-BOLT SPLIT | 2 | 47 | 600160 | NUT-NYLON INSERT-SS, 3/8 - 16 | 10 |
| 13 | 033050 | SHAFT-STL, 1-1/2 16"L STRESS PROOF (MFG ONLY) | 2 | 48 | 600175 | U-BOLT-SS, 1/2-13 x 4 x 5-1/4 SQ (1-3/4 THREAD) | 4 |
| 14 | 091363 | STOP-RUBBER, 2 DIA x 1-5/8 LONG | 2 | 49 | 600180 | BOLT-HEX-SS, 5/16 - 18 x 1-1/2 | 6 |
| 15 | 118500 | CORE-ALUM, 10" DIA x 18"H (PE118) | 2 | 50 | 600020 | BOLT-HEX-SS, 1/2-13 x 1-1/4 | 2 |
| 16 | 159459 | FLANGE-4-BOLT-PLT, TAPERED | 2 | 51 | 600178 | WASHER-FLAT-SS, 5/16 SAE | 6 |
| 17 | 500019 | SW-TORQUE PLATE-UHMW, S/W MOTOR (BLACK) | 2 | 52 | 010359 | BRG-4B-1 1/2, STD | 4 |
| 18 | 500021 | SW-COVER-PLASTIC, 10" ROUND CORE | 2 | 53 | 010357 | BRG-PB-1 1/2, STD | 4 |
| 19 | 001250 | ELBOW-PLT, 1/2 JIC x 1/2 NPT ML EXTRA LONG | 2 | 54 | 062375 | HOSE-1/2, HYDRAULIC 2000 PSI (AEROQUIP) | 2 |
| 20 | 001260 | ELBOW-PLT, 1/2" JIC X 1/2 NPT ML SHORT | 2 | 55 | 017475 | BOLT-HEX-PLT, 1/2-13 x 2 GR5 | 8 |
| 21 | 001312 | ELBOW-PLT, 1/2 JIC 45 DEGREE BULKHEAD (WITH NUT) | 4 | 56 | 015537 | WASHER-FLAT-PLT, 1/2 USS | 16 |
| 22 | 001414 | SWAGE-PLT, 1/2 JIC FM SWIVEL (AEROQUIP) | 8 | 57 | 016063 | NUT-HEX-PLT, 1/2 - 13 | 8 |
| 23 | 007730 | MOTOR-HYD, 103-1003 (5.9 IN.-3/ REV 4B) | 2 | 58 | 990230 | KEY STOCK-PLN, 1/4 x 1/4 (12" LENGTH) | 2 |
| 24 | 046213 | CLAMP-PLASTIC, 3/4 PIPE (STAUFF GR4) | 2 | 59 | 144280 | SW-SPRING/STABILIZER-ASSEMBLY, COMPLETE | 2 |
| 25 | 062375 | HOSE-1/2, HYDRAULIC 2500 PSI (AEROQUIP) | 2 | 60 | 600026 | BOLT-HEX-SS, 1/2-13 x 3 | 4 |
| 26 | 182196 | TAPERLOCK, 1-1/2 | 2 | | | | |
| 27 | 193698 | HOSE WRAP-1/2, SPIRAL (BLACK) | - | | | | |
| 28 | 600021 | BOLT-HEX-SS, 1/2-13 x 1-1/2 | 8 | | | | |
| 29 | 600001 | BOLT-HEX-SS, 1/4-20 x 3/4 | 4 | | | | |
| 30 | 016104 | NUT-HEX-PLT, 1/2 - 20 JAM | 2 | | | | |
| 31 | 600022 | BOLT-HEX-SS, 1/2-13 x 1-3/4 | 24 | | | | |
| 32 | 017301 | BOLT-HEX-PLT, 3/8-16 x 1-1/2 GR5 (MFG ONLY) | 4 | | | | |
| 33 | 016261 | NUT-NYLON INSERT-PLT, 3/8 - 16 (MFG ONLY) | 4 | | | | |
| 34 | 600034 | BOLT-HEX-SS, 3/8-16 x 1-1/4 | 6 | | | | |
| 35 | 600038 | BOLT-HEX-SS, 3/8-16 x 3-1/4 | 4 | | | | |

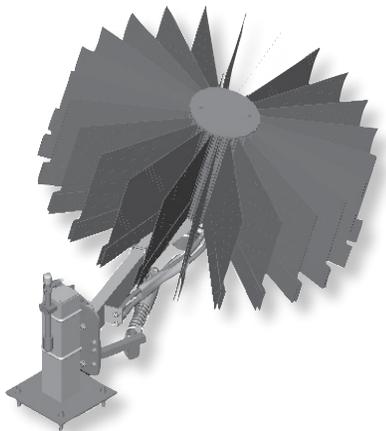
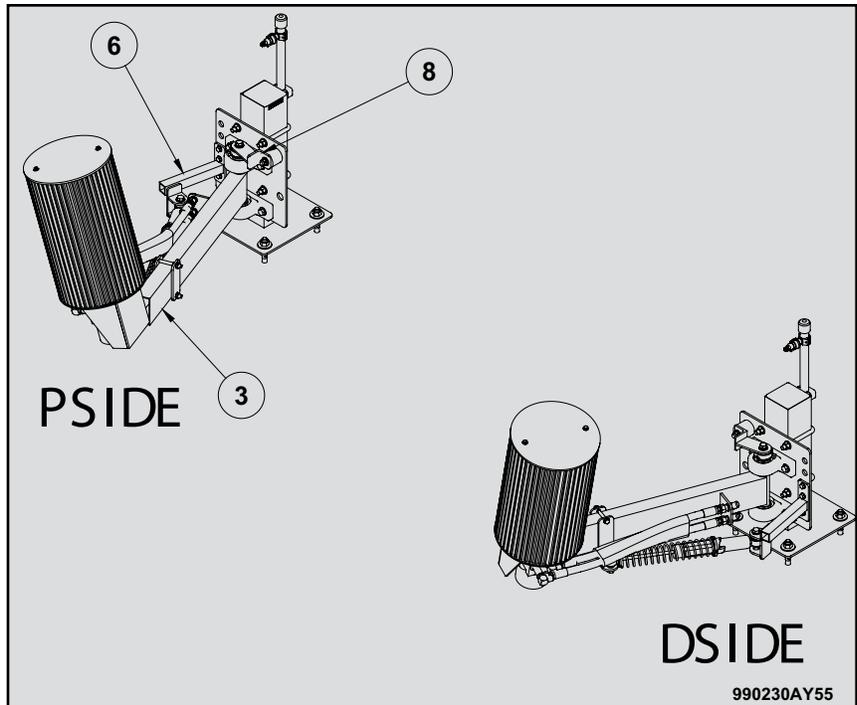
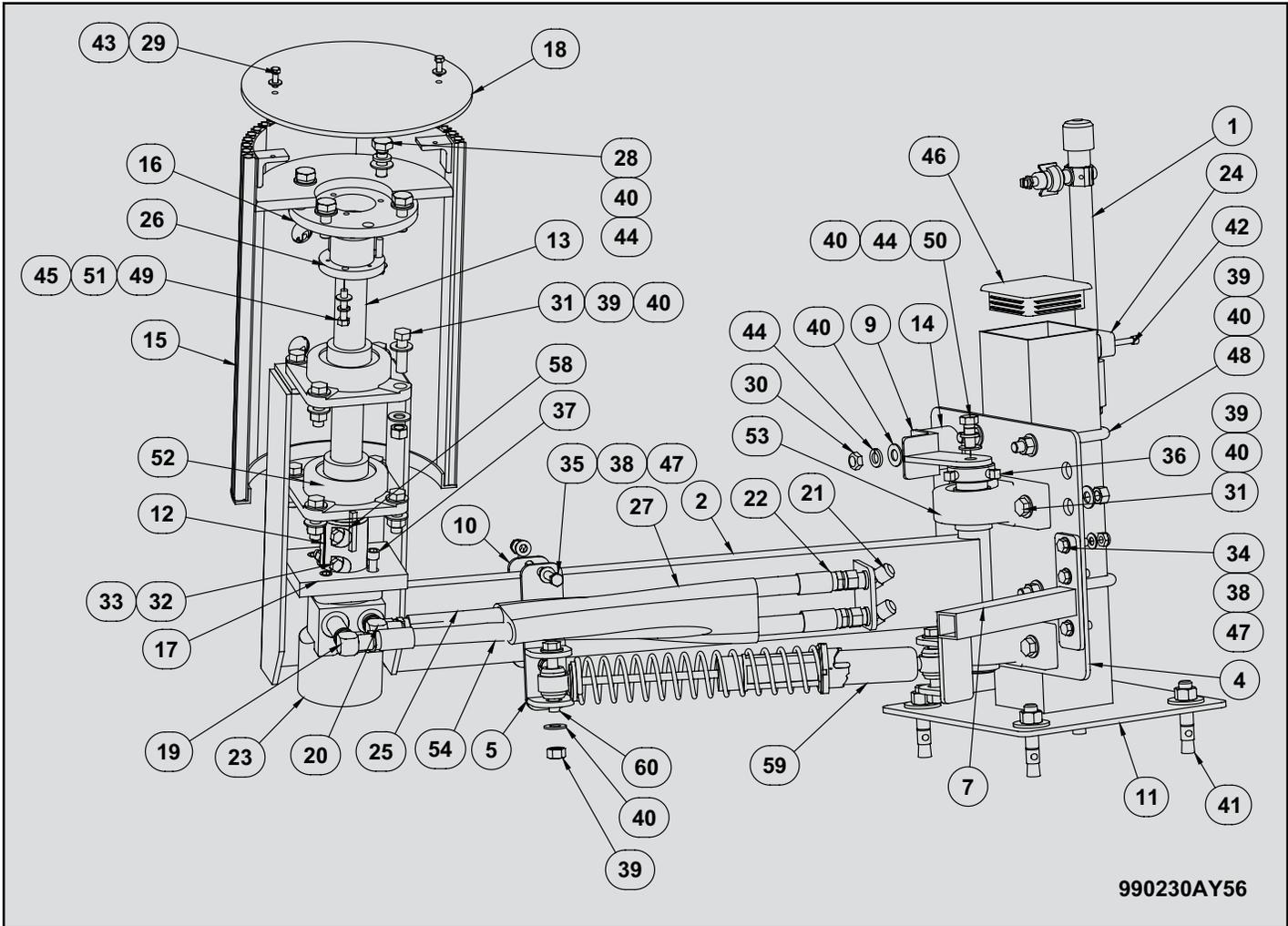


CALL PECO!!!!

FOR YOUR NEXT REPLACEMENT **FOAM** ORDER

800.448.3946

US ONLY



Standard Car Wash
PARTS & SUPPLIES

PECO Equipment
REPLACEMENT PARTS

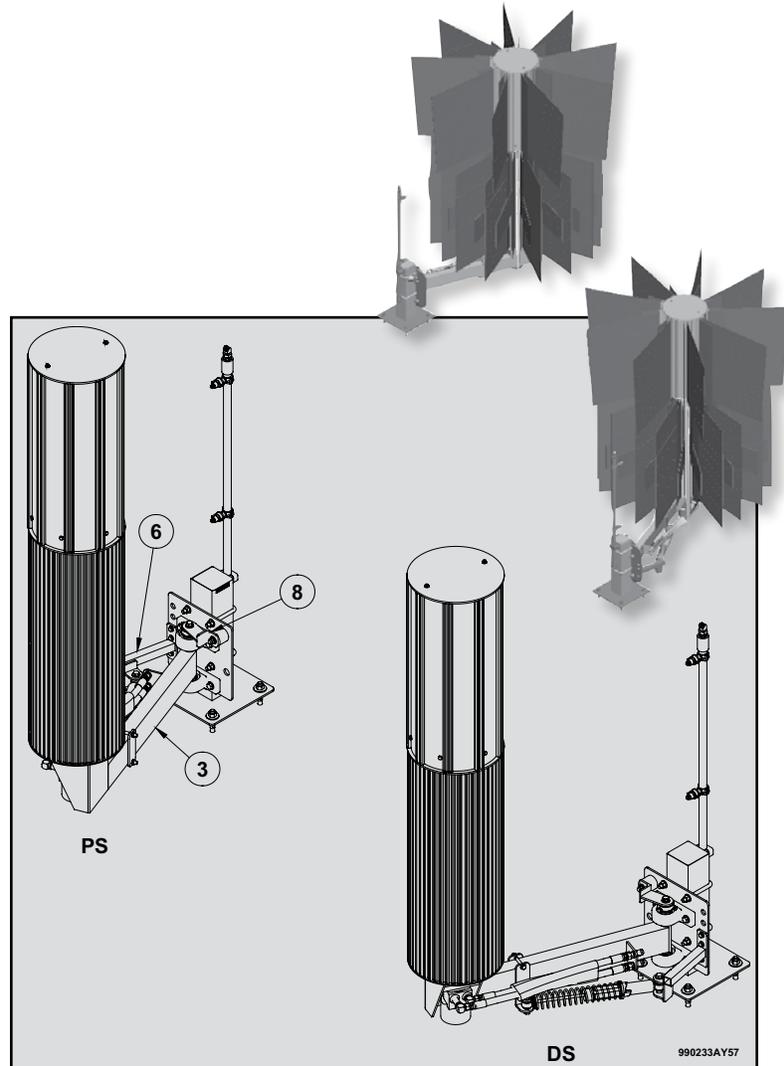
Side Washers
SYSTEMS

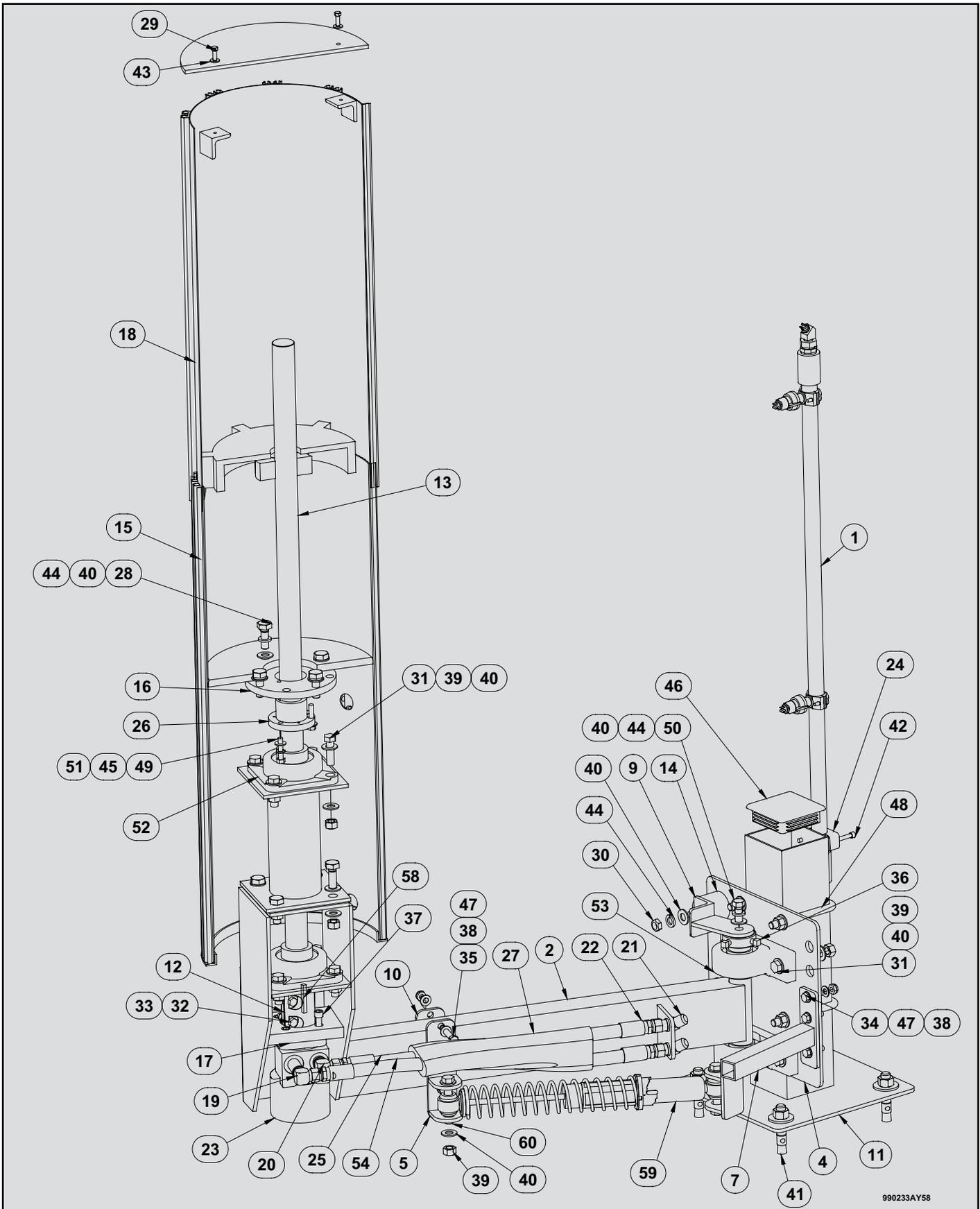
Car Wash
EQUIPMENT

PE163ss-990233 STAINLESS STEEL VAN SIDE WASHER

| ITEM | NAME | DESCRIPTION | QTY |
|------|--------|---|-----|
| 1 | 500025 | SW-MANIFOLD-PVC, PE163 | 2 |
| 2 | 560000 | SW-ARM-SS, D/S STRAIGHT ARM | 1 |
| 3 | 560001 | SW-ARM-SS, P/S STRAIGHT ARM | 1 |
| 4 | 560005 | SW-PLATE-SS, BEARING/POST MOUNTING | 2 |
| 5 | 560006 | SW-STABILIZER SUPPORT-SS, ARM | 2 |
| 6 | 560007 | SW-P/S STABILIZER BKT-SS | 1 |
| 7 | 560008 | SW-D/S STABILIZER BKT-SS | 1 |
| 8 | 560009 | SW-P/S REST STOP-SS | 1 |
| 9 | 560010 | SW-D/S REST STOP-SS | 1 |
| 10 | 560012 | SW-SQUEEZE PLATE-SS | 2 |
| 11 | 560013 | SW-POST-SS, FLOOR MOUNT 18" | 2 |
| 12 | 231753 | COUPLING-STL, 1" 2-BOLT SPLIT | 2 |
| 13 | 097138 | SHAFT-STL, 1-1/2 48"L STRESS PROOF | 2 |
| 14 | 091363 | STOP-RUBBER, 2 DIA x 1-5/8 LONG | 2 |
| 15 | 135500 | CORE-ALUM, 12" DIA x 35"H (PE135/163) | 2 |
| 16 | 159459 | FLANGE-4-BOLT-PLT, TAPERED | 2 |
| 17 | 500019 | SW-TORQUE PLATE-UHMW, S/W MOTOR (BLACK) | 2 |
| 18 | 163500 | CORE-ALUM, 12" DIA x 28"H W/COLLAR (PE163) | 2 |
| 19 | 001250 | ELBOW-PLT, 1/2 JIC x 1/2 NPT ML EXTRA LONG | 2 |
| 20 | 001260 | ELBOW-PLT, 1/2" JIC X 1/2 NPT ML SHORT | 2 |
| 21 | 001312 | ELBOW-PLT, 1/2 JIC 45 DEGREE BULKHEAD (WITH NUT) | 4 |
| 22 | 001414 | SWAGE-PLT, 1/2 JIC FM SWIVEL (AEROQUIP) | 8 |
| 23 | 007730 | MOTOR-HYD, 103-1003 CHAR-LYNN (5.9 IN.-3/ REV 4B) | 2 |
| 24 | 046213 | CLAMP-PLASTIC, 3/4 PIPE (STAUFF GR4) | 2 |
| 25 | 062375 | HOSE-1/2, HYDRAULIC 2500 PSI (AEROQUIP) | 2 |
| 26 | 182196 | TAPERLOCK, 1-1/2 | 2 |
| 27 | 193698 | HOSE WRAP-1/2, SPIRAL (BLACK) | 1 |
| 28 | 600021 | BOLT-HEX-SS, 1/2-13 x 1-1/2 | 16 |
| 29 | 600001 | BOLT-HEX-SS, 1/4-20 x 3/4 | 4 |
| 30 | 016104 | NUT-HEX-PLT, 1/2 - 20 JAM | 2 |
| 31 | 600022 | BOLT-HEX-SS, 1/2-13 x 1-3/4 | 24 |
| 32 | 017301 | BOLT-HEX-PLT, 3/8-16 x 1-1/2 GR5 (MFG ONLY) | 4 |
| 33 | 016261 | NUT-NYLON INSERT-PLT, 3/8 - 16 (MFG ONLY) | 4 |
| 34 | 600034 | BOLT-HEX-SS, 3/8-16 x 1-1/4 | 6 |
| 35 | 600038 | BOLT-HEX-SS, 3/8-16 x 3-1/4 | 4 |
| 36 | 600124 | SET SCREW-SS, 3/8 - 16 x 3/4 SQ HD | 4 |
| 37 | 600129 | BOLT-SOCKET-SS, 3/8 - 16 x 3/4 | 8 |
| 38 | 600133 | WASHER-FLAT-SS, 3/8 SAE | 20 |
| 39 | 600134 | NUT-NYLON INSERT-SS, 1/2 - 13 | 44 |
| 40 | 600135 | WASHER-FLAT-SS, 1/2 SAE | 92 |
| 41 | 600106 | ANCHOR-WEDGE-SS, 5/8 x 3-1/2 | 8 |
| 42 | 600140 | BOLT-SOCKET-SS, 1/4 - 20 x 1-3/4 | 4 |
| 43 | 600147 | WASHER-FLAT-SS, 1/4 SAE | 4 |
| 44 | 600153 | WASHER-LOCK-SS, 1/2 | 12 |

| ITEM | NAME | DESCRIPTION | QTY |
|------|--------|---|-----|
| 45 | 600156 | WASHER-LOCK-SS, 5/16 | 6 |
| 46 | 880653 | PLUG-PLASTIC, 4" SQUARE (BLACK) (FITS 11GA OR 1/8") | 2 |
| 47 | 600160 | NUT-NYLON INSERT-SS, 3/8 - 16 | 10 |
| 48 | 600175 | U-BOLT-SS, 1/2-13 x 4 x 5-1/4 SQ (1-3/4 THREAD) | 4 |
| 49 | 600180 | BOLT-HEX-SS, 5/16 - 18 x 1-1/2 | 6 |
| 50 | 600020 | BOLT-HEX-SS, 1/2-13 x 1-1/4 | 2 |
| 51 | 600178 | WASHER-FLAT-SS, 5/16 SAE | 6 |
| 52 | 010359 | BRG-4B-1 1/2, STD | 4 |
| 53 | 010357 | BRG-PB-1 1/2, STD | 4 |
| 54 | 062375 | HOSE-1/2, HYDRAULIC 2000 PSI (AEROQUIP) | 2 |
| 55 | 017475 | BOLT-HEX-PLT, 1/2-13 x 2 GR5 | 8 |
| 56 | 015537 | WASHER-FLAT-PLT, 1/2 USS | 16 |
| 57 | 016063 | NUT-HEX-PLT, 1/2 - 13 | 8 |
| 58 | 990230 | KEY STOCK-PLN, 1/4 x 1/4 (12" LENGTH) | 2 |
| 59 | 144280 | SW-SPRING/STABILIZER-ASSEMBLY, COMPLETE | 2 |
| 60 | 600026 | BOLT-HEX-SS, 1/2-13 x 3 | 4 |





Standard Car Wash
PARTS & SUPPLIES

PECO Equipment
REPLACEMENT PARTS

Car Wash
SYSTEMS

Car Wash
EQUIPMENT

Side Washers

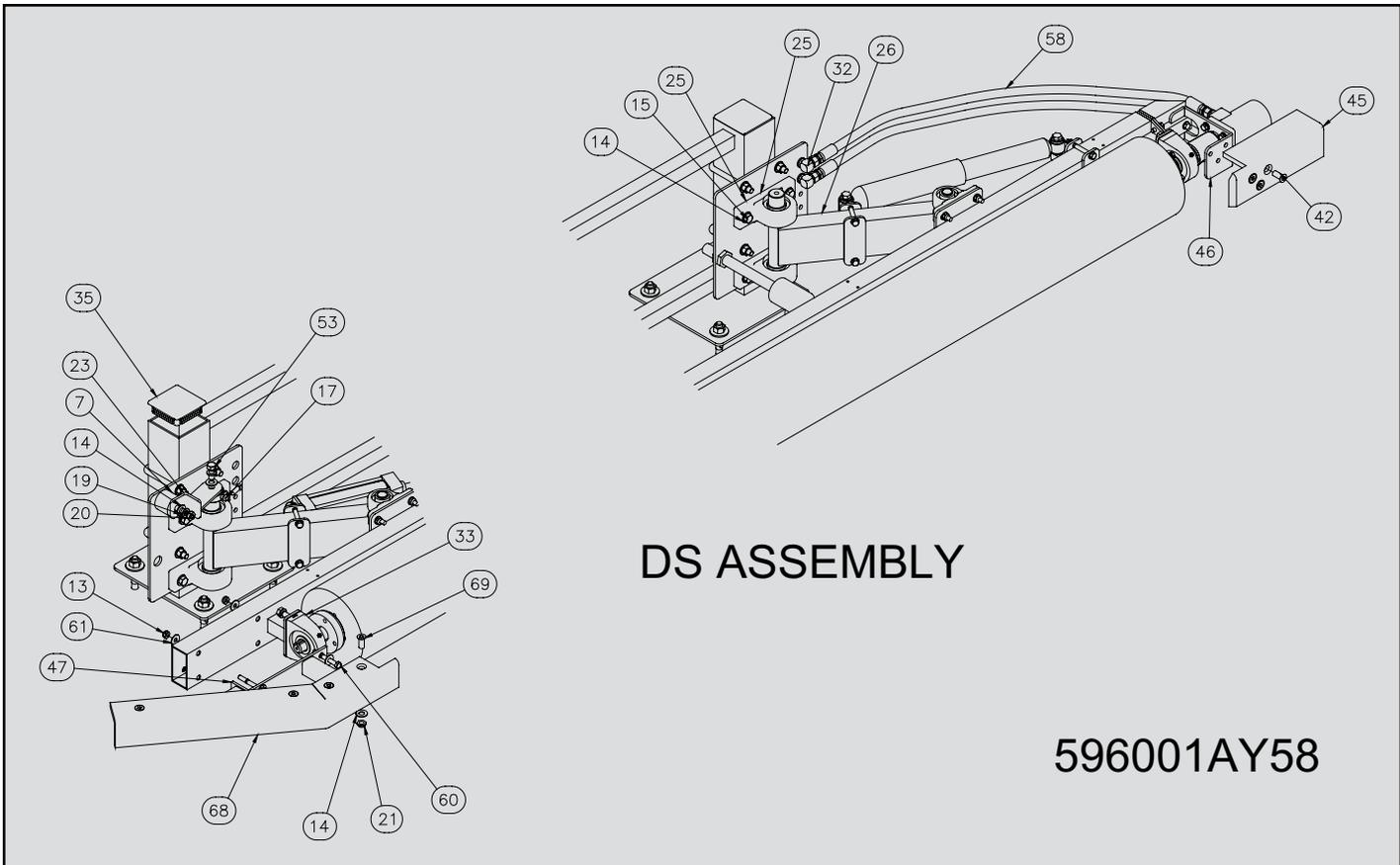
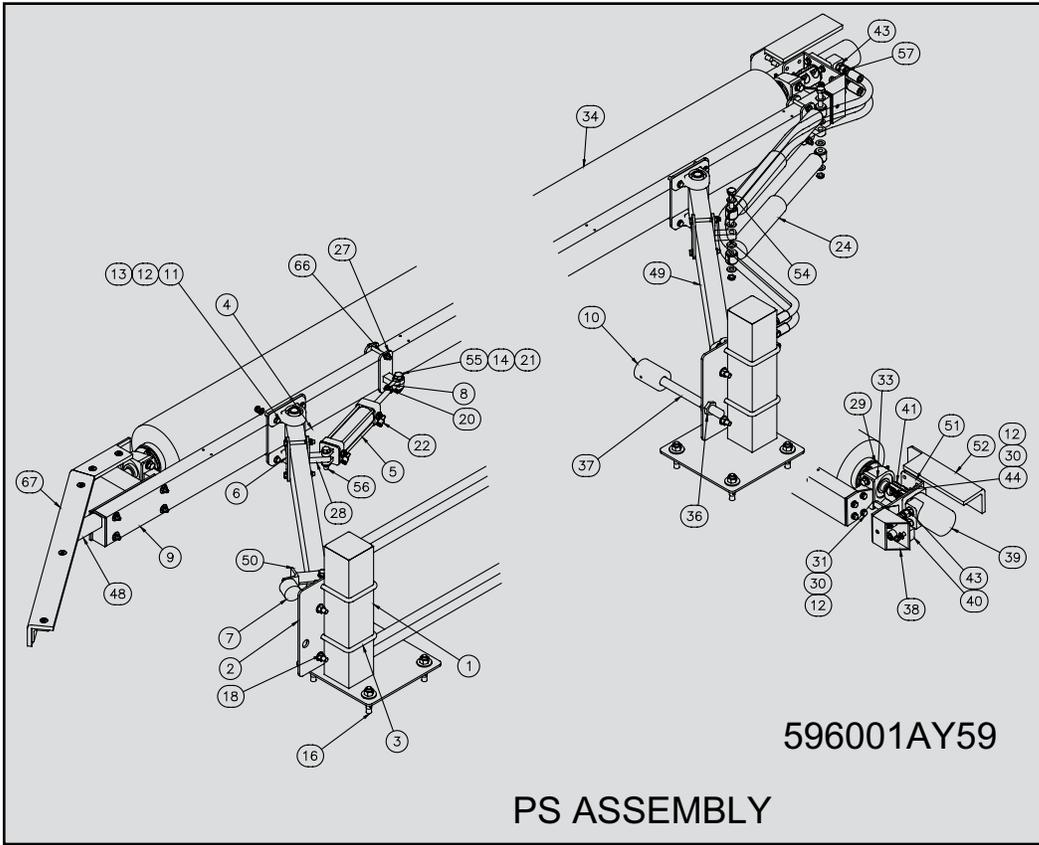
990233AY58

TW960s-596001 STAINLESS STEEL TIRE SCRUBBER

| ITEM | NAME | DESCRIPTION | QTY |
|------|--------|--|-----|
| 1 | 960135 | TW-FLOOR MOUNT-SS, 960 SERIES | 2 |
| 2 | 560005 | SW-PLATE-SS, BEARING/POST MOUNTING | 4 |
| 3 | 600175 | U-BOLT-SS, 1/2-13 X 4 X 5-1/4 SQ (1-3/4 THREAD) | 8 |
| 4 | 010405 | BRG-PB-1, STD | 8 |
| 5 | 027811 | CYLINDER-ARO, 2 BORE X 6 STROKE (W/SS SHAFT) | 2 |
| 6 | 560012 | SW-SQUEEZE PLATE-SS | 8 |
| 7 | 091363 | STOP-RUBBER, 2 DIA X 1-5/8 LONG | 2 |
| 8 | 010538 | BRG-ROD END - 1/2, STD FM | 2 |
| 9 | 960140 | TW-BRUSH BAR-SS, TBA/WW/TW960 | 2 |
| 10 | 372011 | WA-STOP-URETHANE, BUMPER, BLACK (PE372/720/960/196) | 2 |
| 11 | 600035 | BOLT-HEX-SS, 3/8-16 X 1-3/4 | 16 |
| 12 | 600133 | WASHER-FLAT-SS, 3/8 SAE | 104 |
| 13 | 600160 | NUT-NYLON INSERT-SS, 3/8 -16 | 44 |
| 14 | 600135 | WASHER-FLAT-SS, 1/2 SAE | 92 |
| 15 | 600024 | BOLT-HEX-SS, 1/2 - 13 X 2 - 1/4 | 19 |
| 16 | 600106 | ANCHOR-WEDGE-SS, 5/8 X 3 - 1/2 | 16 |
| 17 | 600124 | SET SCREW-SS, 3/8 - 16 X 3/4 SQ HD | 4 |
| 18 | 600134 | NUT-NYLON INSERT-SS, 1/2 - 13 | 33 |
| 19 | 600153 | WASHER-LOCK-SS, 1/2 | 12 |
| 20 | 600159 | NUT-HEX-SS, 1/2 - 20 JAM | 4 |
| 21 | 600182 | NUT-NYLON INSERT-SS, 1/2 - 13 JAM | 17 |
| 22 | 001304 | ELBOW-PLASTIC, 3/8 TUBE X 3/8 NPT (90 DEGREE) PUSHLOCK | 4 |
| 23 | 560010 | SW-D/S REST STOP-SS | 1 |
| 24 | 144277 | WA-SHOCK, ARM STABILIZER (GAS BAG) | 3 |
| 25 | 010357 | BRG-PB- 1 - 1/2 , STD | 8 |
| 26 | 587031 | TW-ARM-SS, D/S PE196/187 | 2 |
| 27 | 596006 | TW-BKT-SS, ROD END SWIVEL | 2 |
| 28 | 596005 | TW-BKT-SS, CYLINDER SWIVEL | 6 |
| 29 | 247270 | TW-SPINDLE, TIRE WASHER DRIVE | 4 |
| 30 | 600154 | WASHER-LOCK-SS, 3/8 SAE | 32 |
| 31 | 600030 | BOLT-HEX-SS, 3/8-16 X 1 | 24 |
| 32 | 001252 | ELBOW-PLT, 1/2 JIC 90 DEGREE BULKHEAD | 4 |
| 33 | 010600 | BRG-TAPPED BASE - 1-1/4, STD | 4 |
| 34 | 896000 | TIRE BRUSH, 8 X 96 100% POLY W/4B FLG | 2 |
| 35 | 880653 | PLUG-PLASTIC, 4" SQUARE (BLACK) FITS 11 GA OR 1/8") | 4 |
| 36 | 600145 | NUT-HEX-SS, 1 - 8 JAM | 4 |
| 37 | 372010 | WA-ROD-SS, (12") OVER TRAVEL STOP PE372 | 2 |
| 38 | 960141 | TW-TORQUE BLOCK MOUNT-SS | 2 |
| 39 | 182444 | MOTOR-HYD, 101-1003 CHAR-LYNN (5.9 IN.-3REV 48) | 2 |
| 40 | 587008 | TW-TORQUE BLOCK-UHMW, PE196/187 MOTOR | 2 |
| 41 | 231753 | MACH-STL, COUPLING, 1" 2 BOLT SPLIT | 2 |
| 42 | 017856 | BOLT-SOCKET, 1/2 - 13 X 1 FLAT SCREW | 6 |
| 43 | 001285 | CONNECTOR-PLT, 1/2 JIC X 1/2 NPT ML | 4 |
| 44 | 600032 | BOLT-HEX-SS, 3/8 - 16 X 3/4 | 8 |
| 45 | 596016 | TW-MOTOR GUARD-UHMW, D/S 960/196/187 SERIES GALV/SS | 1 |
| 46 | 596021 | TW-TORQUE PLATE-SS, D/S MOTOR 960/196/187 SERIES | 1 |

| ITEM | NAME | DESCRIPTION | QTY |
|------|---------|---|-----|
| 47 | 960142 | TW-LEAD IN-SS, D/S BKT 960 SERIES | 1 |
| 48 | 960143 | TW-LEAD IN-SS, P/S BKT 960 SERIES | 1 |
| 49 | 587032 | TW-ARM-SS, P/S PE196/187 | 2 |
| 50 | 560009 | SW-P/S REST STOP-SS | 1 |
| 51 | 596022 | TW-TORQUE PLATE-SS, P/S MOTOR 960/196/187 SERIES | 1 |
| 52 | 596017 | TW-MOTOR GUARD-UHMW, P/S PE196 GALV/SS | 1 |
| 53 | 600020 | BOLT-HEX-SS, 1/2 - 13 X 1 - 1/4 | 10 |
| 54 | 600113 | BOLT-HEX-SS, 1/2 - 13 X 4 - 1/2 | 2 |
| 55 | 600023 | BOLT-HEX-SS, 1/2 - 13 X 2 | 1 |
| 56 | 600025 | BOLT-HEX-SS, 1/2 - 13 X 2 - 1/2 | 1 |
| 57 | 001414 | SWAGE-PLT, 1/2 JIC FM SWIVEL (AEROQUIP) | 8 |
| 58 | 062375 | HOSE- 1/2, HYDRAULIC 2000 PSI (AERQUIP) | 2 |
| 59 | 600026 | BOLT-HEX-SS, 1/2 - 13 X 3 | 2 |
| 60 | 600037 | HEX BOLT - UNC (REGULAR THREAD - INCH) | 8 |
| 61 | 600151 | WASHER-FLAT-SS, 3/8 USS | 16 |
| 62 | --- | ---- | --- |
| 63 | --- | ---- | --- |
| 64 | --- | ---- | --- |
| 65 | 600031 | BOLT-HEX-SS, 3/8 - 16 X 1 - 1/2 | 4 |
| 66 | 600038 | BOLT-HEX-SS, 3/8 - 16 X 3 - 1/4 | 16 |
| 67 | 500306G | ANGLE-UHMW YELLOW, 3 X 3 X 1/2 (MFG ONLY) | 1 |
| 68 | 500305G | ANGLE-UHMW YELLOW, 3 X 3 X 1/2 (MFG ONLY) | 1 |
| 69 | 600015 | BOLT-FLAT HD - SS, 1/2 - 13 X 1 SOCKET (MFG ONLY) | 9 |





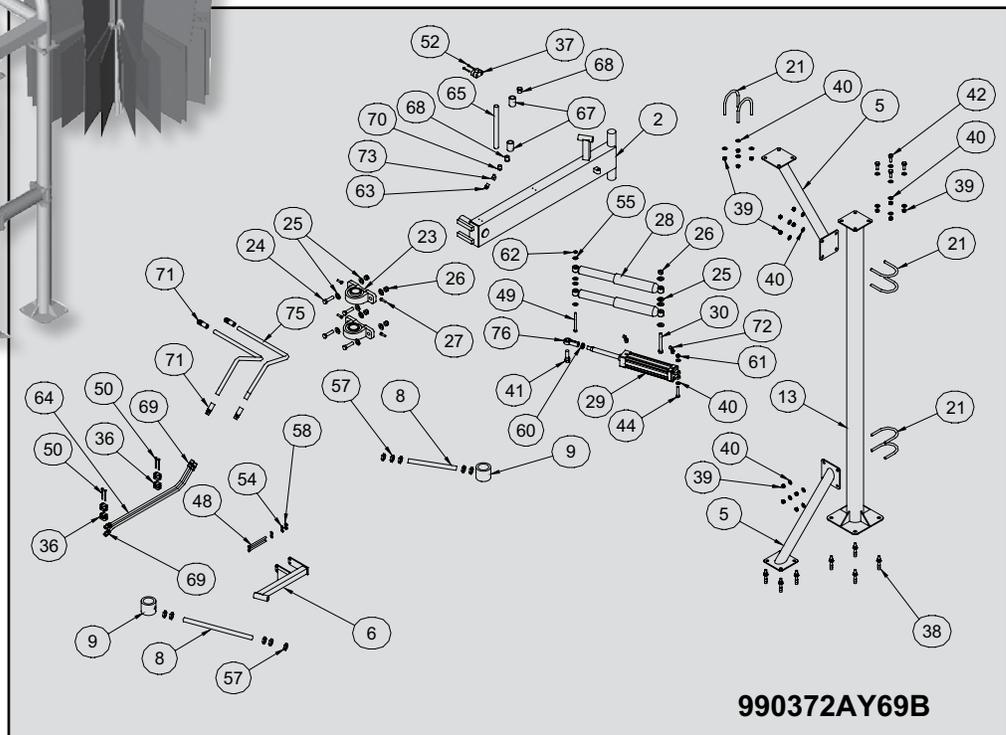
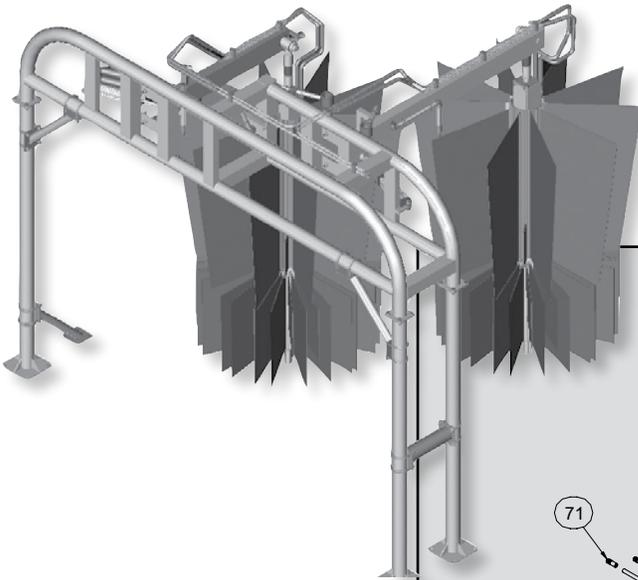
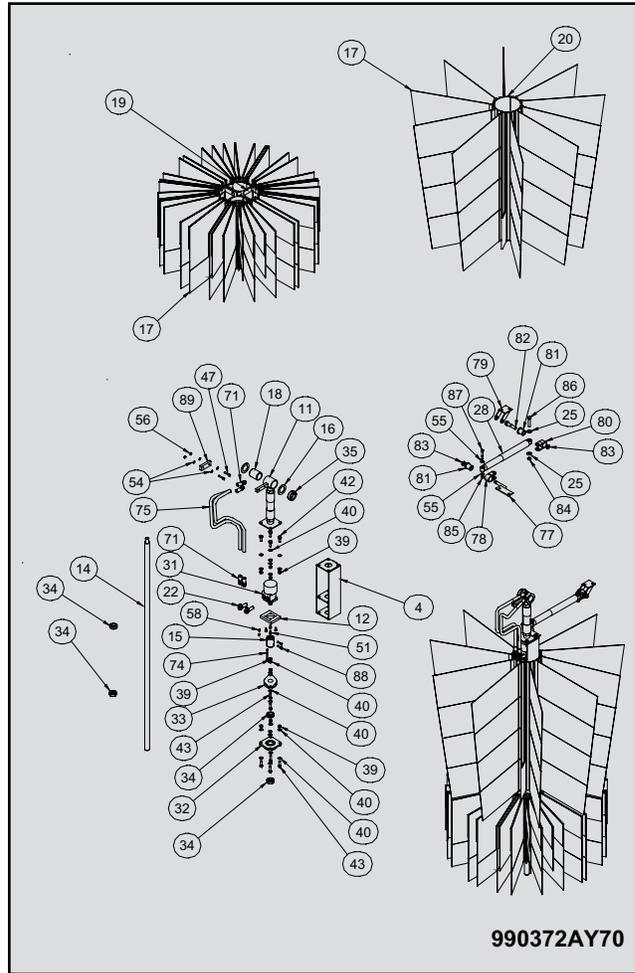
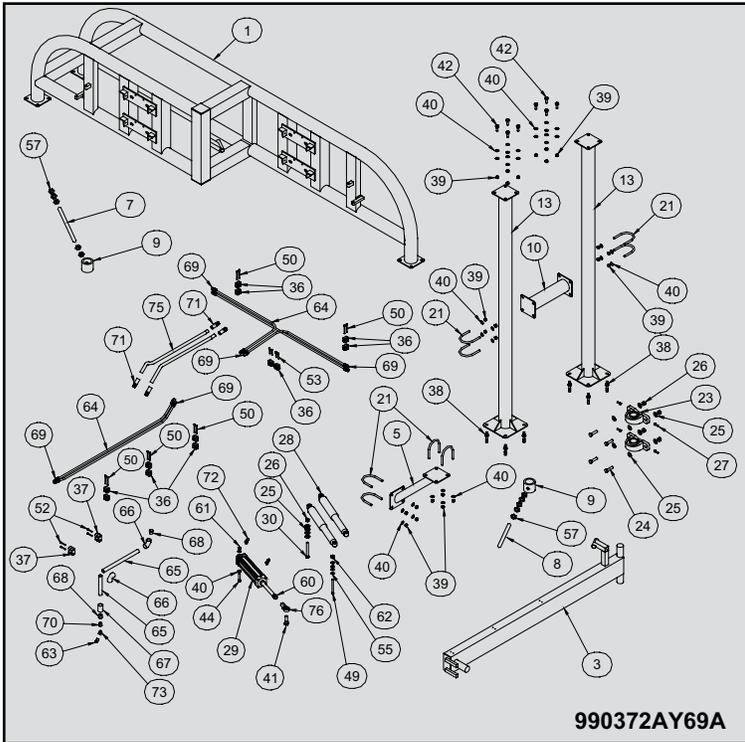
Standard Car Wash
PARTS & SUPPLIES

PECO Equipment
REPLACEMENT PARTS

Tire Washer

Car Wash
SYSTEMS

Car Wash
EQUIPMENT



Standard Car Wash
PARTS & SUPPLIES

PECO Equipment
REPLACEMENT PARTS

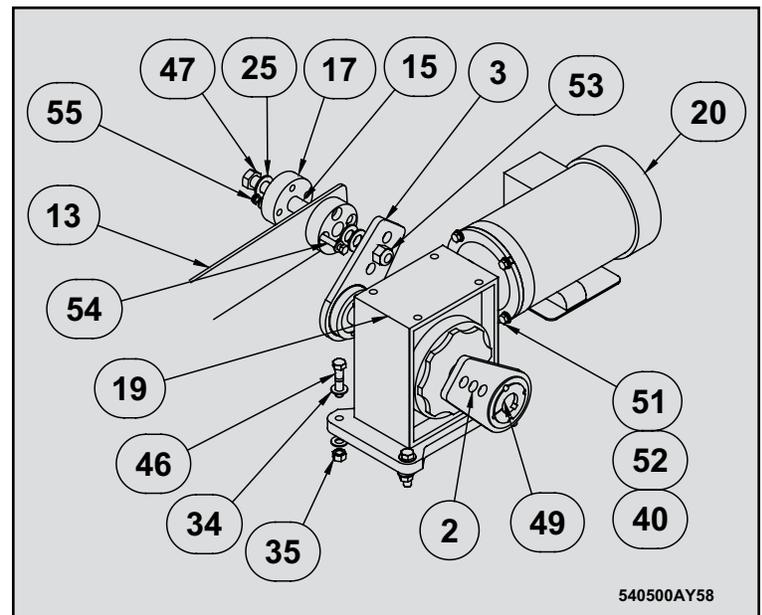
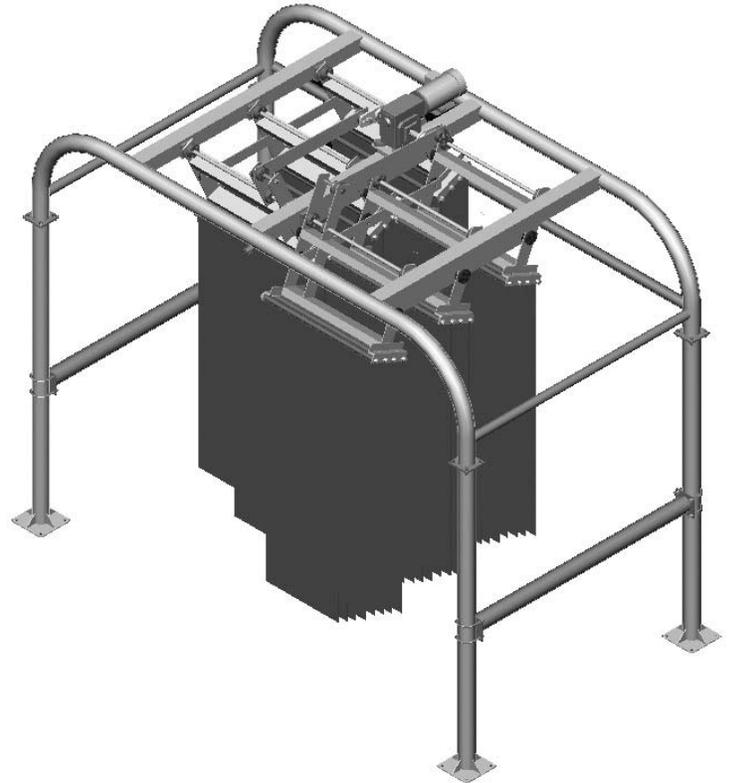
Wraparound

Car Wash
SYSTEMS

Car Wash
EQUIPMENT

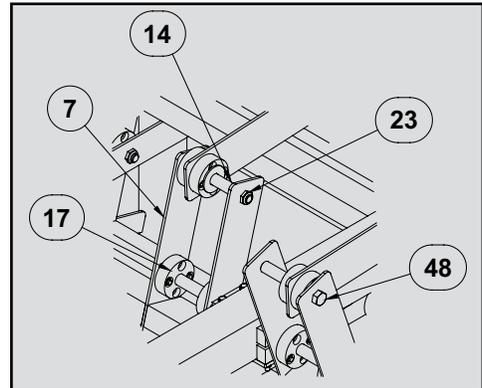
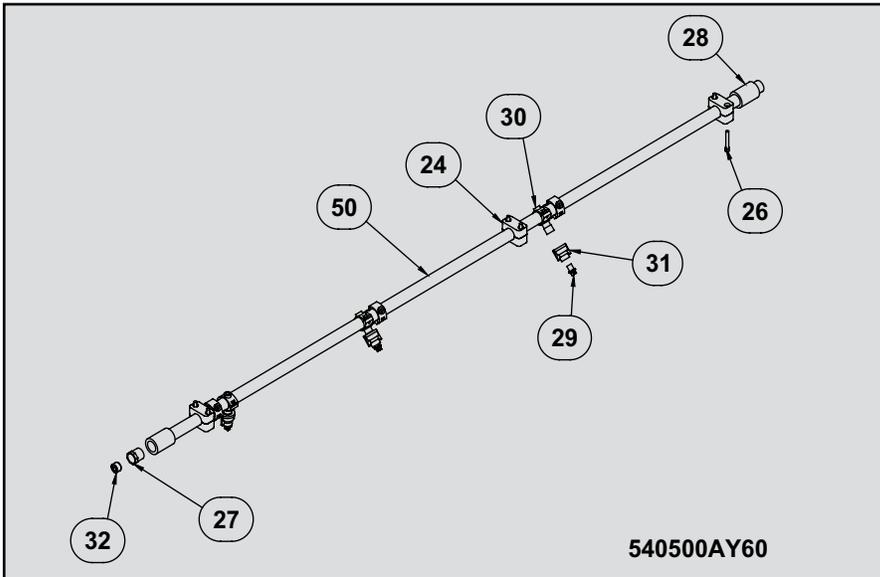
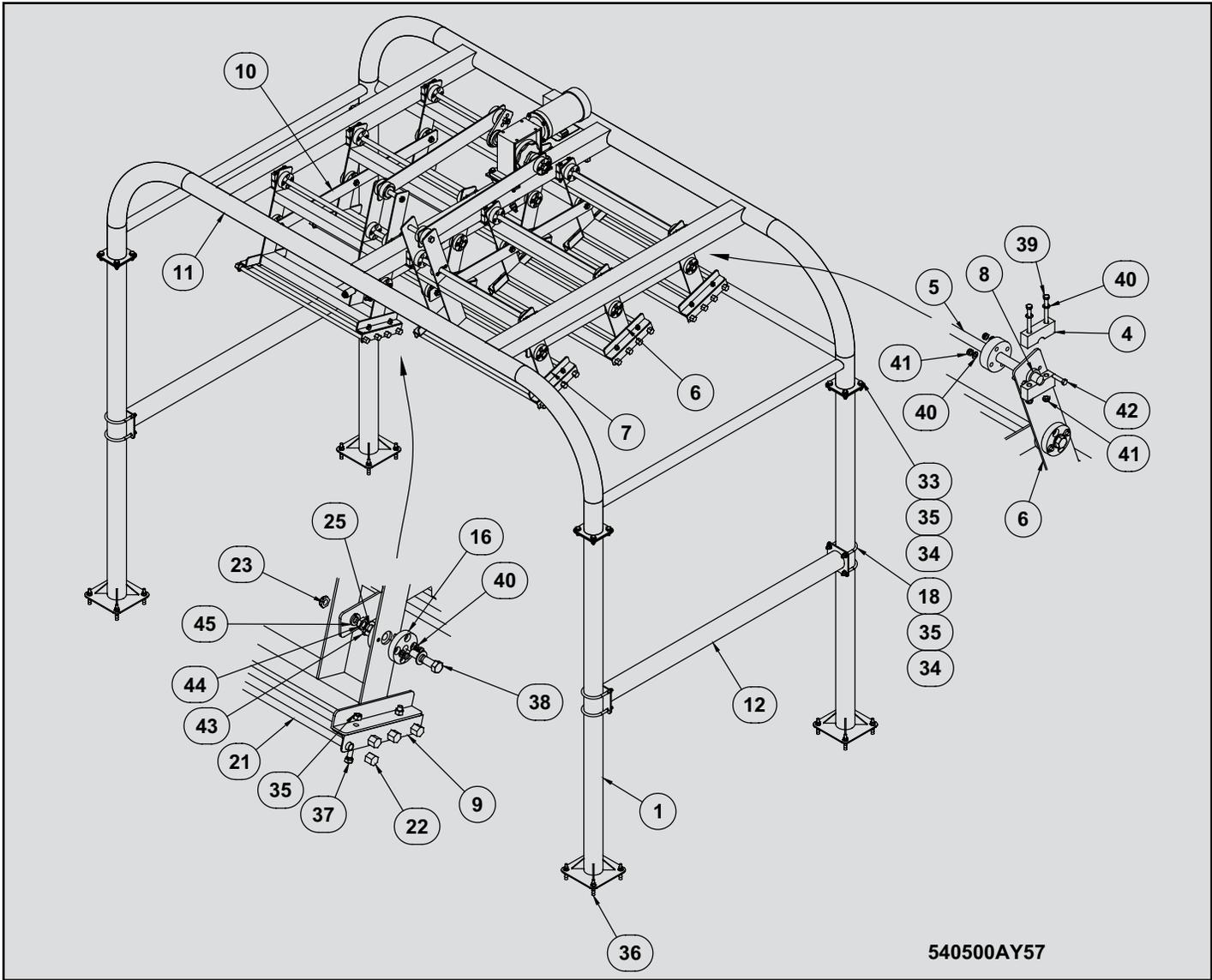
| ITEM | NAME | DESCRIPTION | QTY |
|------|---------|--|-----|
| 1 | 540504 | MC-LEG-SS, MITTER/WRAP SUPPORT | 4 |
| 2 | 159692 | MC-ARM-PLT, RIGHT MITTER CRANK | 1 |
| 3 | 159693 | MC-ARM-PLT, LEFT MITTER CRANK | 1 |
| 4 | 530013 | MC-CLAMP-ALUM, HINGE | 24 |
| 5 | 540200 | MC-ROD-SS, BASKET PIVOT (MC06/04) | 6 |
| 6 | 540005 | MC-BASKET-ALUM, IDLER (MC06/04) | 4 |
| 7 | 540006 | MC-BASKET-ALUM, DRIVE (MC06/04) | 2 |
| 8 | 530015 | MC-SPACER-UHMW, BASKET SHIM | 12 |
| 9 | 530007 | MC-RACK-SS, CLOTH SUPPORT ANGLE | 12 |
| 10 | 540004 | MC-ARM-ALUM, MC06 BASKET CONNECTOR | 4 |
| 11 | 540008 | MC-FRAME-SS, MC06 | 1 |
| 12 | 540505 | MC-BRACE-SS, MC06/35 LEG | 2 |
| 13 | 530034 | MC-PLATE-ALUM, MITTER DRIVE ARM | 1 |
| 14 | 530030 | MC-BUSH-SS, BASKET DRIVE | 2 |
| 15 | 530032 | MC-BUSH-SS, MITTER ARM DRIVE | 2 |
| 16 | 530002 | BRG-BUSH-3/4, UHMW (RED) | 24 |
| 17 | 530001 | BRG-BUSH-1, UHMW (RED) | 22 |
| 18 | 600190 | U-BOLT-SS, 1/2-13 x 4 x 5-1/2 RD (1-1/2 THREAD) (MFG ONLY) | 8 |
| 19 | 530100 | GEAR BOX, C-FACE MOUNT (W/DOUBLE SEALS) | 1 |
| 20 | 530105 | MOTOR-ELEC, 1-1/2 HP 1800 RPM 145TC TEFC (230/460) | 1 |
| 21 | 999038 | NIPPLE-GALV, 1/2 NPT x 37 SCH40 (MFG ONLY) | 24 |
| 22 | 999033 | CAP-PLT, 1/2 NPT HEX (ZINC) (MFG ONLY) | 48 |
| 23 | 600165 | NUT-NYLON INSERT-SS, 3/4 - 10 JAM | 14 |
| 24 | 046213 | CLAMP-PLASTIC, 3/4 PIPE (STAUFF GR4) | 3 |
| 25 | 600150 | WASHER-FLAT-SS, 3/4 SAE | 30 |
| 26 | 600140 | BOLT-SOCKET-SS, 1/4 - 20 x 1-3/4 | 6 |
| 27 | 999027 | BUSHING-PVC, 3/4 SOCKET x 1/2 NPT SCH80 (GREY) (MFG ONLY) | 2 |
| 28 | 999025 | COUPLING-PVC, 3/4 SOCKET SCH80 (GREY) (MFG ONLY) | 2 |
| 29 | 801258 | NOZZLE-PLASTIC-1/4, 8020 VEEJET | 6 |
| 30 | 400750 | NOZZLE BODY-PLASTIC, 3/4 WET BOOM (HINGED) | 6 |
| 31 | 402910 | CAP-PLASTIC, 1/4 NPT FM (WET BOOM) | 6 |
| 32 | 001986 | PLUG-PLT, 1/2 NPT SOCKET HD | 1 |
| 33 | 600021 | BOLT-HEX-SS, 1/2-13 x 1-1/2 | 16 |
| 34 | 600135 | WASHER-FLAT-SS, 1/2 SAE | 56 |
| 35 | 600134 | NUT-NYLON INSERT-SS, 1/2 - 13 | 60 |
| 36 | 600104 | ANCHOR-WEDGE-SS, 1/2 x 3-3/4 | 16 |
| 37 | 600020 | BOLT-HEX-SS, 1/2-13 x 1-1/4 | 24 |
| 38 | 600008 | BOLT-HEX-SS, 3/4-10 x 3-1/2 | 12 |
| 39 | 600041 | BOLT-HEX-SS, 3/8-16 x 4-1/2 | 24 |
| 40 | 600133 | WASHER-FLAT-SS, 3/8 SAE | 120 |
| 41 | 600160 | NUT-NYLON INSERT-SS, 3/8 - 16 | 76 |
| 42 | 600031 | BOLT-HEX-SS, 3/8-16 x 1-1/2 | 28 |
| 43 | 600035 | BOLT-HEX-SS, 3/8-16 x 1-3/4 | 24 |
| 44 | 600164 | NUT-HEX-SS, 3/4 - 10 JAM | 12 |
| 45 | 600157 | WASHER-LOCK-SS, 3/4 | 12 |
| 46 | 600024 | BOLT-HEX-SS, 1/2-13 x 2-1/4 | 4 |
| 47 | 600003 | BOLT-HEX-SS, 3/4-10 x 4-1/2 | 2 |
| 48 | 600007 | BOLT-HEX-SS, 3/4-10 x 7 | 2 |
| 49 | 530109 | TAPERLOCK, 1-3/8 (2012) BUSHING | 2 |
| 50 | 540500A | PIPE-PVC, 3/4 SCH80 (GREY) (20' LENGTHS) | 1 |

| ITEM | NAME | DESCRIPTION | QTY |
|------|--------|------------------------------------|-----|
| 51 | 600034 | BOLT-HEX-SS, 3/8-16 x 1-1/4 | 4 |
| 52 | 600154 | WASHER-LOCK-SS, 3/8 SAE | 4 |
| 53 | 600163 | NUT-NYLON INSERT-SS, 3/4 - 10 ESNA | 2 |
| 54 | 600036 | BOLT-HEX-SS, 3/8-16 x 2 | 8 |
| 55 | 600132 | NUT-NYLON INSERT-SS, 3/8 - 16 JAM | 8 |



540500AY58

MC06 WASH-ALONG CURTAIN [540500]



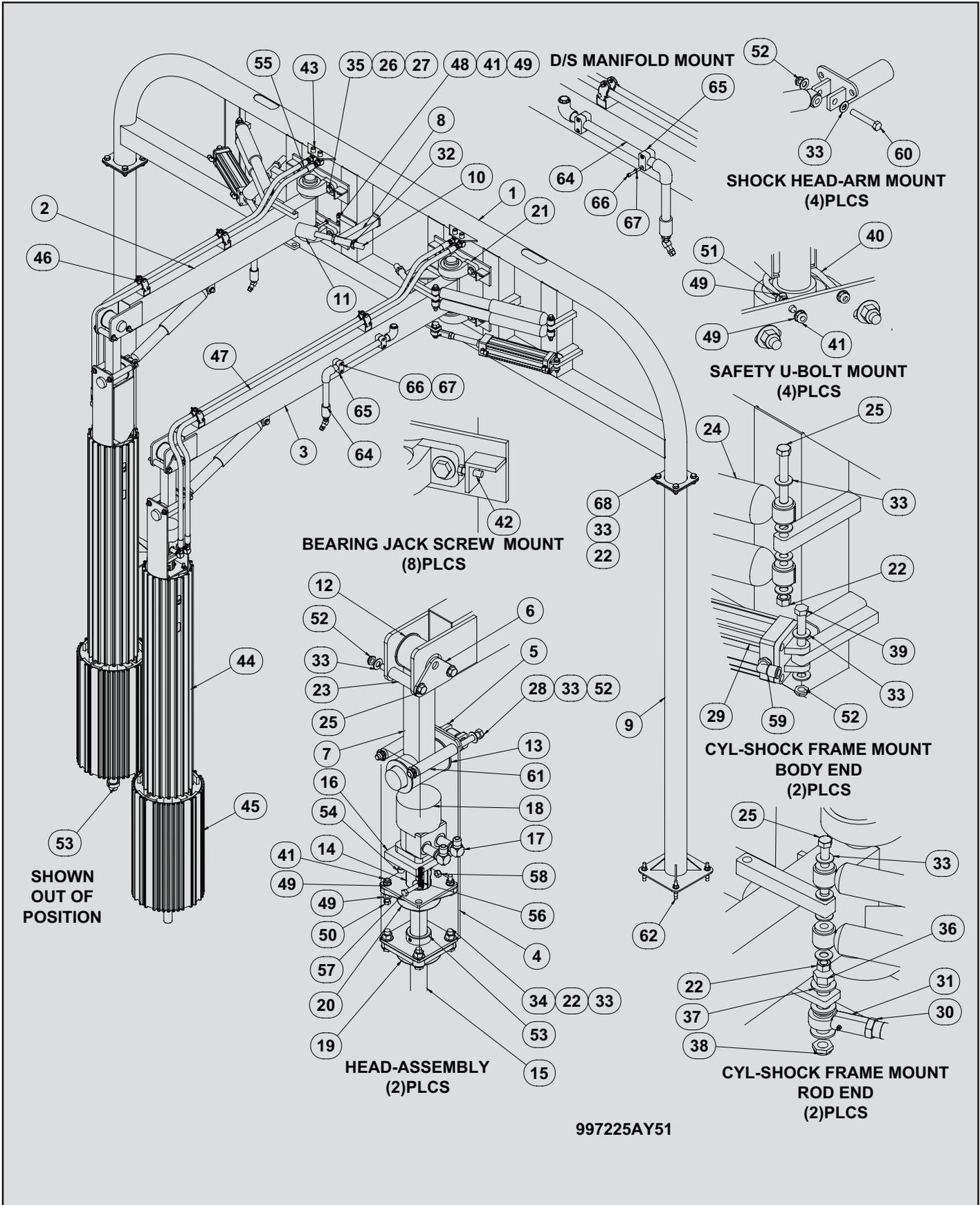
Standard Car Wash
PARTS & SUPPLIES

PECO Equipment
REPLACEMENT PARTS

Car Wash
SYSTEMS

Car Wash
EQUIPMENT

MITTER WRAP COMBO UNITS [MWC2412S]



Standard Car Wash
PARTS & SUPPLIES

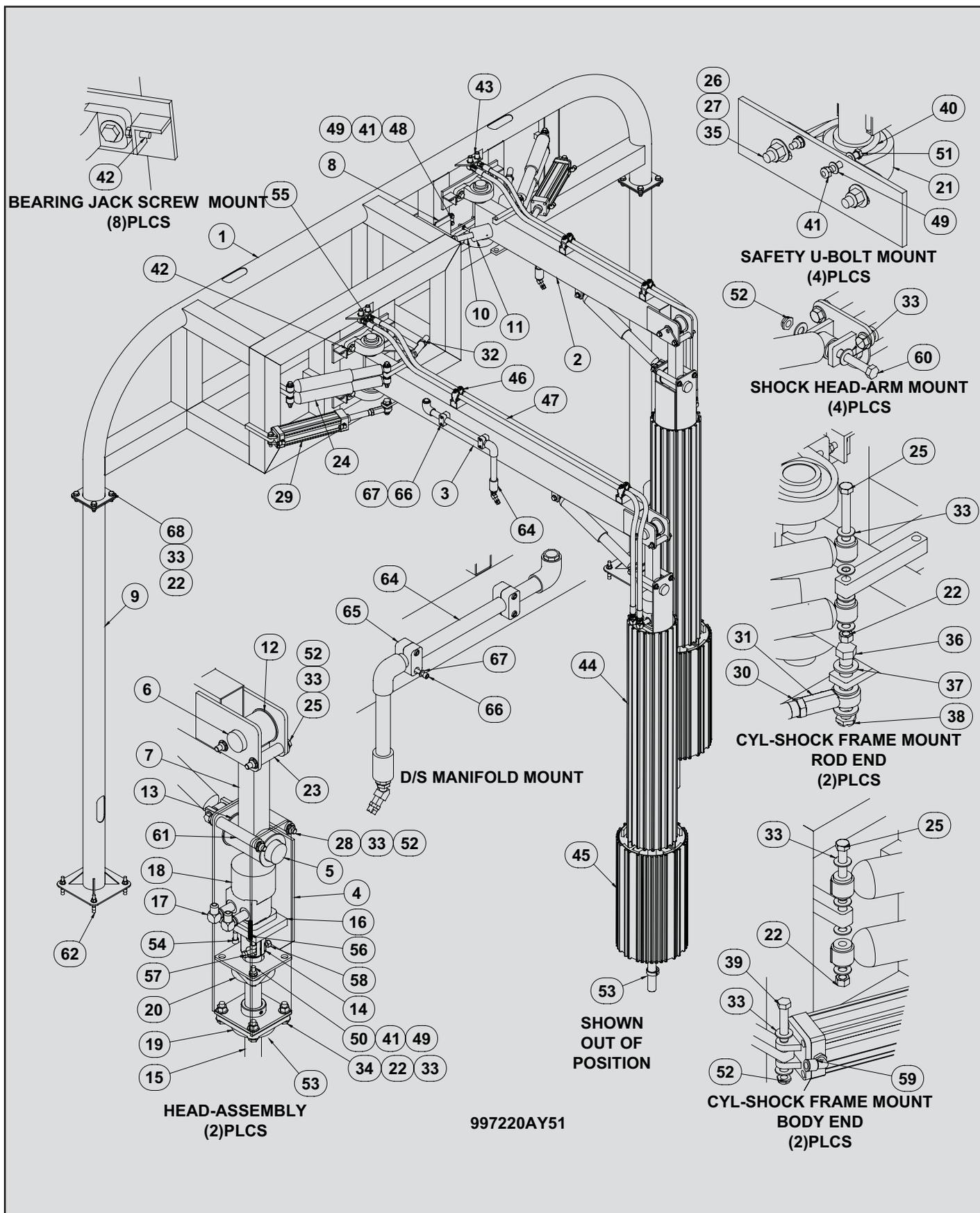
PECO Equipment
REPLACEMENT PARTS

Mitter Wrap Combo Units

Car Wash
SYSTEMS

Car Wash
EQUIPMENT

MITTER WRAP COMBO UNITS [MWC2412S]



Standard Car Wash
PARTS & SUPPLIES

PECO Equipment
REPLACEMENT PARTS

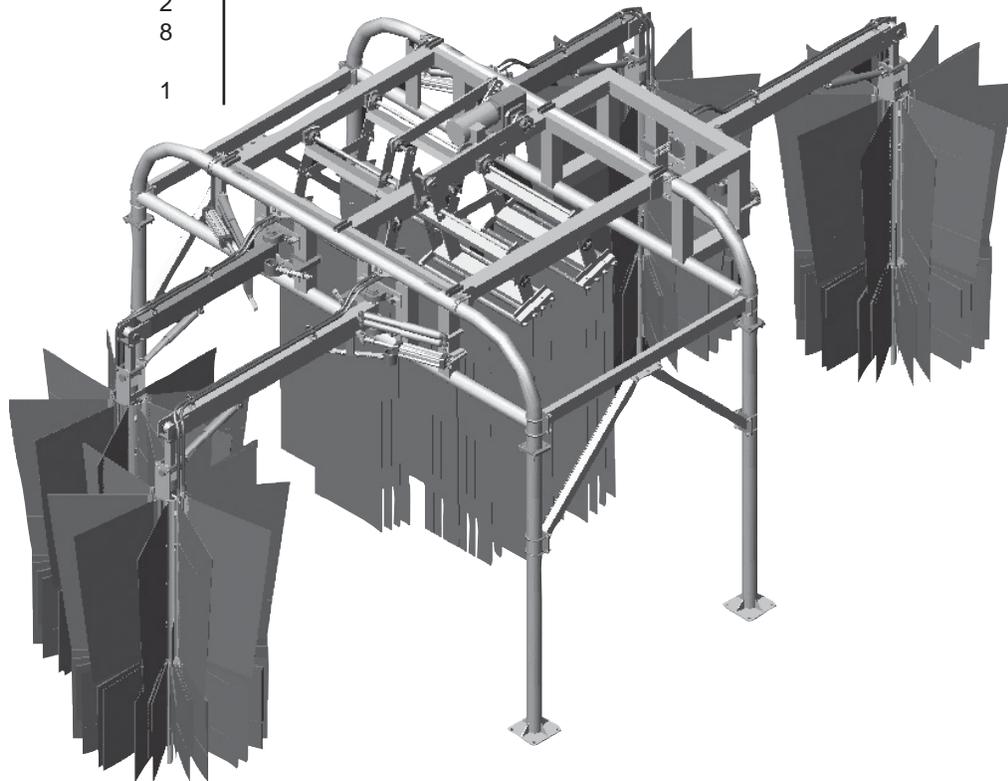
Car Wash
SYSTEMS

Car Wash
EQUIPMENT

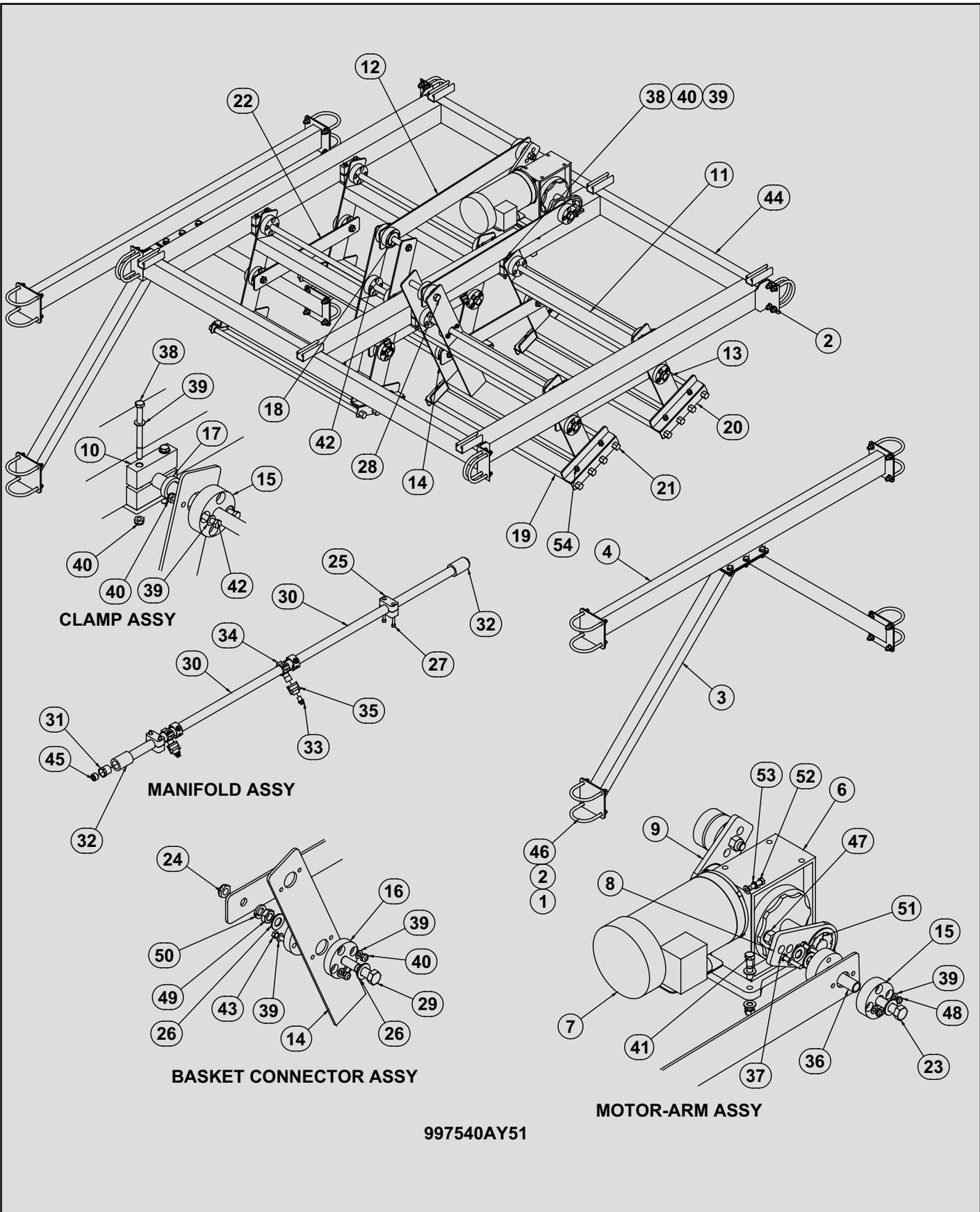
Mitter Wrap Combo Units

MITTER COMBO REPLACEMENT PARTS

| ITEM | NAME | DESCRIPTION | QTY | ITEM | NAME | DESCRIPTION | QTY |
|------|---------|--|-----|-------|--------|---|-----|
| 1 | 600135 | WASHER-FLAT-SS, 1/2 SAE | 80 | 31 | 999027 | BUSHING-PVC, 3/4 SOCKET x 1/2 NPT SCH80 (GREY) (MFG ONLY) | 2 |
| 2 | 600134 | NUT-NYLON INSERT-SS, 1/2 - 13 | 80 | 32 | 999025 | COUPLING-PVC, 3/4 SOCKET SCH80 (GREY) (MFG ONLY) | 2 |
| 3 | 540522 | MWC-LEG BRACE-SS, MWC04 | 2 | 33 | 801258 | NOZZLE-PLASTIC-1/4, 8020 VEEJET | 4 |
| 4 | 540521 | MWC-FRAME BRACE-SS, MWC04 | 2 | 34 | 400750 | NOZZLE BODY-PLASTIC, 3/4 WET BOOM (HINGED) | 4 |
| 5 | 600021 | BOLT-HEX-SS, 1/2-13 x 1-1/2 | 12 | 35 | 402910 | CAP-PLASTIC, 1/4 NPT FM (WET BOOM) | 4 |
| 6 | 530100 | GEAR BOX, C-FACE MOUNT (W/DOUBLE SEALS) | 1 | 36 | 530032 | MC-BUSH-SS, MITTER ARM DRIVE | 2 |
| 7 | 530105 | MOTOR-ELEC, 1-1/2 HP 1800 RPM 145TC TEFC (230/460) | 1 | 37 | 600036 | BOLT-HEX-SS, 3/8-16 x 2 | 8 |
| 8 | 159692 | MC-ARM-PLT, RIGHT MITTER CRANK | 1 | 38 | 600041 | BOLT-HEX-SS, 3/8-16 x 4-1/2 | 16 |
| 9 | 159693 | MC-ARM-PLT, LEFT MITTER CRANK | 1 | 39 | 600133 | WASHER-FLAT-SS, 3/8 SAE | 88 |
| 10 | 530013 | MC-CLAMP-ALUM, HINGE | 16 | 40 | 600160 | NUT-NYLON INSERT-SS, 3/8 - 16 | 52 |
| 11 | 540200 | MC-ROD-SS, BASKET PIVOT (MC06/04) | 4 | 41 | 600024 | BOLT-HEX-SS, 1/2-13 x 2-1/4 | 4 |
| 12 | 530034 | MC-PLATE-ALUM, MITTER DRIVE ARM | 2 | 42 | 600031 | BOLT-HEX-SS, 3/8-16 x 1-1/2 | 20 |
| 13 | 540005 | MC-BASKET-ALUM, IDLER (MC06/04) | 2 | 43 | 600035 | BOLT-HEX-SS, 3/8-16 x 1-3/4 | 16 |
| 14 | 540006 | MC-BASKET-ALUM, DRIVE (MC06/04) | 2 | 44 | 540523 | MWC-FRAME-SS, MCW04 MAIN | 1 |
| 15 | 530001 | BRG-BUSH-1, UHMW (RED) | 18 | 45 | 001986 | PLUG-PLT, 1/2 NPT SOCKET HD | 1 |
| 16 | 530002 | BRG-BUSH-3/4, UHMW (RED) | 16 | 46 | 600190 | U-BOLT-SS, 1/2-13 x 4 x 5-1/2 RD (1-1/2 THREAD) (| MFG |
| 17 | 530015 | MC-SPACER-UHMW, BASKET SHIM | 8 | | | | |
| 18 | 530030 | MC-BUSH-SS, BASKET DRIVE | 2 | | | | |
| 19 | 999038 | NIPPLE-GALV, 1/2 NPT x 37 SCH40 (MFG ONLY) | 16 | ONLY) | 24 | | |
| 20 | 530007 | MC-RACK-SS, CLOTH SUPPORT ANGLE | 8 | 47 | 600163 | NUT-NYLON INSERT-SS, 3/4 - 10 ESNA | 2 |
| 21 | 999033 | CAP-PLT, 1/2 NPT HEX (ZINC) (MFG ONLY) | 32 | 48 | 600132 | NUT-NYLON INSERT-SS, 3/8 - 16 JAM | 8 |
| 22 | 540014 | MC-ARM-ALUM, MC04 BASKET CONNECTOR | 4 | 49 | 600164 | NUT-HEX-SS, 3/4 - 10 JAM | 8 |
| 23 | 600003 | BOLT-HEX-SS, 3/4-10 x 4-1/2 | 2 | 50 | 600157 | WASHER-LOCK-SS, 3/4 | 8 |
| 24 | 600165 | NUT-NYLON INSERT-SS, 3/4 - 10 JAM | 10 | 51 | 530109 | TAPERLOCK, 1-3/8 (2012) BUSHING | 2 |
| 25 | 046213 | CLAMP-PLASTIC, 3/4 PIPE (STAUFF GR4) | 2 | 52 | 600034 | BOLT-HEX-SS, 3/8-16 x 1-1/4 | 4 |
| 26 | 600150 | WASHER-FLAT-SS, 3/4 SAE | 22 | 53 | 600154 | WASHER-LOCK-SS, 3/8 SAE | 4 |
| 27 | 600140 | BOLT-SOCKET-SS, 1/4 - 20 x 1-3/4 | 4 | 54 | 600020 | BOLT-HEX-SS, 1/2-13 x 1-1/4 | 16 |
| 28 | 600007 | BOLT-HEX-SS, 3/4-10 x 7 | 2 | | | | |
| 29 | 600008 | BOLT-HEX-SS, 3/4-10 x 3-1/2 | 8 | | | | |
| 30 | 540560A | PIPE-PVC, 3/4 SCH80 (GREY) (20' LENGTHS) | 1 | | | | |



MITTER WRAP COMBO UNITS [MWC2412S]



Standard Car Wash
PARTS & SUPPLIES

PECO Equipment
REPLACEMENT PARTS

Car Wash
SYSTEMS

Car Wash
EQUIPMENT

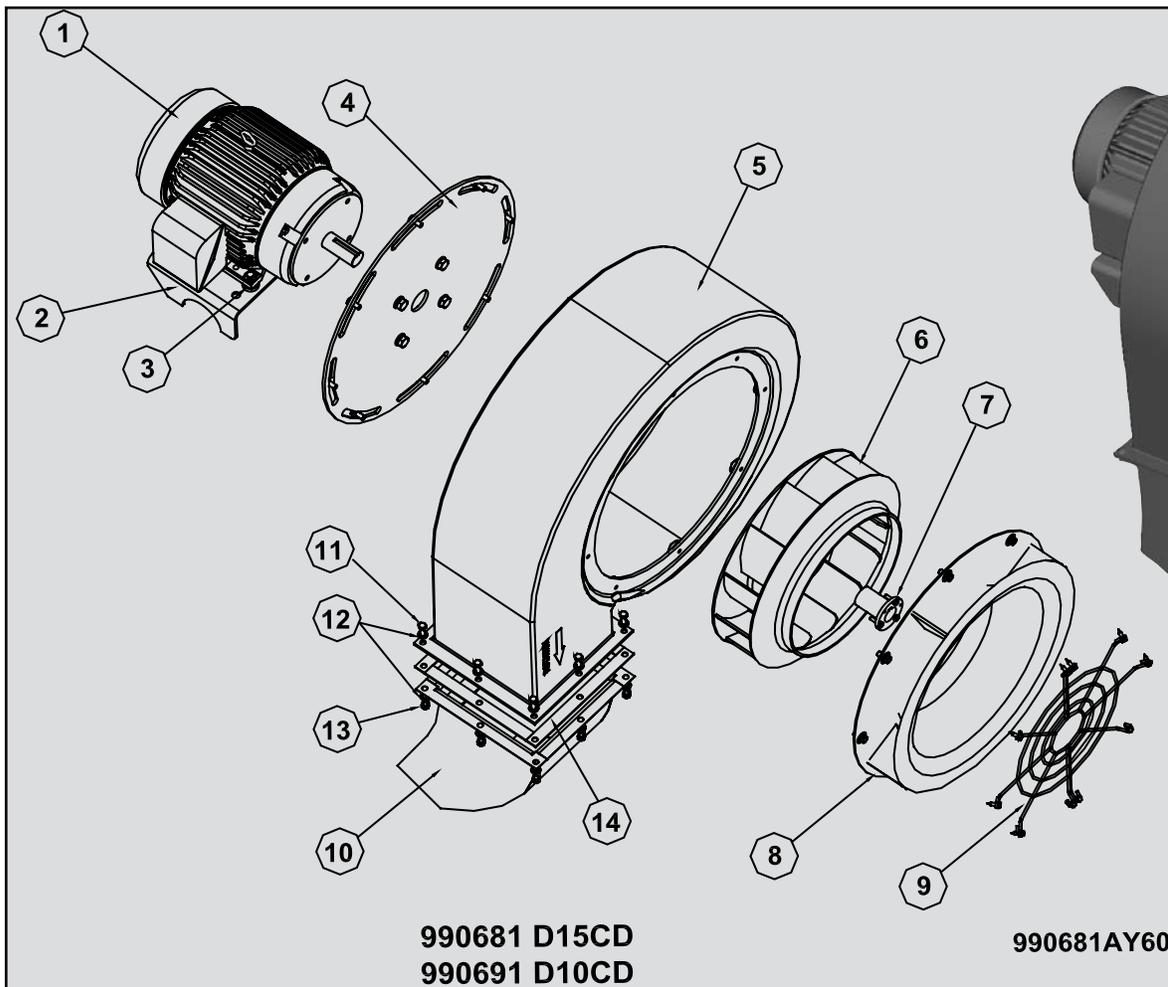
Mitter Wrap Combo Units

PECO DRYER D15CD, 990681

| ITEM | NAME | DESCRIPTION | QTY |
|------|--------|--|-----|
| 1 | 711235 | MOTOR-ELEC, PECO 15 HP 3600 RPM 215TC-CAST TEFC 230/460 | 1 |
| 2 | 699850 | DR-MOTOR MOUNT-SS, 10/15 HP PECO DRYER | 1 |
| 3 | 699851 | DR-VIBRATION PAD-RUBBER, 10/15 HP PECO DRYER | 4 |
| 4 | 699852 | DR-CONNECTOR PLATE-ALUM, 10/15 HP PECO DRYER | 1 |
| 5 | 699853 | DR-HOUSING-PLASTIC, 10/15 HP PECO DRYER | 1 |
| 6 | 699854 | DR-IMPELLER-GALV, 15 HP CW PECO DRYER | 1 |
| 7 | | | |
| 8 | 699857 | DR-INTAKE CONE-PLASTIC, 10/15 HP PECO DRYER | 1 |
| 9 | 699858 | DR-INTAKE SCREEN-ALUM, 10/15 HP PECO DRYER | 1 |
| 10 | 699871 | DR-NOZZLE-SS, PECO DIRECTIONAL | 1 |
| 11 | 600030 | BOLT-HEX-SS, 3/8-16 X 1 | 8 |
| 12 | 600151 | WASHER-FLAT-SS, 3/8 USS | 16 |
| 13 | 600160 | NUT-NYLON INSERT-SS, 3/8-16 | 8 |
| 14 | 699874 | DR-GASKET-FOAM, PECO NOZZLE | 4 |

PECO DRYER D10CD, 990691

| ITEM | NAME | DESCRIPTION | QTY |
|------|--------|--|-----|
| 1 | 711236 | MOTOR-ELEC, PECO 10 HP 3600 RPM 215TC-CAST TEFC 230/460 | 1 |
| 2 | 699850 | DR-MOTOR MOUNT-SS, 10/15 HP PECO DRYER | 1 |
| 3 | 699851 | DR-VIBRATION PAD-RUBBER, 10/15 HP PECO DRYER | 4 |
| 4 | 699852 | DR-CONNECTOR PLATE-ALUM, 10/15 HP PECO DRYER | 1 |
| 5 | 699853 | DR-HOUSING-PLASTIC, 10/15 HP PECO DRYER | 1 |
| 6 | 699954 | DR-IMPELLER-GALV, 10 HP CW PECO DRYER | 1 |
| 7 | | | |
| 8 | 699857 | DR-INTAKE CONE-PLASTIC, 10/15 HP PECO DRYER | 1 |
| 9 | 699858 | DR-INTAKE SCREEN-ALUM, 10/15 HP PECO DRYER | 1 |
| 10 | 699871 | DR-NOZZLE-SS, PECO DIRECTIONAL | 1 |
| 11 | 600030 | BOLT-HEX-SS, 3/8-16 X 1 | 8 |
| 12 | 600151 | WASHER-FLAT-SS, 3/8 USS | 16 |
| 13 | 600160 | NUT-NYLON INSERT-SS, 3/8-16 | 8 |
| 14 | 699874 | DR-GASKET-FOAM, PECO NOZZLE | 4 |



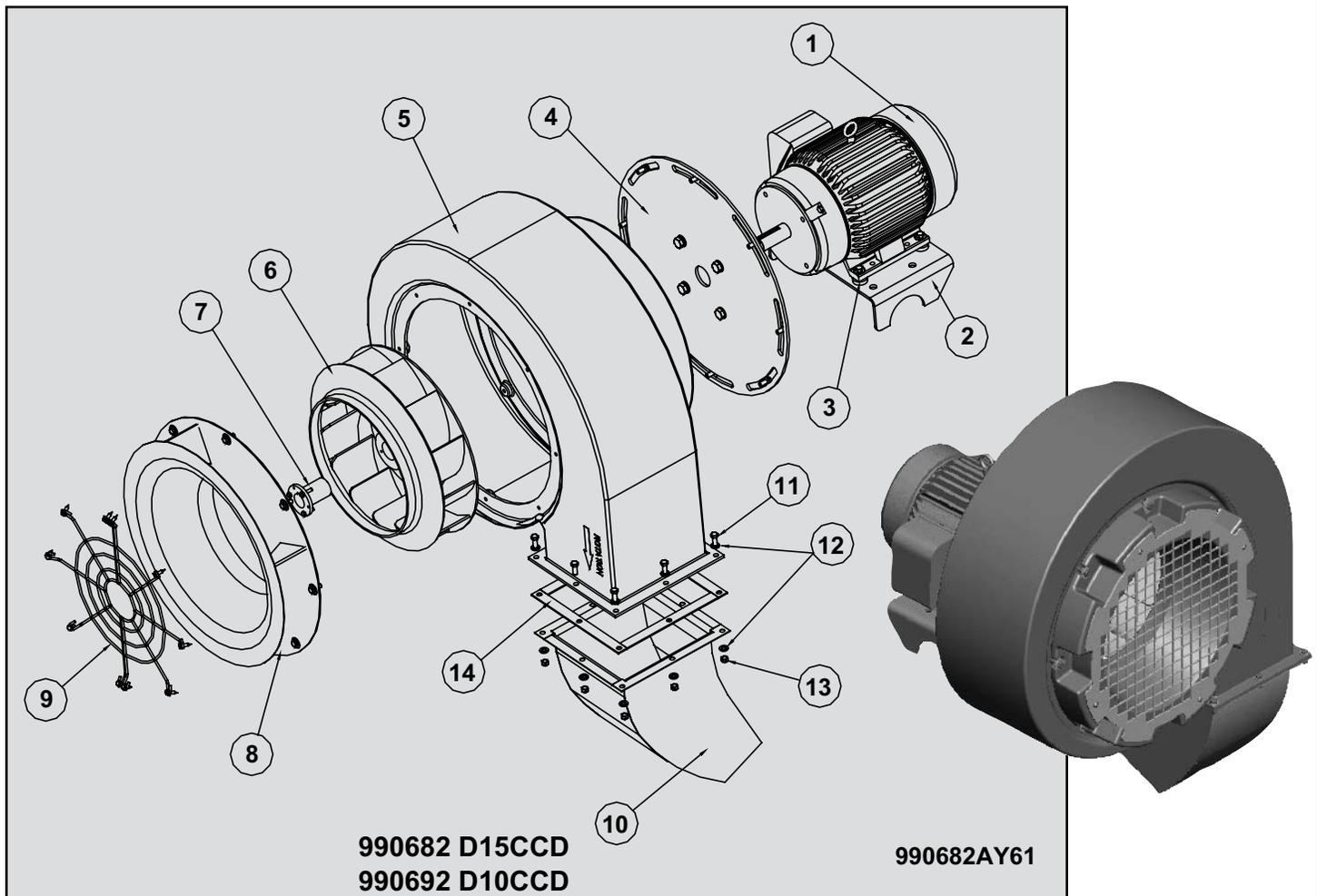
PECO DRYER [D15CCD, D10CCD]

PECO DRYER D15CCD, 990682

| ITEM | NAME | DESCRIPTION | QTY |
|------|--------|--|-----|
| 1 | 711235 | MOTOR-ELEC, PECO 15 HP 3600 RPM 215TC-CAST TEFC 230/460 | 1 |
| 2 | 699850 | DR-MOTOR MOUNT-SS, 10/15 HP PECO DRYER | 1 |
| 3 | 699851 | DR-VIBRATION PAD-RUBBER, 10/15 HP PECO DRYER | 4 |
| 4 | 699852 | DR-CONNECTOR PLATE-ALUM, 10/15 HP PECO DRYER | 1 |
| 5 | 699853 | DR-HOUSING-PLASTIC, 10/15 HP PECO DRYER | 1 |
| 6 | 699855 | DR-IMPELLER-GALV, 15 HP CCW PECO DRYER | 1 |
| 7 | | | |
| 8 | 699857 | DR-INTAKE CONE-PLASTIC, 10/15 HP PECO DRYER | 1 |
| 9 | 699858 | DR-INTAKE SCREEN-ALUM, 10/15 HP PECO DRYER | 1 |
| 10 | 699871 | DR-NOZZLE-SS, PECO DIRECTIONAL | 1 |
| 11 | 600030 | BOLT-HEX-SS, 3/8-16 X 1 | 8 |
| 12 | 600151 | WASHER-FLAT-SS, 3/8 USS | 16 |
| 13 | 600160 | NUT-NYLON INSERT-SS, 3/8-16 | 8 |
| 14 | 699874 | DR-GASKET-FOAM, PECO NOZZLE | 4 |

PECO DRYER D10CCD, 990692

| ITEM | NAME | DESCRIPTION | QTY |
|------|--------|--|-----|
| 1 | 711236 | MOTOR-ELEC, PECO 10 HP 3600 RPM 215TC-CAST TEFC 230/460 | 1 |
| 2 | 699850 | DR-MOTOR MOUNT-SS, 10/15 HP PECO DRYER | 1 |
| 3 | 699851 | DR-VIBRATION PAD-RUBBER, 10/15 HP PECO DRYER | 4 |
| 4 | 699852 | DR-CONNECTOR PLATE-ALUM, 10/15 HP PECO DRYER | 1 |
| 5 | 699853 | DR-HOUSING-PLASTIC, 10/15 HP PECO DRYER | 1 |
| 6 | 699955 | DR-IMPELLER-GALV, 10 HP CCW PECO DRYER | 1 |
| 7 | | | |
| 8 | 699857 | DR-INTAKE CONE-PLASTIC, 10/15 HP PECO DRYER | 1 |
| 9 | 699858 | DR-INTAKE SCREEN-ALUM, 10/15 HP PECO DRYER | 1 |
| 10 | 699871 | DR-NOZZLE-SS, PECO DIRECTIONAL | 1 |
| 11 | 600030 | BOLT-HEX-SS, 3/8-16 X 1 | 8 |
| 12 | 600151 | WASHER-FLAT-SS, 3/8 USS | 16 |
| 13 | 600160 | NUT-NYLON INSERT-SS, 3/8-16 | 8 |
| 14 | 699874 | DR-GASKET-FOAM, PECO NOZZLE | 4 |



Standard Car Wash
PARTS & SUPPLIES

PECO Equipment
REPLACEMENT PARTS

Car Wash
SYSTEMS

Car Wash
EQUIPMENT

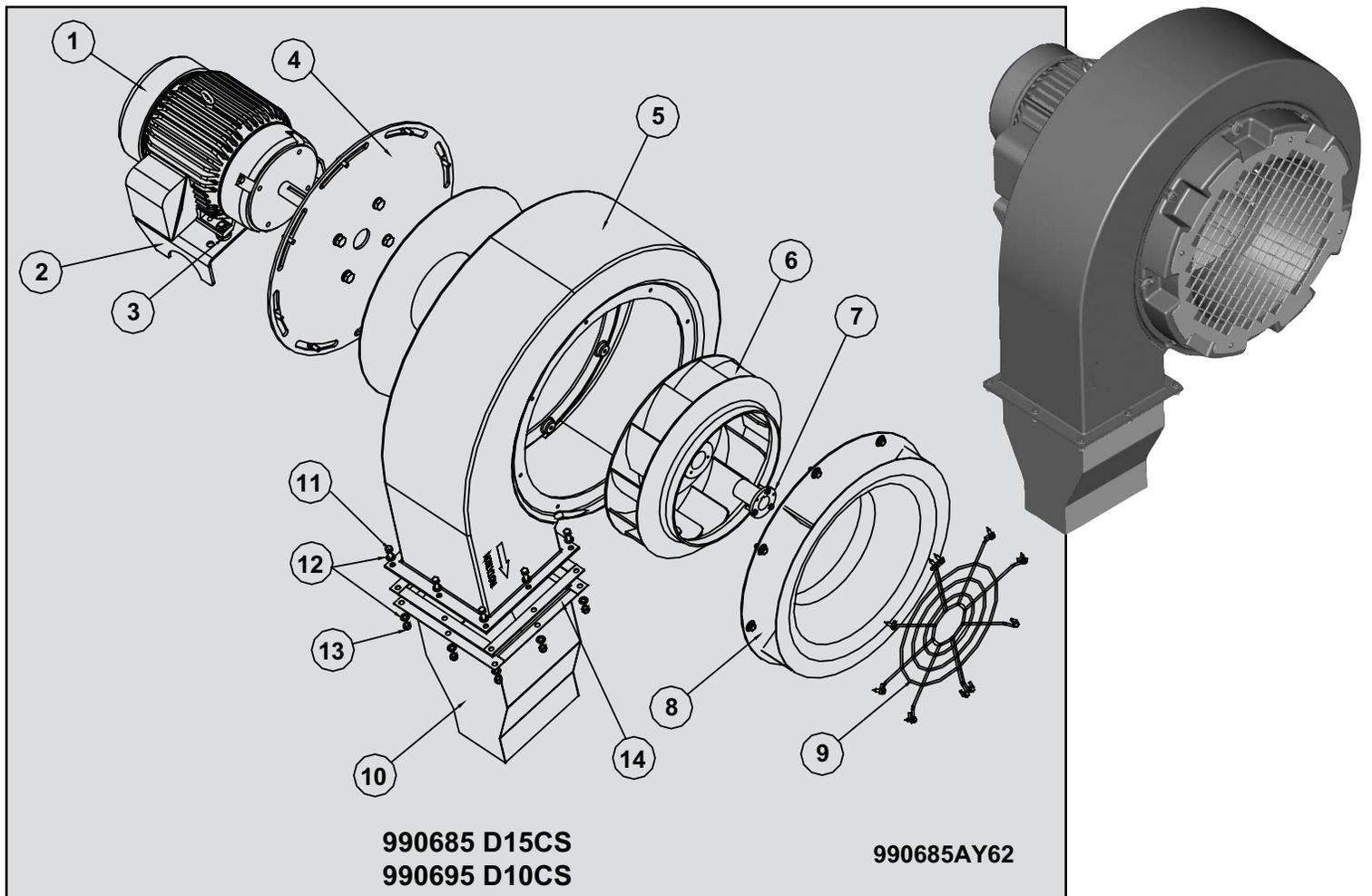
PECO Dryers

PECO DRYER D15CS, 990685

| ITEM | NAME | DESCRIPTION | QTY |
|------|--------|--|-----|
| 1 | 711235 | MOTOR-ELEC, PECO 15 HP 3600 RPM 215TC-CAST TEFC 230/460 | 1 |
| 2 | 699850 | DR-MOTOR MOUNT-SS, 10/15 HP PECO DRYER | 1 |
| 3 | 699851 | DR-VIBRATION PAD-RUBBER, 10/15 HP PECO DRYER | 4 |
| 4 | 699852 | DR-CONNECTOR PLATE-ALUM, 10/15 HP PECO DRYER | 1 |
| 5 | 699853 | DR-HOUSING-PLASTIC, 10/15 HP PECO DRYER | 1 |
| 6 | 699854 | DR-IMPELLER-GALV, 15 HP CW PECO DRYER | 1 |
| 7 | | | |
| 8 | 699857 | DR-INTAKE CONE-PLASTIC, 10/15 HP PECO DRYER | 1 |
| 9 | 699858 | DR-INTAKE SCREEN-ALUM, 10/15 HP PECO DRYER | 1 |
| 10 | 690810 | DR-NOZZLE-SS, PECO STRAIGHT | 1 |
| 11 | 600030 | BOLT-HEX-SS, 3/8-16 X 1 | 8 |
| 12 | 600151 | WASHER-FLAT-SS, 3/8 USS | 16 |
| 13 | 600160 | NUT-NYLON INSERT-SS, 3/8-16 | 8 |
| 14 | 699874 | DR-GASKET-FOAM, PECO NOZZLE | 4 |

PECO DRYER D10CS, 990695

| ITEM | NAME | DESCRIPTION | QTY |
|------|--------|--|-----|
| 1 | 711236 | MOTOR-ELEC, PECO 10 HP 3600 RPM 215TC-CAST TEFC 230/460 | 1 |
| 2 | 699850 | DR-MOTOR MOUNT-SS, 10/15 HP PECO DRYER | 1 |
| 3 | 699851 | DR-VIBRATION PAD-RUBBER, 10/15 HP PECO DRYER | 4 |
| 4 | 699852 | DR-CONNECTOR PLATE-ALUM, 10/15 HP PECO DRYER | 1 |
| 5 | 699853 | DR-HOUSING-PLASTIC, 10/15 HP PECO DRYER | 1 |
| 6 | 699954 | DR-IMPELLER-GALV, 10 HP CW PECO DRYER | 1 |
| 7 | | | |
| 8 | 699857 | DR-INTAKE CONE-PLASTIC, 10/15 HP PECO DRYER | 1 |
| 9 | 699858 | DR-INTAKE SCREEN-ALUM, 10/15 HP PECO DRYER | 1 |
| 10 | 690810 | DR-NOZZLE-SS, PECO STRAIGHT | 1 |
| 11 | 600030 | BOLT-HEX-SS, 3/8-16 X 1 | 8 |
| 12 | 600151 | WASHER-FLAT-SS, 3/8 USS | 16 |
| 13 | 600160 | NUT-NYLON INSERT-SS, 3/8-16 | 8 |
| 14 | 699874 | DR-GASKET-FOAM, PECO NOZZLE | 4 |



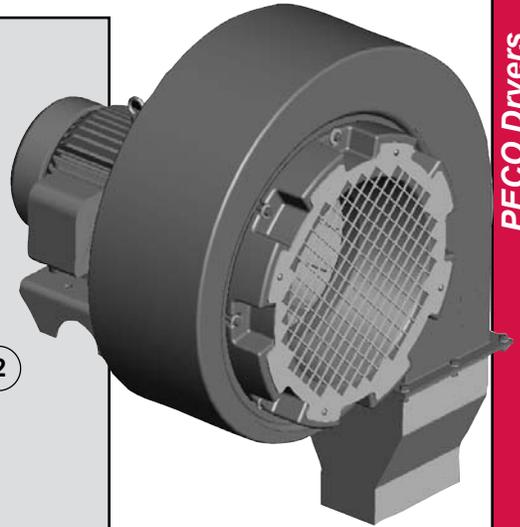
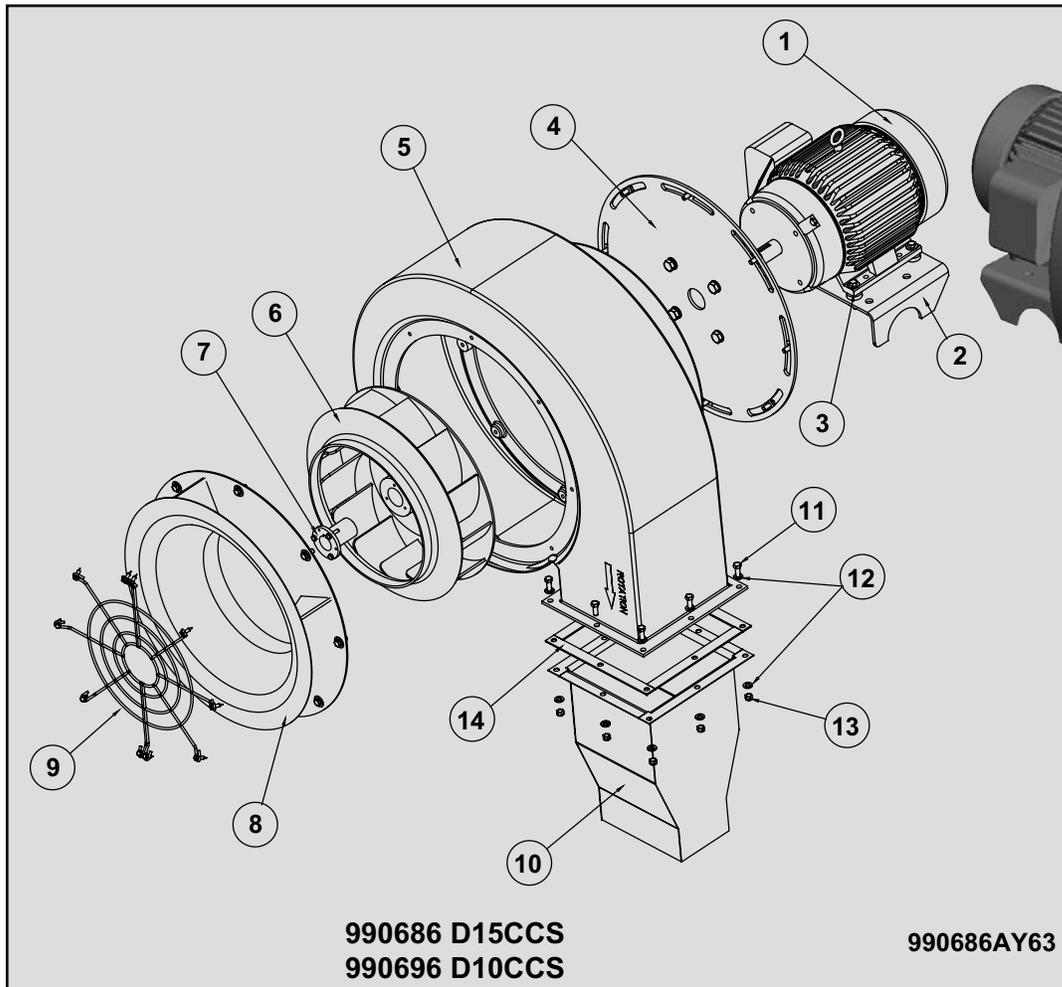
PECO DRYER [D15CCS, D10CCS]

PECO DRYER D15CCS, 990686

| ITEM | NAME | DESCRIPTION | QTY |
|------|--------|--|-----|
| 1 | 711235 | MOTOR-ELEC, PECO 15 HP 3600 RPM 215TC-CAST TEFC 230/460 | 1 |
| 2 | 699850 | DR-MOTOR MOUNT-SS, 10/15 HP PECO DRYER | 1 |
| 3 | 699851 | DR-VIBRATION PAD-RUBBER, 10/15 HP PECO DRYER | 4 |
| 4 | 699852 | DR-CONNECTOR PLATE-ALUM, 10/15 HP PECO DRYER | 1 |
| 5 | 699853 | DR-HOUSING-PLASTIC, 10/15 HP PECO DRYER | 1 |
| 6 | 699855 | DR-IMPELLER-GALV, 15 HP CCW PECO DRYER | 1 |
| 7 | | | |
| 8 | 699857 | DR-INTAKE CONE-PLASTIC, 10/15 HP PECO DRYER | 1 |
| 9 | 699858 | DR-INTAKE SCREEN-ALUM, 10/15 HP PECO DRYER | 1 |
| 10 | 690810 | DR-NOZZLE-SS, PECO STRAIGHT | 1 |
| 11 | 600030 | BOLT-HEX-SS, 3/8-16 X 1 | 8 |
| 12 | 600151 | WASHER-FLAT-SS, 3/8 USS | 16 |
| 13 | 600160 | NUT-NYLON INSERT-SS, 3/8-16 | 8 |
| 14 | 699874 | DR-GASKET-FOAM, PECO NOZZLE | 4 |

PECO DRYER D10CCS, 990696

| ITEM | NAME | DESCRIPTION | QTY |
|------|--------|--|-----|
| 1 | 711236 | MOTOR-ELEC, PECO 10 HP 3600 RPM 215TC-CAST TEFC 230/460 | 1 |
| 2 | 699850 | DR-MOTOR MOUNT-SS, 10/15 HP PECO DRYER | 1 |
| 3 | 699851 | DR-VIBRATION PAD-RUBBER, 10/15 HP PECO DRYER | 4 |
| 4 | 699852 | DR-CONNECTOR PLATE-ALUM, 10/15 HP PECO DRYER | 1 |
| 5 | 699853 | DR-HOUSING-PLASTIC, 10/15 HP PECO DRYER | 1 |
| 6 | 699955 | DR-IMPELLER-GALV, 10 HP CCW PECO DRYER | 1 |
| 7 | | | |
| 8 | 699857 | DR-INTAKE CONE-PLASTIC, 10/15 HP PECO DRYER | 1 |
| 9 | 699858 | DR-INTAKE SCREEN-ALUM, 10/15 HP PECO DRYER | 1 |
| 10 | 690810 | DR-NOZZLE-SS, PECO STRAIGHT | 1 |
| 11 | 600030 | BOLT-HEX-SS, 3/8-16 X 1 | 8 |
| 12 | 600151 | WASHER-FLAT-SS, 3/8 USS | 16 |
| 13 | 600160 | NUT-NYLON INSERT-SS, 3/8-16 | 8 |
| 14 | 699874 | DR-GASKET-FOAM, PECO NOZZLE | 4 |



PECO Dryers

Standard Car Wash
PARTS & SUPPLIES

PECO Equipment
REPLACEMENT PARTS

Car Wash
SYSTEMS

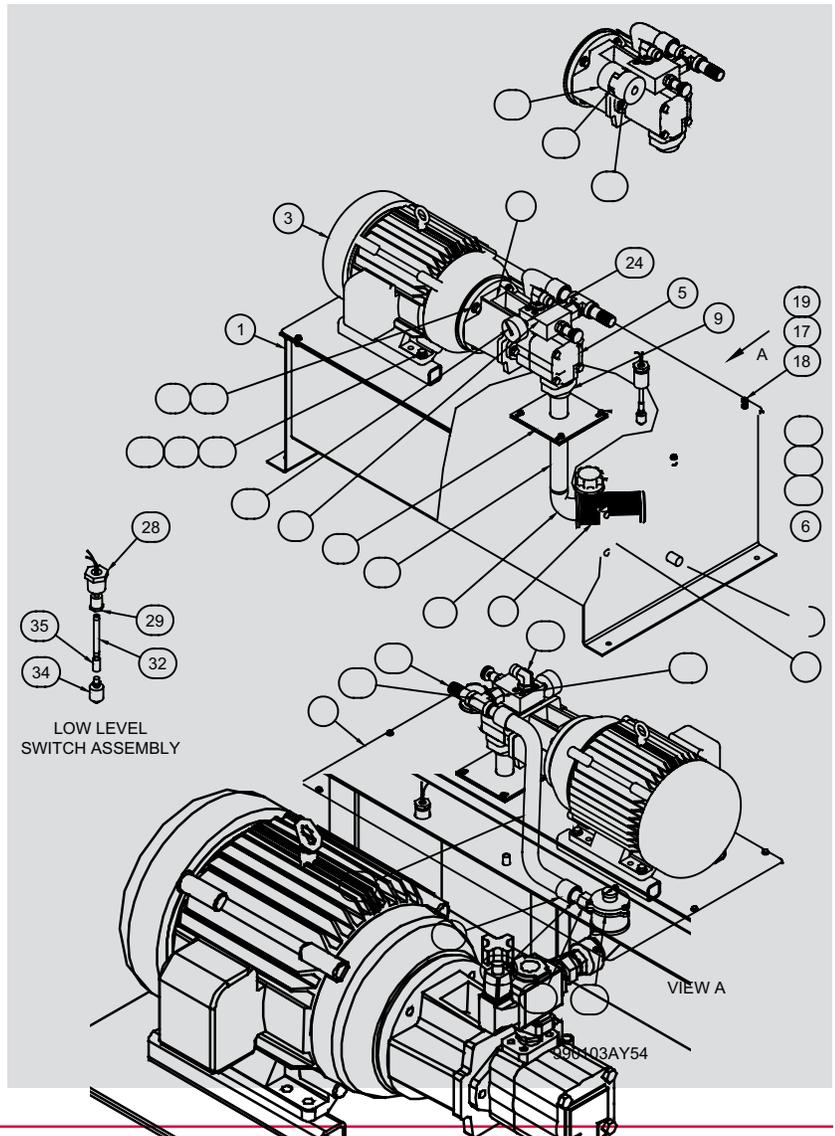
Car Wash
EQUIPMENT



| ITEM | NAME | DESCRIPTION | QTY |
|------|--------|---|-----|
| 1 | 911500 | HYD-TANK-PAINTED, 20HP PHS UNITS | 1 |
| 2 | 911501 | HYD-TOP-PAINTED, 20HP PHS UNITS | 1 |
| 3 | 711240 | MOTOR-ELEC, 20 HP 1800 RPM 256TC TEFC (208/230/460) | 1 |
| 4 | 911405 | HYD-ADAPTER, C-FACE PUMP/MOTOR | 1 |
| 5 | 911404 | PUMP-VICKERS, 25VQ21A1D20 HYDRAULIC (PHS2531) | 1 |
| 6 | 007998 | HYD-FILLER BREATHER, PHS UNITS | 1 |
| 7 | 007999 | HYD-SIGHT GAUGE, PHS UNITS | 1 |
| 8 | 007997 | HYD-STRAINER, 1-1/2 NPT SUCTION (PHS 20 HP UNIT) | 1 |
| 9 | 911414 | HYD-FLANGE, 1-1/2 NPT 25VQ PUMP (W/BOLTS & O-RING) | 1 |
| 10 | 999147 | NIPPLE-BLK, 1-1/2 X 14 SCH40 | 1 |
| 11 | 999084 | ELBOW-BLK, 1-1/2 STREET STD | 1 |
| 12 | 911358 | HYD-FLANGE, 1-1/2 SUCTION LINE (PHS 20HP UNIT) | 1 |
| 13 | 999206 | NIPPLE-BLK, 1/4 X 20 SCH40 | 1 |
| 14 | 040114 | COUPLING INSERT, L-110 (PHS 20HP UNIT) | 1 |
| 15 | 040112 | COUPLING FLANGE, L-110 7/8 (PHS 20HP UNIT) | 1 |
| 16 | 040113 | COUPLING FLANGE, L-110 1-5/8 (PHS 20HP UNIT) | 1 |
| 17 | 016154 | NUT-NYLON INSERT-PLT, 5/16-18 | 6 |
| 18 | 017210 | BOLT-HEX-PLT, 5/16-18 X 1 GR5 | 6 |
| 19 | 015420 | WASHER-FLAT-PLT, 5/16 SAE | 6 |
| 20 | 001986 | PLUG-PLT, 1/2 NPT SOCKET HD | 1 |
| 21 | 911359 | HYD-RELIEF VALVE-ALUM, FLANGE MNT ADJUSTABLE (PHS 20HP UNIT) | 1 |
| 22 | 001163 | TEE-PLT, 1" NPT ML BRANCH | 1 |
| 23 | 001395 | ADAPTER-PLT, 1" STRAIGHT THRD O-RING X 1" NPT FM | 2 |
| 24 | 184698 | ADAPTER-PLT, 7/16 STRAIGHT THRD O-RING X 1/4 NPT | 1 |
| 25 | 001263 | ELBOW-PLT, 1" O-RING X 1" JIC (90 DEGREE SWIVEL) | 1 |
| 26 | 070295 | GAUGE, 1/4 BACK MOUNT 0-2000PSI OIL FILLED | 1 |

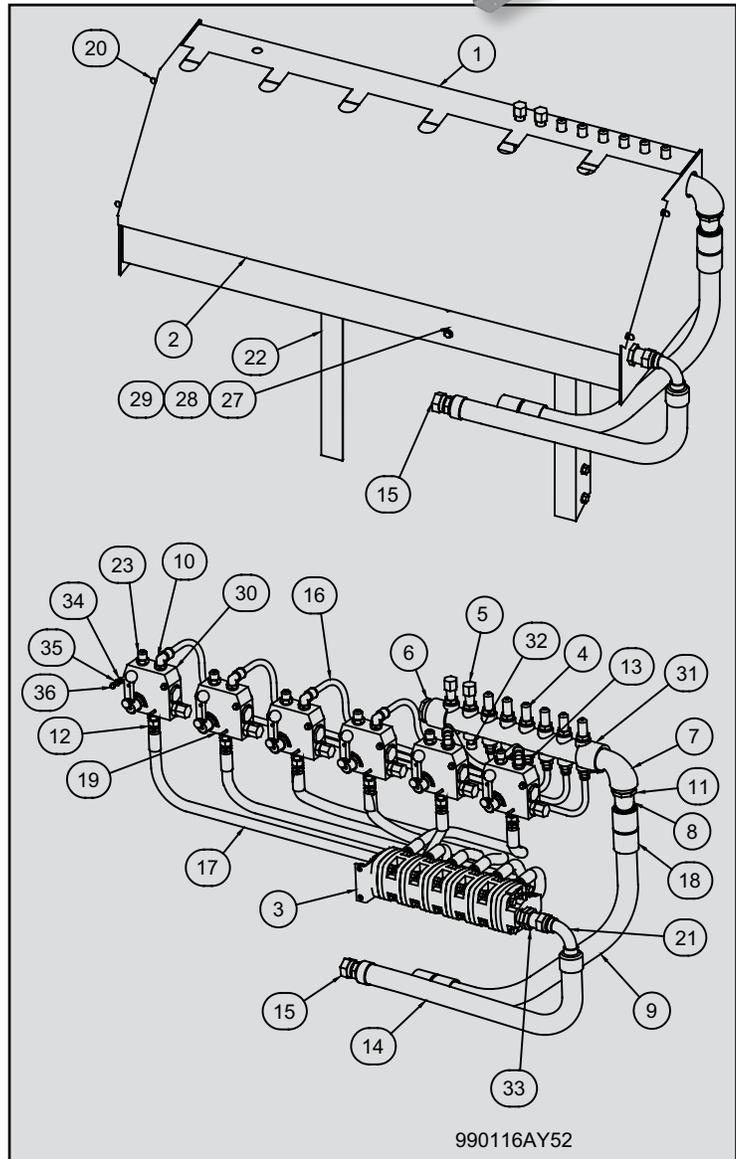
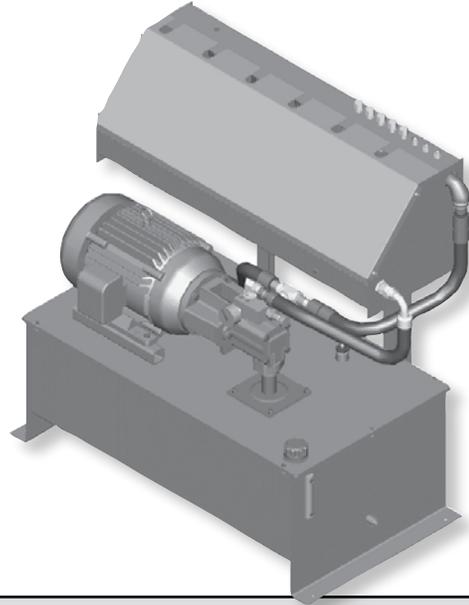
| ITEM | NAME | DESCRIPTION | QTY |
|------|--------|---|-----|
| 27 | 017459 | BOLT-HEX-PLT, 1/2-13 X 1-1/2 GR5 | 6 |
| 28 | 999205 | BUSH-BLK, 1 x 1/2 DBL TAPPED | 1 |
| 29 | 999204 | REDUCER-HEX BUSH-BLK, 1/2 X 1/8 STD | 1 |
| 30 | 015453 | WASHER-FLAT-PLT, 1/2 SAE | 10 |
| 31 | 015602 | WASHER-LOCK-PLT, 1/2 | 10 |
| 32 | 999207 | NIPPLE-BLK, 1/8" X 3 1/2" | 1 |
| 33 | 182130 | FILTER-TANK MOUNT-GLASS, PECO 20 HP HYD SYSTEM | 1 |
| 34 | 901235 | HYD-LOW LEVEL SWITCH, 1/8 NPT (PHS UNITS) | 1 |
| 35 | 999202 | COUPLING-BLK, 1/8 NPT SCH40 | 1 |
| 36 | 017178 | BOLT-HEX-PLT, 1/4-20 X 1 GR5 | 4 |
| 37 | 015560 | WASHER-LOCK-PLT, 1/4 | 4 |
| 38 | 600116 | WASHER-FLAT-PLT, 1/4 USS | 4 |
| 39 | 001713 | BARB-PLT, 1 1/4 BARB X 1 NPT | 3 |
| 40 | 193532 | HOSE 1 1/4, LOW PRESSURE 200 PSI | 27" |
| 41 | 046001 | CLAMP-GALV, 1 5/16 - 2 1/4 HOSE | 2 |

PHS25-31 20 HP HYDRAULIC UNIT REPLACEMENT PARTS



PHS25-31 20 H.P. HYDRAULIC SUPPLY SYSTEM

| ITEM | NAME | DESCRIPTION | QTY |
|------|--------|--|-----|
| 1 | 911506 | HYD-TROUGH-PAINTED, PROPORTIONATOR | 1 |
| 2 | 911508 | HYD-LID-SS, PROPORTIONATOR TROUGH | 1 |
| 3 | 911342 | PROPORTIONATOR, 6-BANK | 1 |
| 4 | 001293 | CONNECTOR-PLT, 1/2 NPT ML x 1/2 JIC BULKHEAD (W/NUT) | 8 |
| 5 | 999010 | CAP-CAP-PLT, 1/2 JIC END | 2 |
| 6 | 999007 | PLUG-PVC, 1-1/2 NPT HEX SCH80 (GREY) | 1 |
| 7 | 999084 | ELBOW-BLK, 1-1/2 STREET STD | 1 |
| 8 | 001222 | BARB-PLT, 1-1/4 BARB x 1-1/4 NPT | 1 |
| 10 | 193532 | HOSE-1 1/4, LOW PRESSURE 200 PSI | 1 |
| 11 | 001556 | ELBOW-PLASTIC, ML SWIVEL (1/2 NPT - 1/2 POLY)(BLACK) | 6 |
| 12 | 999002 | BUSH-PVC, 1-1/2 x 1-1/4 REDUCER (THRD) | 1 |
| 13 | 001414 | SWAGE-PLT, 1/2 JIC FM SWIVEL (AEROQUIP) | 12 |
| 14 | 314146 | HOSE-1, HYDRAULIC 2000 PSI | 1 |
| 15 | 001412 | SWAGE-PLT, 1 JIC FM SWIVEL (AEROQUIP) | 1 |
| 16 | 024580 | TUBING-1/2, POLYURETHANE (RED) (100' ROLL) | 1 |
| 17 | 062375 | HOSE-1/2, HYDRAULIC 2000 PSI (AEROQUIP) | 1 |
| 18 | 046001 | CLAMP-GALV, 1-5/16 - 2-1/4 HOSE | 4 |
| 19 | 320796 | VALVE-PRINCE, PRIORITY (0-8 gpm) | 5 |
| 20 | 017135 | SCREW-SS, SHOULDER THUMB 1/4-20 x 1/2 | 4 |
| 21 | 001418 | SWAGE-PLT, 1 JIC FM SWIVEL 90 DEG (AEROQUIP) | 1 |
| 22 | 911507 | HYD-MOUNTING BKT-PAINTED, PROPORTIONATOR TROUGH | 2 |
| 23 | 001285 | CONNECTOR-PLT, 1/2 JIC x 1/2 NPT ML | 18 |
| 24 | 017293 | BOLT-HEX-PLT, 3/8-16 x 1-1/4 GR5 | 8 |
| 25 | 015438 | WASHER-FLAT-PLT, 3/8 SAE (MFG ONLY) | 16 |
| 26 | 016261 | NUT-NYLON INSERT-PLT, 3/8 - 16 (MFG ONLY) | 8 |
| 27 | 600184 | NUT-NYLON INSERT-SS, 5/16 - 18 | 2 |
| 28 | 600178 | WASHER-FLAT-SS, 5/16 SAE | 4 |
| 29 | 600090 | BOLT-HEX-SS, 5/16 - 18 x 3/4 | 2 |
| 30 | 317172 | VALVE-PRINCE, PRIORITY (0-16 gpm) | 1 |
| 31 | 911450 | HYD-MANIFOLD-NYLON, 1-1/2 NPT x 1/2 NPT 16 PORT RETURN | 1 |
| 32 | 001986 | PLUG-PLT, 1/2 NPT SOCKET HD | 2 |
| 33 | 001292 | CONNECTOR-PLT, 1 NPT ML x 1 JIC BULKHEAD (W/NUT) | 1 |
| 34 | 015412 | WASHER-FLAT-PLT, 1/4 SAE | 12 |
| 35 | 015560 | WASHER-LOCK-PLT, 1/4 | 12 |
| 36 | 017203 | BOLT-HEX-PLT, 1/4 - 20 x 2-1/4 GR5 | 12 |



990116AY52

Standard Car Wash
PARTS & SUPPLIES

PECO Equipment
REPLACEMENT PARTS

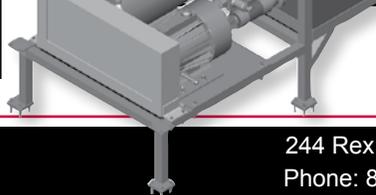
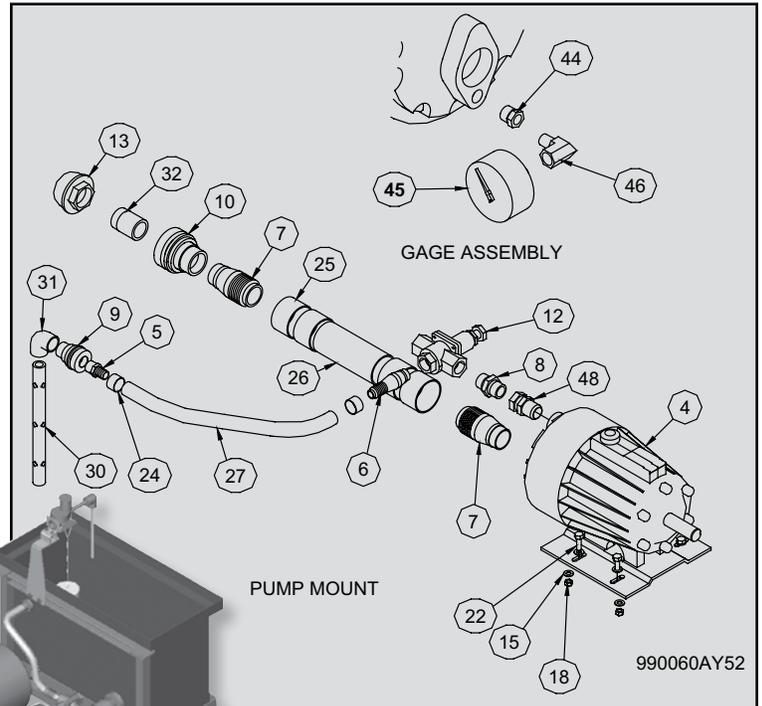
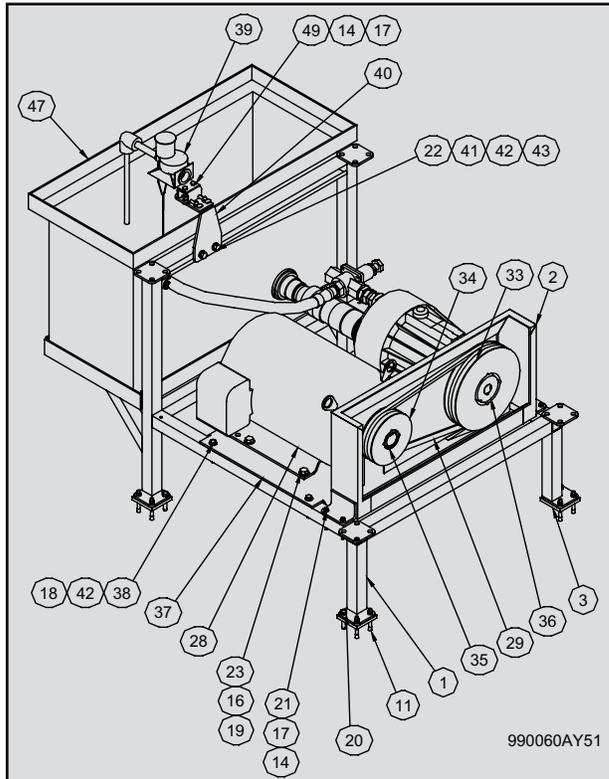
Hydraulic Supply System
Car Wash
SYSTEMS

Car Wash
SYSTEMS

Car Wash
EQUIPMENT

H2515 WANNER HP PUMP

| ITEM | NAME | DESCRIPTION | QTY | ITEM | NAME | DESCRIPTION | QTY |
|------|--------|--|-----|------|---------|---|-----|
| 1 | 342600 | PS-FRAME-GALV, H25 SERIES | 1 | 25 | 046001 | CLAMP-GALV, 1-5/16 - 2-1/4 HOSE | 4 |
| 2 | 342602 | PS-GUARD-ALUM, H25 | 1 | 26 | 082837 | HOSE-2, TIGERFLEX SUCTION | 1 |
| 3 | 510095 | PS-PAD-RUBBER, 3" x 3" SQ CUSHION | 4 | 27 | 193630 | HOSE-3/4, CLEAR EXTRUDED (WIRE REINFORCED) | 1 |
| 4 | 001672 | PUMP-WANNER, H25-E-20 GAL 1150 RPM | 1 | 28 | 711223 | MOTOR-ELEC, 15 HP 1800 RPM 254T ODP (230/460) | 1 |
| 5 | 001706 | BARB-BRASS, 3/4 BARB x 3/4 NPT | 1 | 29 | 940005 | BELT, B-51 | 2 |
| 6 | 001711 | BARB-PLT, 3/4 BARB x 1 NPT | 1 | 30 | 990060A | PIPE-PVC, 3/4 SCH80 (GREY) | 1 |
| 7 | 001712 | BARB-PLT, 2 BARB x 1-1/2 NPT | 2 | 31 | 999019 | ELBOW-PVC, 3/4 SOCKET SCH80 (90 DEGREE) | 1 |
| 8 | 001975 | NIPPLE-PLT, 1" NPT HEX | 1 | 32 | 999034 | NIPPLE-PVC, 1-1/2" x 5" SCH80 | 1 |
| 9 | 002003 | ADAPTER-PVC, 3/4" BULKHEAD SCH80 (S x T) | 1 | 33 | 999058 | SHEAVE, 9.4 - 2 GR | 1 |
| 10 | 002004 | ADAPTER-PVC, 1-1/2" BULKHEAD SCH80 (S x T) | 1 | 34 | 999061 | SHEAVE, 5.8 - 2 GR | 1 |
| 11 | 002015 | ANCHOR-WEDGE, 3/8 x 2-3/4 (MFG ONLY) | 8 | 35 | 999065 | TAPERLOCK, 1-5/8 (1610) | 1 |
| 12 | 007192 | VALVE-WANNER, REGULATOR (C23) | 1 | 36 | 999069 | TAPERLOCK, 1-1/8 (2517) | 1 |
| 13 | 007756 | SCREEN-SS, 1-1/2" NPT SUCTION (10 MESH) | 1 | 37 | 342607 | PS-MOUNTING PLATE-GALV, H25 SERIES | 1 |
| 14 | 015412 | WASHER-FLAT-PLT, 1/4 SAE | 10 | 38 | 017335 | BOLT-HEX-PLT, 3/8-16 x 2-1/2 GR5 | 4 |
| 15 | 015415 | WASHER-FLAT-PLT, 3/8 USS | 8 | 39 | 007270 | HYDROMINDER, 44 GPM (572) | 1 |
| 16 | 015453 | WASHER-FLAT-PLT, 1/2 SAE | 8 | 40 | 342656 | PS-BRACKET-SS, HYDROMINDER 6" | 1 |
| 17 | 016023 | NUT-NYLON INSERT-PLT, 1/4 - 20 | 6 | 41 | 015586 | WASHER-LOCK-PLT, 3/8 | 2 |
| 18 | 016261 | NUT-NYLON INSERT-PLT, 3/8 - 16 (MFG ONLY) | 8 | 42 | 015438 | WASHER-FLAT-PLT, 3/8 SAE (MFG ONLY) | 10 |
| 19 | 016287 | NUT-NYLON INSERT-PLT, 1/2 - 13 (MFG ONLY) | 4 | 43 | 016162 | NUT-KINDORF-PLT, 3/8" - 16 (W/SPRING) | 2 |
| 20 | 017031 | SCREW-ZINC PLT, HEX LAG 3/8 x 2 | 4 | 44 | 001385 | REDUCER-PLT, 3/8 x 1/4 NPT | 1 |
| 21 | 017205 | BOLT-HEX-PLT, 1/4-20 x 2-1/2 GR5 | 4 | 45 | 070295 | GAUGE, 1/4 BACK MOUNT 0-2000PSI OIL FILLED | 1 |
| 22 | 017293 | BOLT-HEX-PLT, 3/8-16 x 1-1/4 GR5 | 6 | 46 | 001175 | STREET ELL-PLT, 1/4 NPT | 1 |
| 23 | 017459 | BOLT-HEX-PLT, 1/2-13 x 1-1/2 GR5 | 4 | 47 | 990060B | TANK-PLASTIC, 30"L x 12"W x 18"H (30 GAL) | 1 |
| 24 | 029170 | CLAMP-GALV, 3/4 - 1-1/2 HOSE | 2 | 48 | 001326 | ADAPTER-PLT, 1" NPT SWIVEL | 1 |
| | | | | 49 | 017178 | BOLT-HEX-PLT, 1/4-20 x 1 GR5 | 2 |

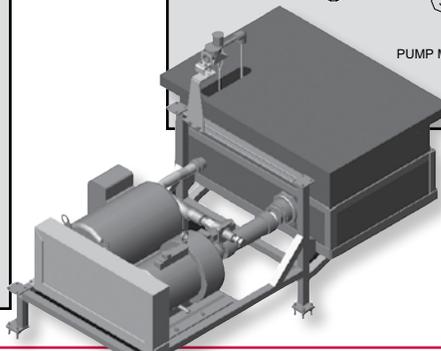
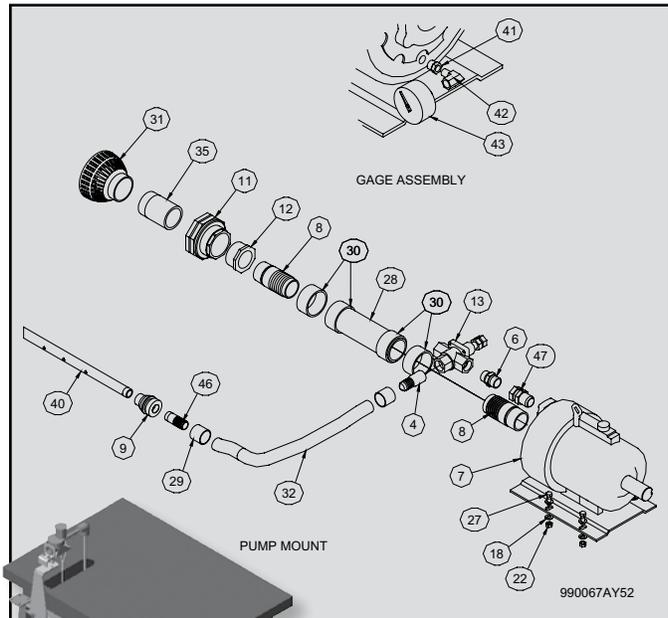
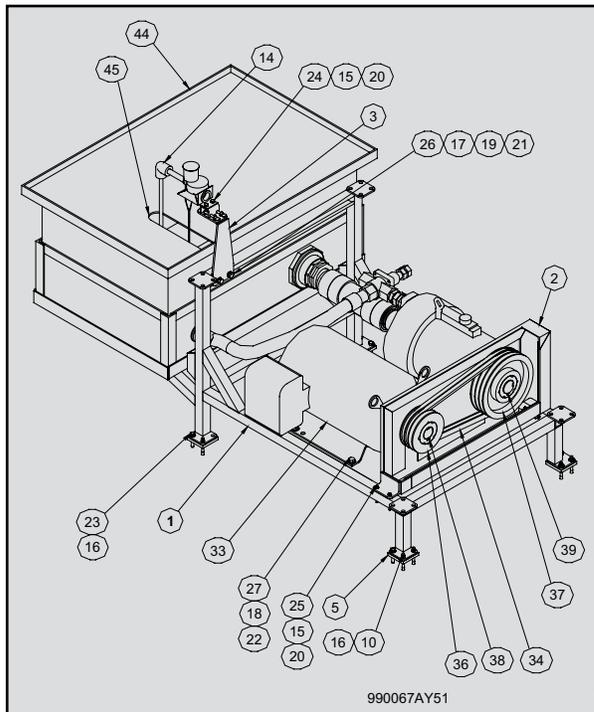


WANNER HIGH PRESSURE PUMPING STATION

D3530-990067 WANNER H.P. PUMPING STATION

| ITEM | NAME | DESCRIPTION | QTY |
|------|--------|--|-----|
| 1 | 342650 | PS-FRAME-GALV, D35 PUMP STATION | 1 |
| 2 | 342652 | PS-GUARD-ALUM, D35 BELT | 1 |
| 3 | 342655 | PS-BRACKET-SS, D35 HYDROMINDER 10" | 1 |
| 4 | 001222 | BARB-PLT, 1-1/4 BARB x 1-1/4 NPT | 1 |
| 5 | 510095 | PS-PAD-RUBBER, 3" x 3" SQ CUSHION | 4 |
| 6 | 001627 | NIPPLE-PLT, 1-1/4 NPT HEX | 1 |
| 7 | 001675 | PUMP-WANNER, D-35 HYDRACELL | 1 |
| 8 | 001715 | BARB-PLT, 3 BARB x 2-1/2 NPT | 2 |
| 9 | 002011 | ADAPTER-PVC, 1" BULKHEAD SCH80 (T x T) | 1 |
| 10 | 002015 | ANCHOR-WEDGE, 3/8 x 2-3/4 (MFG ONLY) | 8 |
| 11 | 002026 | ADAPTER-PVC, 3" SCH80 BULKHEAD (S x T) | 1 |
| 12 | 002027 | BUSH-PVC, 2-1/2 NPT x 3 NPT REDUCING | 1 |
| 13 | 007197 | VALVE-WANNER, REGULATOR (C24) | 1 |
| 14 | 007270 | HYDROMINDER, 44 GPM (572) | 1 |
| 15 | 015412 | WASHER-FLAT-PLT, 1/4 SAE | 12 |
| 16 | 015415 | WASHER-FLAT-PLT, 3/8 USS | 4 |
| 17 | 015438 | WASHER-FLAT-PLT, 3/8 SAE (MFG ONLY) | 2 |
| 18 | 015453 | WASHER-FLAT-PLT, 1/2 SAE | 16 |
| 19 | 015586 | WASHER-LOCK-PLT, 3/8 | 2 |
| 20 | 016023 | NUT-NYLON INSERT-PLT, 1/4 - 20 | 6 |
| 21 | 016162 | NUT-KINDORF-PLT, 3/8" - 16 (W/SPRING) | 2 |
| 22 | 016287 | NUT-NYLON INSERT-PLT, 1/2 - 13 (MFG ONLY) | 8 |
| 23 | 017031 | SCREW-ZINC PLT, HEX LAG 3/8 x 2 | 4 |
| 24 | 017178 | BOLT-HEX-PLT, 1/4-20 x 1 GR5 | 2 |

| ITEM | NAME | DESCRIPTION | QTY |
|------|---------|--|-----|
| 25 | 017205 | BOLT-HEX-PLT, 1/4-20 x 2-1/2 GR5 | 4 |
| 26 | 017293 | BOLT-HEX-PLT, 3/8-16 x 1-1/4 GR5 | 2 |
| 27 | 017459 | BOLT-HEX-PLT, 1/2-13 x 1-1/2 GR5 | 8 |
| 28 | 029308 | HOSE-3, SUCTION 150 PSI (BLACK) | 1 |
| 29 | 046001 | CLAMP-GALV, 1-5/16 - 2-1/4 HOSE | 2 |
| 30 | 046013 | CLAMP-GALV, 2 - 3 HOSE | 4 |
| 31 | 116926 | STRAINER-PLASTIC, 3" SUCTION | 1 |
| 32 | 193631 | HOSE-1 1/4, CLEAR EXTRUDED (WIRE REINFORCED) | 1 |
| 33 | 711226 | MOTOR-ELEC, 30 HP 1800 RPM 286T ODP (230/460) | 1 |
| 34 | 940006 | BELT, B-53 | 3 |
| 35 | 999001 | NIPPLE-PVC, 3" NPT x 10" | 1 |
| 36 | 999014 | SHEAVE, 5.8 3B | 1 |
| 37 | 999015 | SHEAVE, 9.4 3B | 1 |
| 38 | 999022 | TAPERLOCK, 1-7/8 (2517) | 1 |
| 39 | 999024 | TAPERLOCK, 2 (2517) | 1 |
| 40 | 990067A | NIPPLE-PVC, 1 x 24 SCH80 | 1 |
| 41 | 001385 | REDUCER-PLT, 3/8 x 1/4 NPT | 1 |
| 42 | 001175 | STREET ELL-PLT, 1/4 NPT | 1 |
| 43 | 070295 | GAUGE, 1/4 BACK MOUNT 0-2000PSI OIL FILLED | 1 |
| 44 | 990067B | TANK-PLASTIC, 36"L x 24"W x 18"H (67 GAL) | 1 |
| 45 | 200010 | PS-LID-PLASTIC, (D35) 6mm x 27-3/4 x 40 (BLACK) | 1 |
| 46 | 001713 | BARB-PLT, 1-1/4 BARB x 1 NPT | 1 |
| 47 | 001327 | ADAPTER-PLT, 1-1/4" NPT SWIVEL | 1 |



Wanner High Pressure Pumping Station
Standard Car Wash
PECO Equipment
REPLACEMENT PARTS
Car Wash
SYSTEMS
Car Wash
EQUIPMENT



THE
SOFT'N'FOAMY
SYSTEM

WASHES
up to **60**
CARS PER HOUR

SNF 50

SNF 90

WASHES
up to **100**
CARS PER HOUR

FleetWash
Xpress
By **PECO**

WASHES
up to **45**
CARS PER HOUR

FWX25

FWX35

FWX25TB

FWX35TB

THE **SOFT'N'FOAMY** SYSTEM



WASHES
up to **130**
CARS PER HOUR

SNF 100

WASHES
up to **150**
CARS PER HOUR

SNF 120

WASHES
up to **180**
CARS PER HOUR

SNF 150

Standard Car Wash
PARTS & SUPPLIES

PECO Equipment
REPLACEMENT PARTS

Carwash Systems
Car Wash SYSTEMS

Car Wash
EQUIPMENT

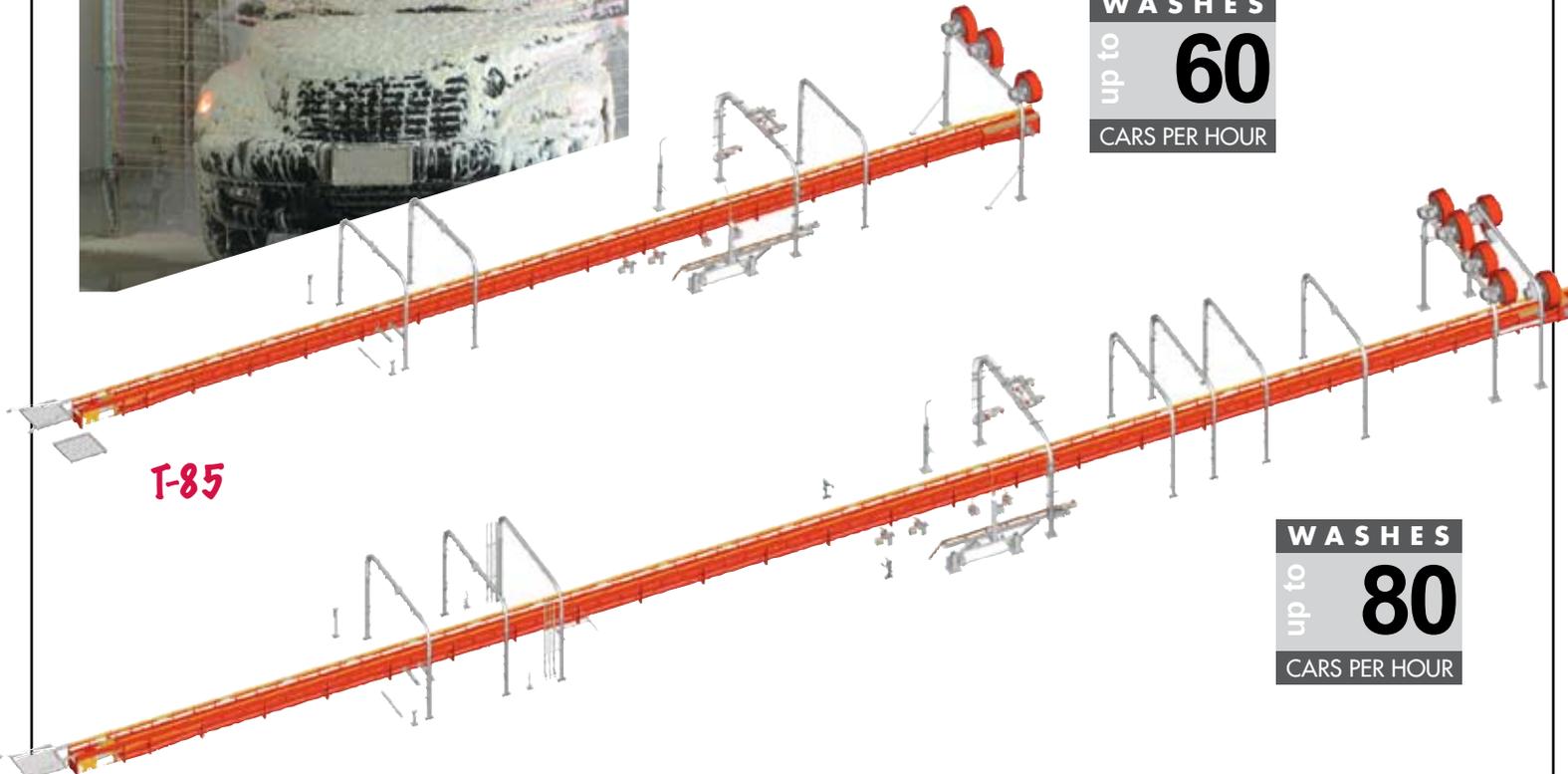


TRIDENT
HIGH PRESSURE WASH SYSTEMS

**INTRODUCING A NEW
STANDARD FOR TOUCH
FREE CAR WASH SYSTEMS**



WASHES
up to **60**
CARS PER HOUR



T-85

WASHES
up to **80**
CARS PER HOUR

T-120



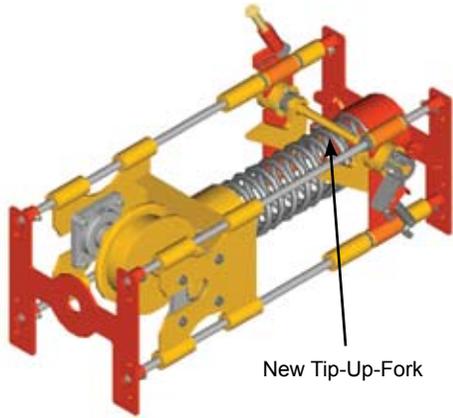
PECO

CARWASH SYSTEMS



CARWASH EQUIPMENT

ENTRANCE TAKE-UP



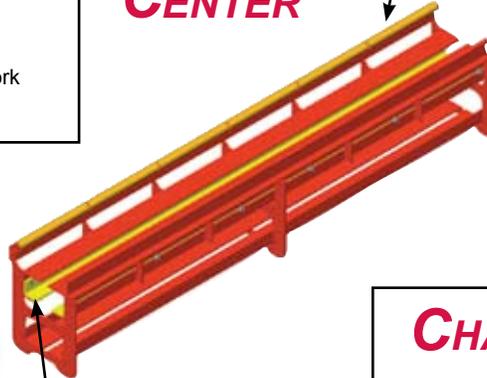
New Tip-Up-Fork

ULTIMATE EXIT



ULTIMATE CENTER

Plastic Roller Guide

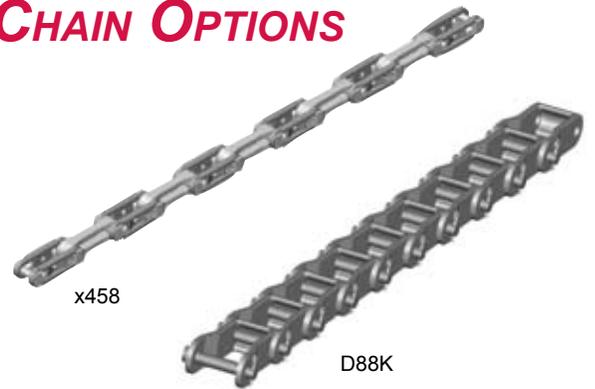


ULTIMATE ENTRANCE

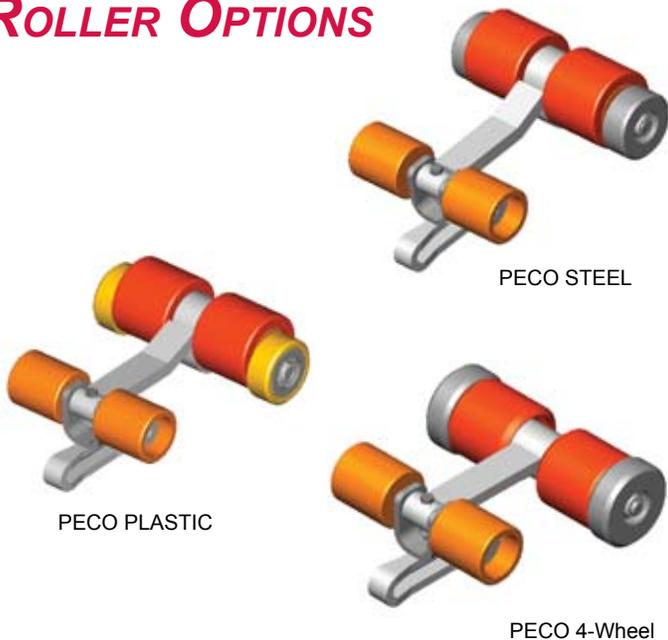
Plastic Center Tier



CHAIN OPTIONS



ROLLER OPTIONS



PECO STEEL

PECO PLASTIC

PECO 4-Wheel

CORRELATORS



P-3SS - 990081
or
P-3G - 990087

CORRELATORS ARE AVAILABLE IN STAINLESS STEEL OR GALVANIZED

ULTIMATE Conveyor 2.0



- ▶ **JAM-FREE** design:
No more roller jams with our new JAM-FREE Tip Up Fork assembly.
- ▶ **LONGER** life:
Our patented components have been designed to increase conveyor, chain and roller life.
- ▶ **WIDEST** track:
The widest track and lowest profile in the industry. Accommodates larger tires & fits in pits 19" or deeper.
- ▶ **VERSATILE** construction:
Multiple chain choices - D88K (pictured) or X458. Fits 40' - 300' tunnels and longer.



NEW!
JAM-FREE
tip up fork

Ultimate Conveyor

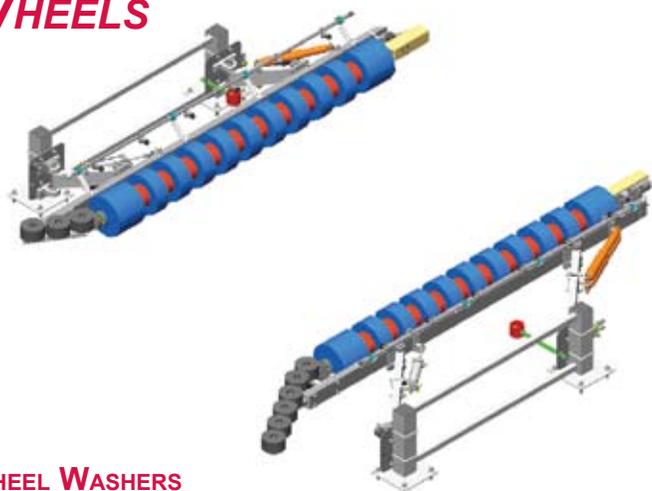
Standard Car Wash
PARTS & SUPPLIES

PECO Equipment
REPLACEMENT PARTS

Car Wash
SYSTEMS

Car Wash
EQUIPMENT

WHEELS



WHEEL WASHERS

| Model / Part No | Description |
|-----------------|-------------------------------------|
| WW960S / 596008 | SS PECO 96" Wheel Washer w/retracts |
| WW960g / 997962 | GA PECO 96" Wheel Washer w/retracts |

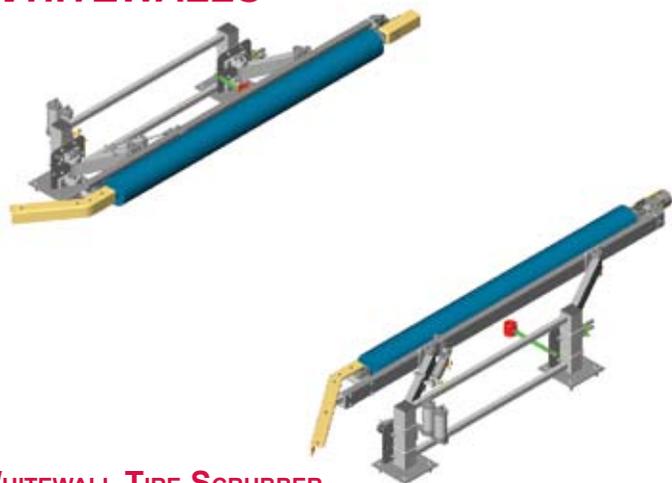
BLACKWALLS



TIRE BRITE

| Model / Part No | Description |
|------------------|-------------------------------------|
| TBA960S / 596004 | SS 96" Tire Brite Applicator System |

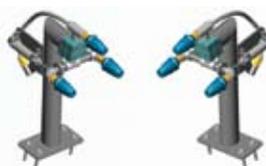
WHITEWALLS



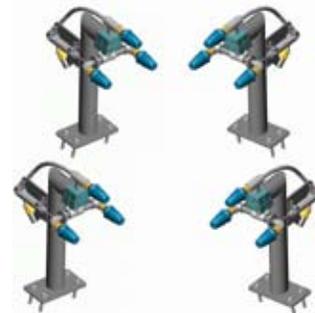
WHITEWALL TIRE SCRUBBER

| Model / Part No | Description |
|-----------------|---------------------------------|
| TW960S / 596001 | SS 96" Tire Scrubber w.retracts |

WHEEL TRACKER SYSTEM



600806 - 20gpm @ 800psi



990702 - 38gpm @ 1100psi

WHEEL CLEANING SYSTEM

| Model / Part No | Description |
|-----------------|-----------------------------|
| PE806 / 600806 | Single Wheel Tracker Unit |
| PE700 / 990700 | Single Wheel Tracker System |
| PE702 / 990702 | Double Tracker System |
| PE703 / 990703 | Triple Tracking System |

For Pricing, Call PECO or Your Local Dealer

Find Your Dealer at

www.pecocarwash.com



STAGE 1

FWAM FOAMY WHEEL APPLICATOR



STAGE 2

WW960 FRICTION WHEEL WASHER



STAGE 3

PE806 HIGH PRESSURE WHEEL TRACKER



STAGE 4

TBA960 TIRE BRITE APPLICATOR

ULTIMATE

Wheel Cleaning System

Available as a complete system or individual components. This advanced four stage system combines pre-soak, high pressure and friction with one of the best tire bright applicators in the industry. The result is perfectly clean tires and rims every wash.

The Ultimate Wheel Cleaning System will increase your extra service sales while greatly reducing labor cost!



244 Rex Boulevard
Auburn Hills, MI 48326
800-448-3946 • 248-299-5800
www.pecocarwash.com

The most complete four stage wheel cleaning package ever offered!

Standard Car Wash
PARTS & SUPPLIES

PECO Equipment
REPLACEMENT PARTS

Car Wash
SYSTEMS

Car Wash
EQUIPMENT

Tire & Wheel Cleaning



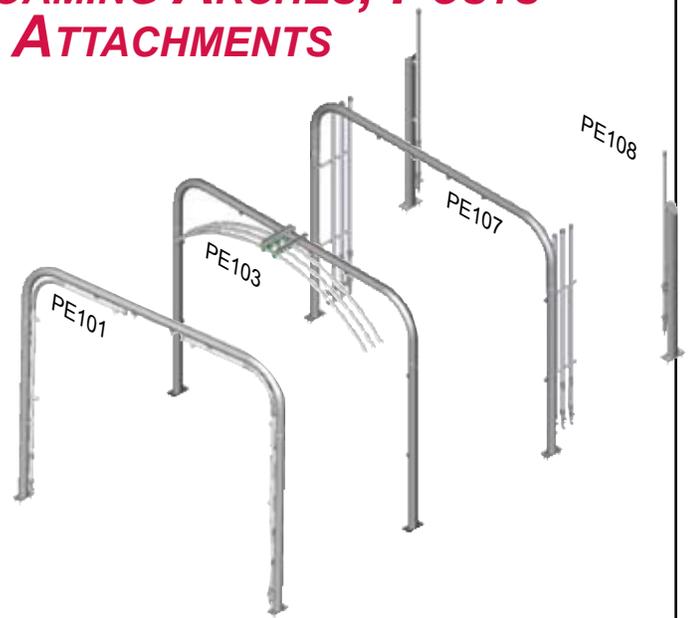
LOW VOLUME/LOW PRESSURE ARCHES



LOW VOLUME/LOW PRESSURE ARCHES

| Model / Part No | Description |
|-----------------|---|
| PE105 / 990504 | 9 Nozzle Stainless Steel w/PVC Manifold |
| AR105a / 997105 | 9 Nozzle Painted Aluminum w/PVC Manifold |
| PE111 / 990509 | 11 Nozzle Stainless Steel w/PVC Manifold |
| PE111a / 997111 | 11 Nozzle Painted Aluminum w/PVC Manifold |
| PE106 / 990017 | 9 Nozzle Stainless Steel w/S.S. Manifold |
| PE191 / 990016 | 9 Nozzle Stainless Steel w/S.S. Flipping Manifold |

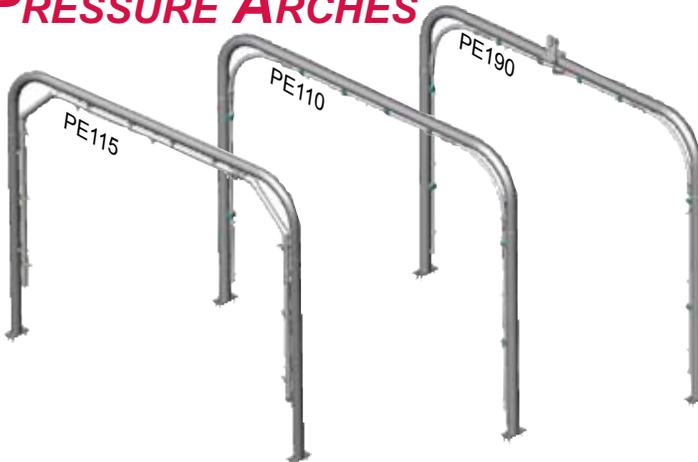
FOAMING ARCHES, POSTS & ATTACHMENTS



FOAMING ARCHES, POSTS & ATTACHMENTS

| Model / Part No | Description |
|-----------------|--|
| PE101 / 990057 | Stainless Steel Deluxe Display Foam Arch |
| PE103 / 990015 | Stainless Steel Tri-Color Foam Arch w/3 Top Foaming Tubes |
| PE107 / 990018 | Stainless Steel Tri-Color Foam Arch w/6 side foaming tubes |
| PE108 / 990043 | Foamer Tubes with Stainless Steel Posts |

HIGH VOLUME/HIGH PRESSURE ARCHES

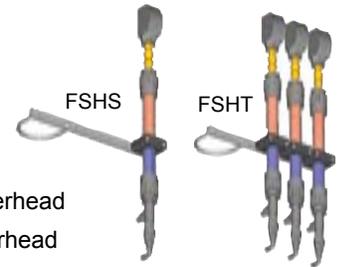


HIGH VOLUME/HIGH PRESSURE ARCHES

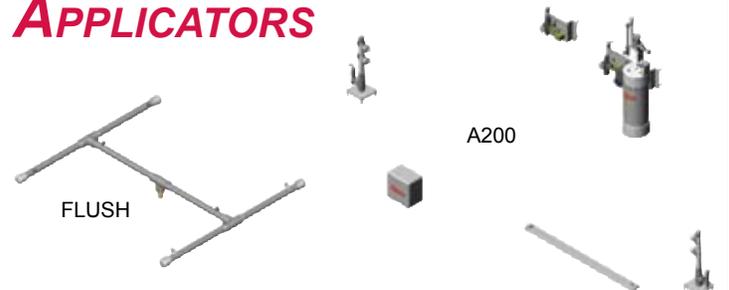
| Model / Part No | Description |
|-----------------|--|
| PE115 / 990510 | 9 Nozzle Stainless Steel w/PVC Manifold |
| PE110 / 990508 | 11 Nozzle Stainless Steel w/S.S. Manifold High Pressure |
| PE190 / 990010 | 11 Nozzle Stainless Steel w/S.S. Manifold High Pressure - Flipping |

FOAMING SHOWERHEADS

| | |
|---------------|-------------------|
| FSHS / 990295 | Single Showerhead |
| FSHT / 990297 | Triple Showerhead |

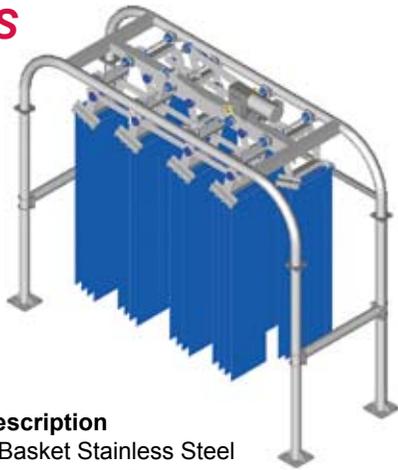


APPLICATORS



| Model / Part No | Description |
|-----------------|---------------------------------|
| FLUSH / 990021 | Undercarriage Flush Manifold |
| A200 / 990054 | Foaming Wheel Applicator System |

8 BASKETS



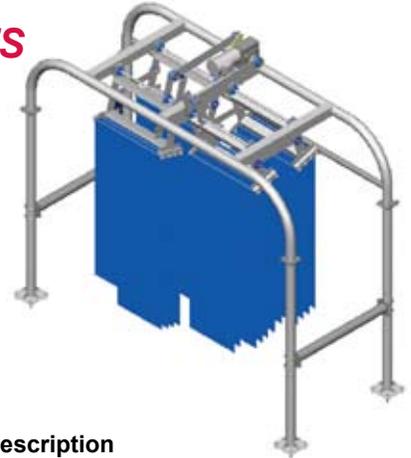
Model / Part No
MC08 / 530500

Description
8-Basket Stainless Steel Wash Across Curtain

MC08g / 997004

8-Basket Galvanized Wash Across Curtain

4 BASKETS



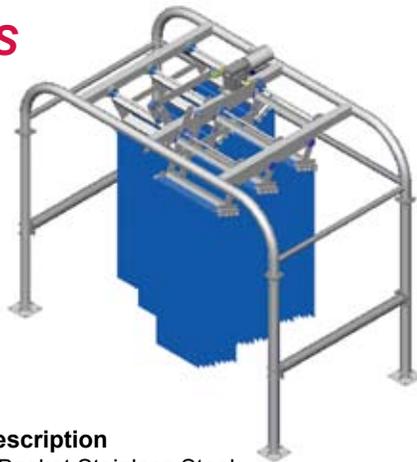
Model / Part No
MC04 / 540560

Description
4-Basket Stainless Steel Mini Wash Across Curtain

MC04g / 997008

4-Basket Galvanized Mini Wash Across Curtain

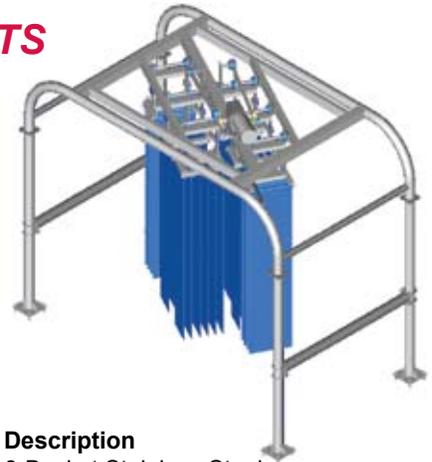
6 BASKETS



Model / Part No
MC06 / 540500

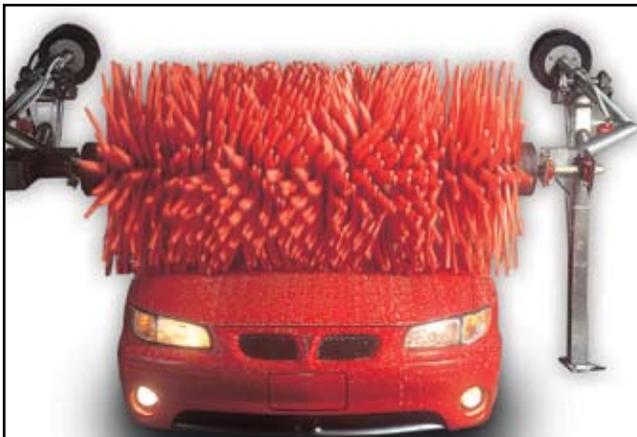
Description
6-Basket Stainless Steel Wash Across Curtain

6 BASKETS



Model / Part No
MC35 / 550500

Description
6-Basket Stainless Steel Wash-A-Diagonal Curtain



TOP BRUSH



Model / Part No
PE383 / 990383

Description
Top Brush - Stainless Steel

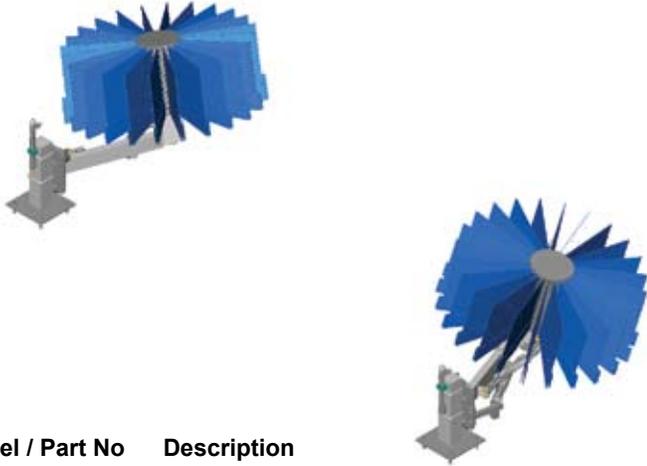
Standard Car Wash
PARTS & SUPPLIES

PECO Equipment
REPLACEMENT PARTS

Car Wash
SYSTEMS

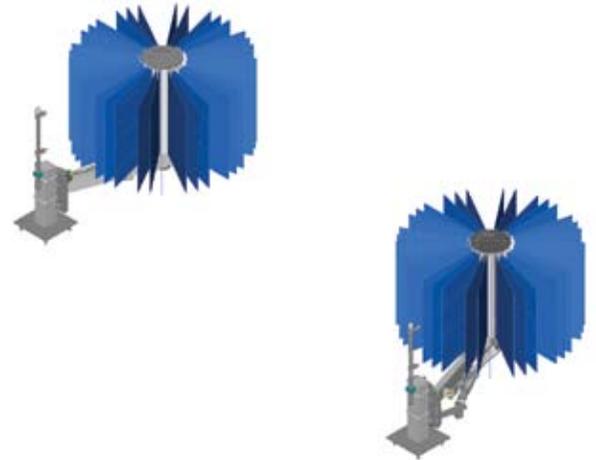
Top Cleaning
Car Wash
EQUIPMENT

18" ANGLE CLEANING



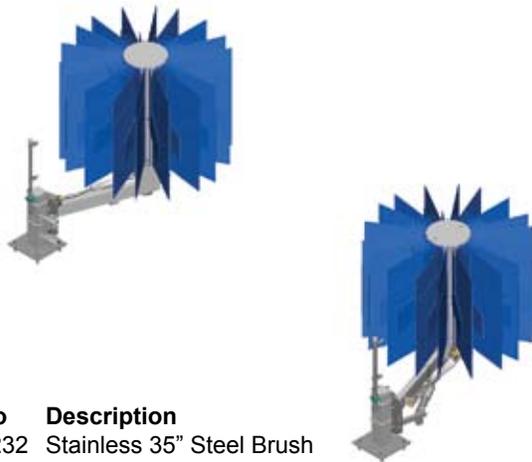
| Model / Part No | Description |
|------------------|---------------------------|
| PE118ss / 990230 | Stainless Steel 18" Brush |
| PE118g / 990210 | Galvanized 18" Brush |

28" SIDE CLEANING



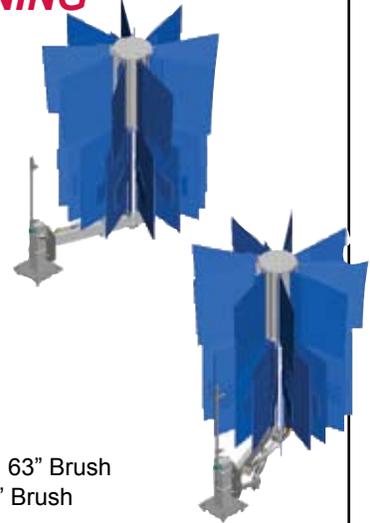
| Model / Part No | Description |
|------------------|---------------------------|
| PE128ss / 990231 | Stainless Steel 35" Brush |

35" SIDE CLEANING



| Model / Part No | Description |
|------------------|---------------------------|
| PE135ss / 990232 | Stainless 35" Steel Brush |

63" SIDE CLEANING



| Model / Part No | Description |
|-----------------|---------------------------|
| PE163s / 990233 | Stainless Steel 63" Brush |
| PE163g / 990076 | Galvanized 63" Brush |

Above Units are Available with

SOFT FLEX[®] FOAM[™]

OR

EVER CLEAN[™]
soft cloth

50" FRONT TO SIDE CLEANING



| Model / Part No | Description |
|-----------------|--|
| PE250 / 990250 | Stainless Steel 50" Front to Side Washer |

SIDEWASHER



FOR DECADES
the leading Rocker Brush in the industry

For nearly 20 years, PECO has been leading the industry in side washing systems. Our innovative tilt design places brushes at the optimal angle for rocker and side cleaning. The speed and brush material have been perfectly tuned to remove heavy materials safely, quickly and effectively.

PECO's Advanced Side Washing Systems will reduce prep time while leaving side and rocker areas cleaner than ever!



Side Cleaning

Standard Car Wash
PARTS & SUPPLIES

PECO Equipment
REPLACEMENT PARTS

Car Wash
SYSTEMS

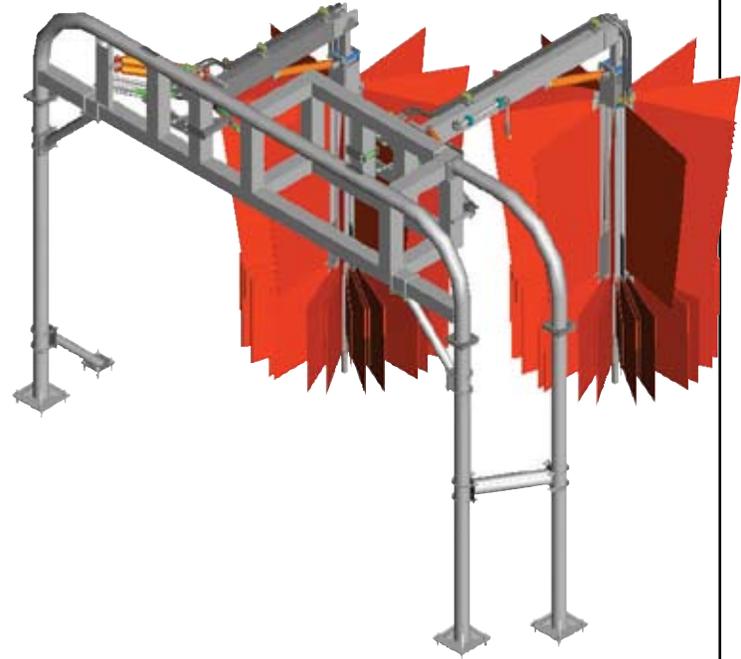
Car Wash
EQUIPMENT

WRAPAROUND FRONT STRAIGHT



| Model / Part No | Description |
|-------------------|---|
| WA720FSs / 997206 | Stainless Steel Wraparound Front Straight |
| WA720FSg / 997205 | Galvanized Wraparound Front Straight |

WRAPAROUND REAR OFFSET



| Model / Part No | Description |
|-------------------|--|
| WA720R0s / 997201 | Stainless Steel Wraparound Rear Offset |
| WA720R0g / 997200 | Galvanized Wraparound Rear Offset |

Above Units are Available with

SOFT FLEX[®] FOAM[™]
OR

EVER CLEAN[™]
soft cloth

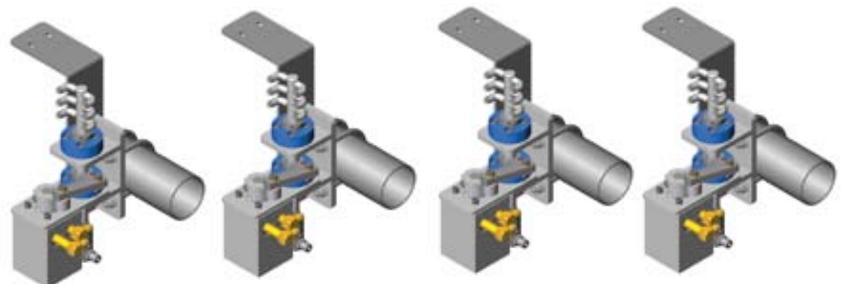
CALL PECO!!!!

FOR YOUR NEXT REPLACEMENT **FOAM** ORDER

800.448.3946

US ONLY

FRONT/REAR HIGH PRESSURE CLEANING



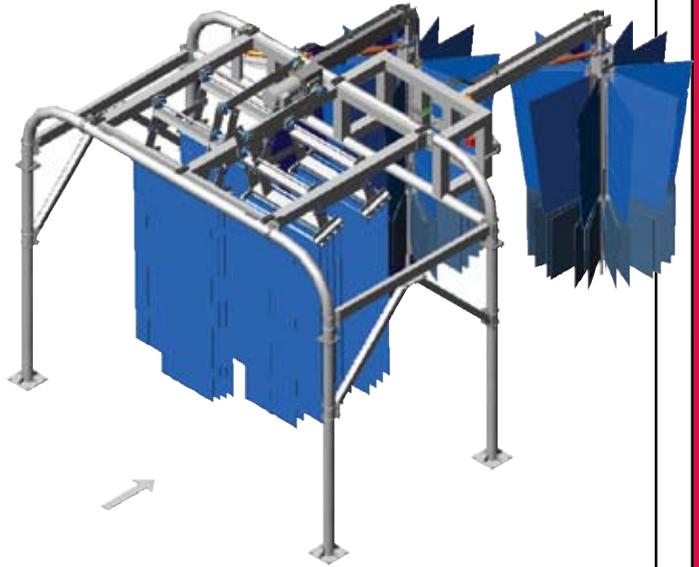
| Model / Part No | Description |
|-----------------|--|
| PE200 / | Bumper Bright System Features 20 gpm @ 800psi |

WRAPAROUND - MITTING COMBO



| Model / Part No | Description |
|-------------------|--------------------------------------|
| MWC1410s / 997146 | Stainless Steel Wraparound - Mitting |
| MWC1410g / 997141 | Galvanized Wraparound - Mitting |

MITTING CURTAIN - WRAPAROUND COMBO



| Model / Part No | Description |
|-------------------|--------------------------------------|
| MWC1402s / 997145 | Stainless Steel Mitting - Wraparound |
| MWC1402g / 997140 | Galvanized Mitting - Wraparound |

WRAPAROUND - MITTING CURTAIN - WRAPAROUND



| Model / Part No | Description |
|-------------------|---|
| MWC2412s / 997242 | Stainless Steel Wraparound - Mitting - Wraparound |
| MWC2412g / 997241 | Galvanized Wraparound - Mitting - Wraparound |

All Combo Units Available in Stainless Steel or Galvanized

Front & Rear Cleaning

Standard Car Wash
PARTS & SUPPLIES

PECO Equipment
REPLACEMENT PARTS

Car Wash
SYSTEMS

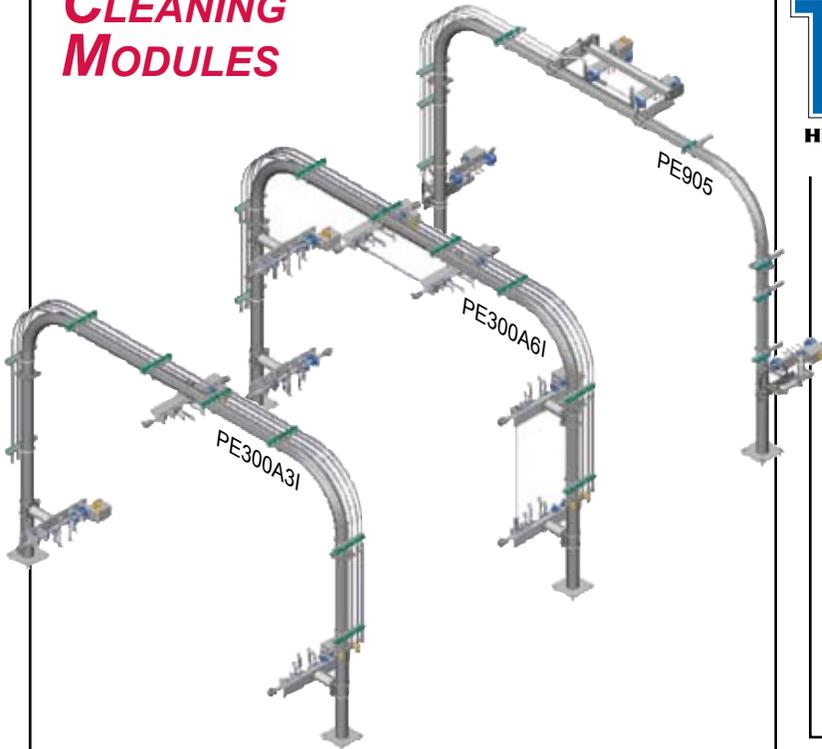
Cleaning Combos

Car Wash
EQUIPMENT



TRIDENT
HIGH PRESSURE WASH SYSTEMS

TRIDENT HIGH PRESSURE CLEANING MODULES

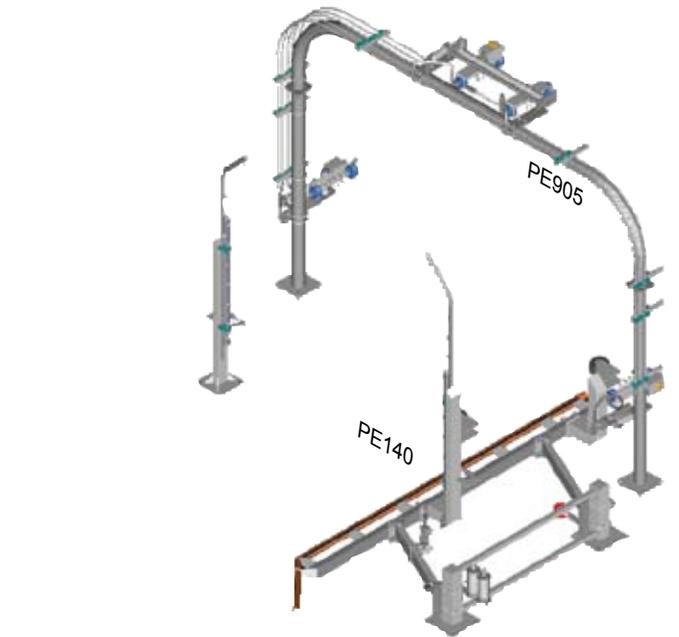


| Model / Part No | Description |
|-------------------|--|
| PE300A3I / 600362 | Stainless Steel Arch w/ 3-PE300MI |
| PE300A6I / 600366 | Stainless Steel Arch w/ 3-PE300I & 3-PE300I2 |
| PE905 / 990905 | Stainless Steel H.P. Flip Arch 4 Manifolds |

HIGH PRESSURE CLEANING

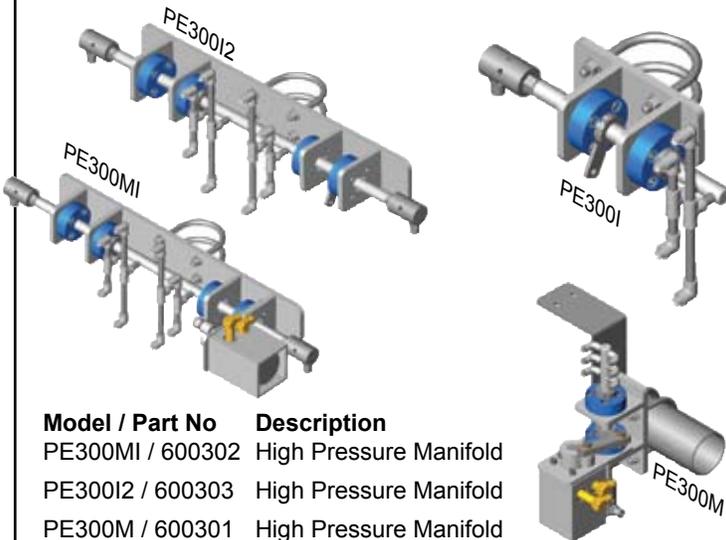
| Model / Part No | Description |
|-----------------|------------------------------------|
| PE140 / 990255 | Stainless Steel H.P. Side Follower |

HIGH PRESSURE COMBO



| Model / Part No | Description |
|---------------------|--|
| PE140 / 990255 | Stainless Steel H.P. Side Follower |
| PE905 / 990905 | Stainless Steel H.P. Flip Arch 4 Manifolds |
| PE905/140M / 990906 | Stainless Steel Combo (PE140/PE905) |

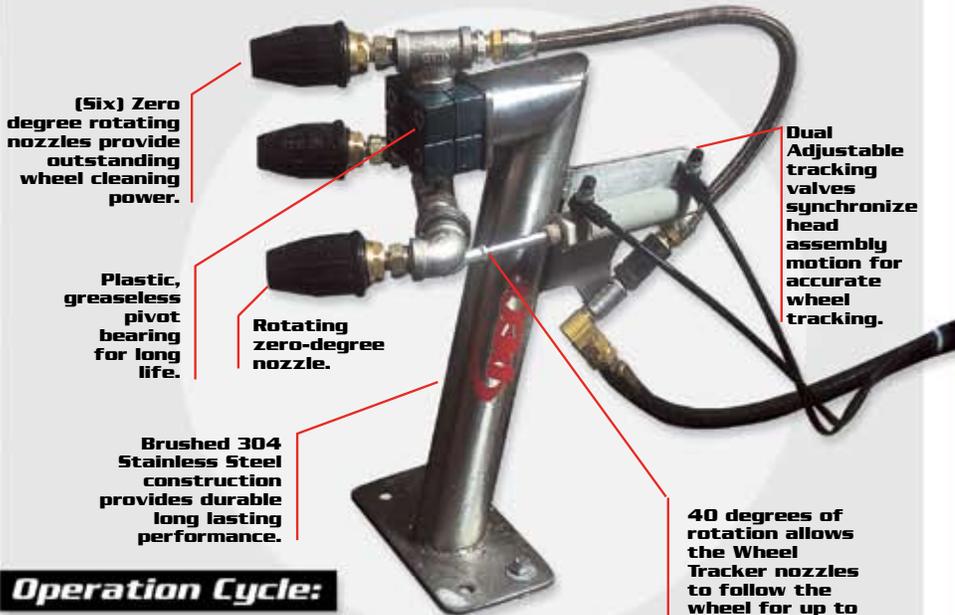
HIGH PRESSURE MANIFOLDS



| Model / Part No | Description |
|------------------|------------------------|
| PE300MI / 600302 | High Pressure Manifold |
| PE300I2 / 600303 | High Pressure Manifold |
| PE300M / 600301 | High Pressure Manifold |
| PE300I / 600304 | High Pressure Manifold |

PE806 WHEEL TRACKER SYSTEM

The PE806 Wheel Tracker is designed for superior cleaning coverage of the hubcap wheels. This high pressure water spray (capable of 18 gpm @ 1000 psi) is directed through 6 rotating zero degree nozzles; three per side. The unit has an independent head assembly, which follows the tire as it passes. These heads are activated through one 4-way valve assembly. Each head assembly will direct the high pressure oscillating nozzles at three different angles, to insure maximum coverage of the hubcap wheel.



Operation Cycle:

The Wheel Tracker blasts the front bumper of the vehicle and then pivots to follow the front wheel, returns to its starting position to blast the rocker panel, and then pivots again to follow the rear tire.



PE700

Single Wheel Tracker System

- Tunnel space: 2'-6"
- Computer Outputs: 2
- Electrical:
 - 3-Phase: 15 H.P. 208-230/460vac @ 42-39/19.6amps
 - 1-Phase: 24vac or 120vac
- Air Flow: .5 CFM @ 50 PSI
- Water Flow: 3/4" NPT @ 40psi



PE702

Double Wheel Tracker System

- Tunnel space: 5'-0"
- Computer Outputs: 3
- Electrical:
 - 3-Phase: 30 H.P. 208-230/460vac @ 88-80/40amps
 - 1-Phase: 24vac or 120vac
- Air Flow: .5 CFM @ 50 PSI
- Water Flow: 1" NPT @ 40psi



PE703

Triple Wheel Tracker System

- Tunnel space: 7'-6"
- Computer Outputs: 4
- Electrical:
 - 3-Phase: 30 H.P. 208-230/460vac @ 88-80/40amps
 - 1-Phase: 24vac or 120vac
- Air Flow: .5 CFM @ 50 PSI
- Water Flow: 1" NPT @ 40psi

PE806 Wheel Tracker Set



Tracking Control Box & Treadle



Optional

Tracking 4-Way Valve Assembly



Optional

Pumping Station

- 990060 - 20gpm
- 990067 - 38gpm

Optional



Three Standard Systems to Choose From.

SPECS

Call: 800.448.3946



Standard Car Wash
PARTS & SUPPLIES

PECO Equipment
REPLACEMENT PARTS

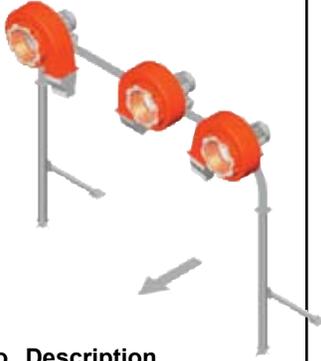
High Pressure

Car Wash
SYSTEMS

Car Wash
EQUIPMENT



30HP OR 45HP



| Model / Part No | Description |
|-----------------|----------------------|
| D45s / 997052 | 45HP Stainless Steel |
| D45g / 997053 | 45HP Galvanized |

40HP OR 60HP



| Model | Description |
|---------------|----------------------|
| D60s / 997066 | 60HP Stainless Steel |
| D60g / 997067 | 60HP Galvanized |

40HP OR 60HP



| Model / Part No | Description |
|-----------------|----------------------|
| D60-2s / 997060 | 60HP Stainless Steel |
| D60-2g / 997061 | 60HP Galvanized |

50HP OR 75HP

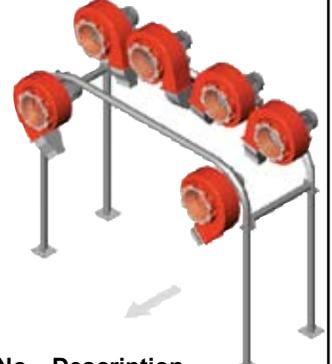


| Model / Part No | Description |
|-----------------|----------------------|
| D75s / 997064 | 75HP Stainless Steel |
| D75g / 997065 | 75HP Galvanized |

**PRODUCERS
AVAILABLE IN
10HP OR 15HP**



60HP OR 90HP



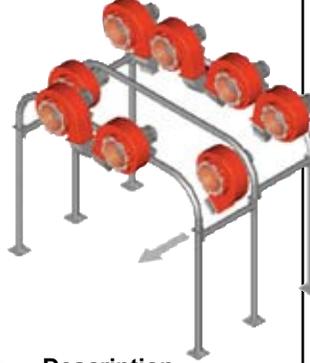
| Model / Part No | Description |
|-----------------|----------------------|
| D90s / 997068 | 90HP Stainless Steel |
| D90g / 997069 | 90HP Galvanized |

70HP OR 105HP



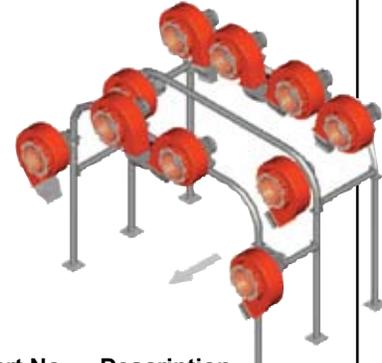
| Model / Part No | Description |
|-----------------|-----------------------|
| D105s / 997072 | 105HP Stainless Steel |
| D105g / 997073 | 105HP Galvanized |

80HP OR 120HP



| Model / Part No | Description |
|-----------------|-----------------------|
| D120s / 997076 | 120HP Stainless Steel |
| D120g / 997077 | 120HP Galvanized |

100HP OR 150HP



| Model / Part No | Description |
|-----------------|-----------------------|
| D150s / 997080 | 150HP Stainless Steel |
| D150g / 997091 | 150HP Galvanized |



Heavy Duty Cast Iron Electric Motor



Hot Dipped Galvanized Steel Impeller



Straight Nozzle Attachment



High Impact, Plastic Housing for durability. Corrosion resistances and sound reduction



Angled Nozzle Attachment



Flip Nozzle Attachment



TOUCH-FREE DRYERS

Dryers

Standard Car Wash
PARTS & SUPPLIES

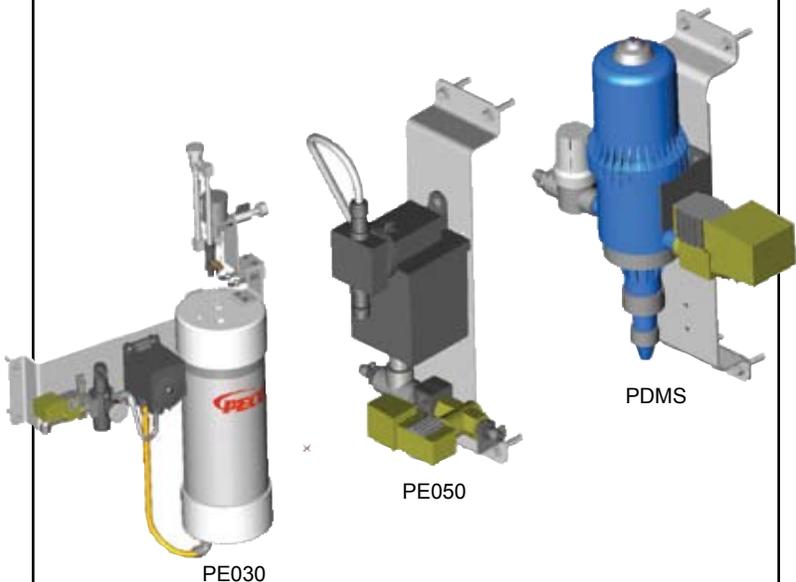
PECO Equipment
REPLACEMENT PARTS

Car Wash
SYSTEMS

Car Wash
EQUIPMENT

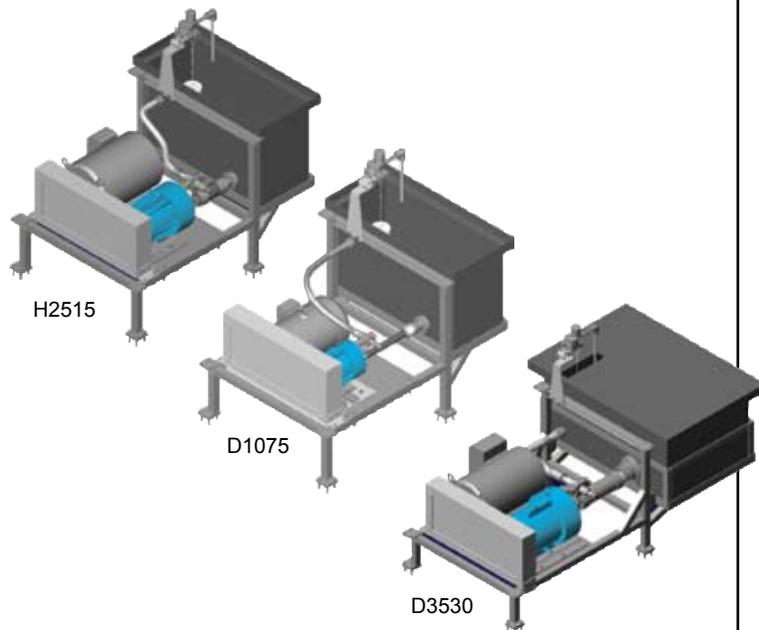


SOLUTION METERING PUMPS



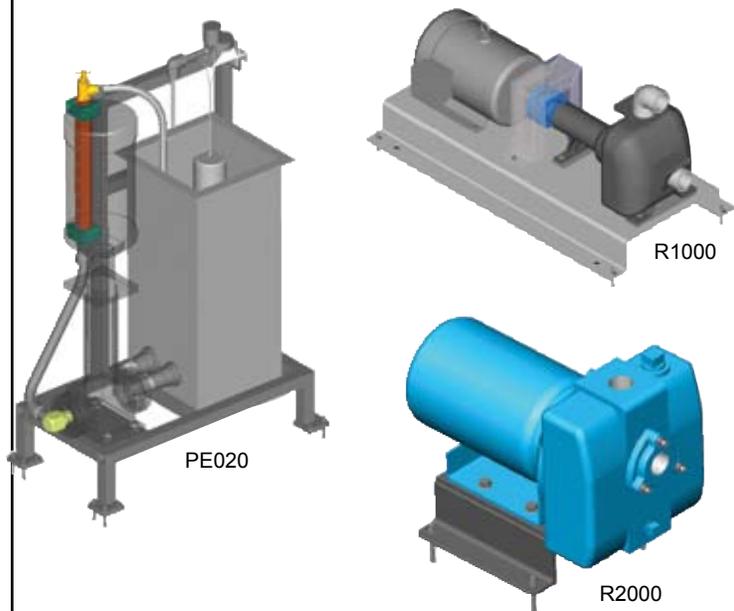
| Model / Part No | Description |
|-----------------|------------------------------------|
| PE030 / 990028 | Air Driven Metering Pump 5gm |
| PE050 / 990030 | Electric Driven Metering Pump 5gpm |
| PDMS / 990032 | Water Driven Metering Pump 11gpm |

DIAPHRAGM PUMPS



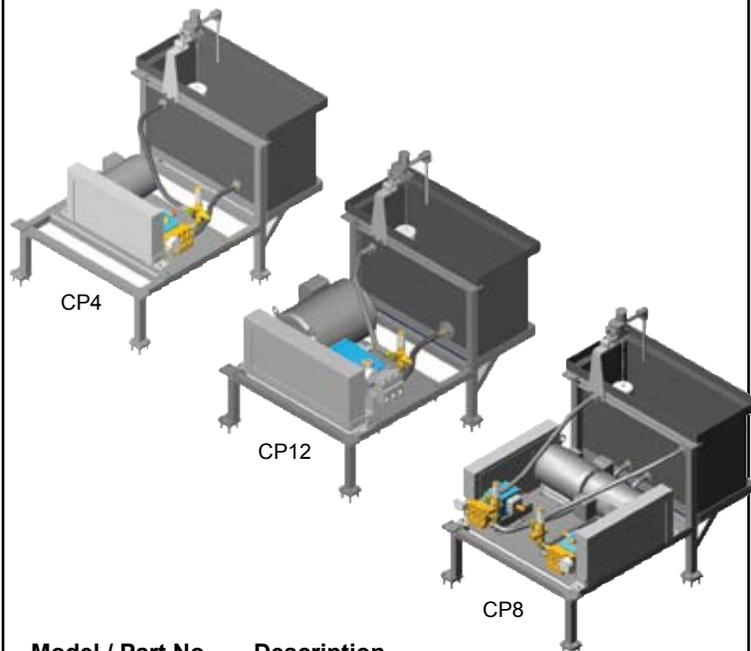
| Model / Part No | Description |
|-----------------|--------------------------------|
| H2515 / 990060 | 20gpm @ 800psi Diaphragm Pump |
| D1075 / 990066 | 9gpm @ 900psi Diaphragm Pump |
| D3530 / 990067 | 38gpm @ 1100psi Diaphragm Pump |

CENTRIFUGAL PUMP



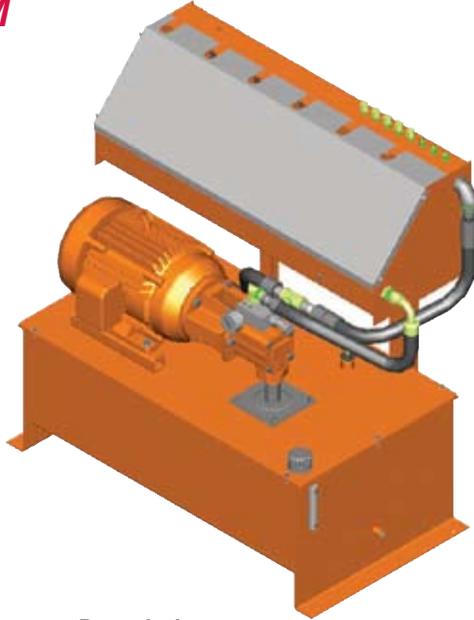
| Model / Part No | Description |
|-----------------|---------------------------------|
| PE020 / 990027 | 12gpm @ 250psi Centrifugal Pump |
| R1000 / 990075 | 180gpm @ 40psi Centrifugal Pump |
| R2000 / 990077 | 40gpm @ 40psi Centrifugal Pump |

PLUNGER PUMP



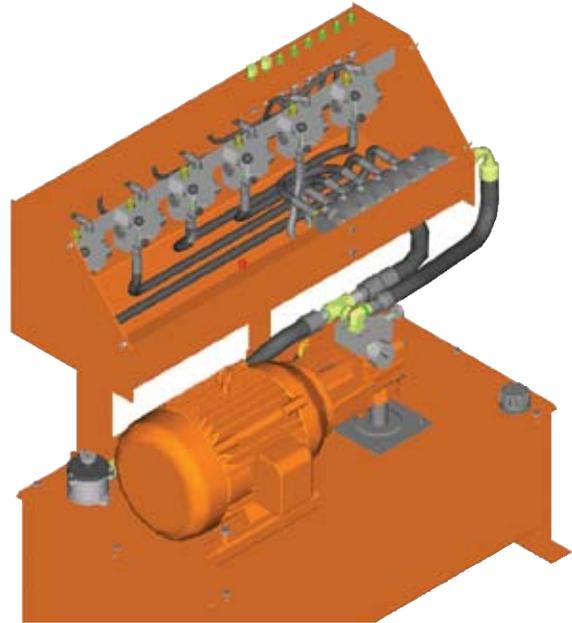
| Model / Part No | Description |
|-----------------|-----------------------------------|
| CP4 / 990074 | 4gpm @ 1500psi Plunger Pump |
| CP12 / 990072 | 12gpm @ 1500psi Plunger Pump |
| CP8 / 990073 | Dual 4gpm @ 1500psi Plunger Pumps |

HYDRAULIC SUPPLY SYSTEM



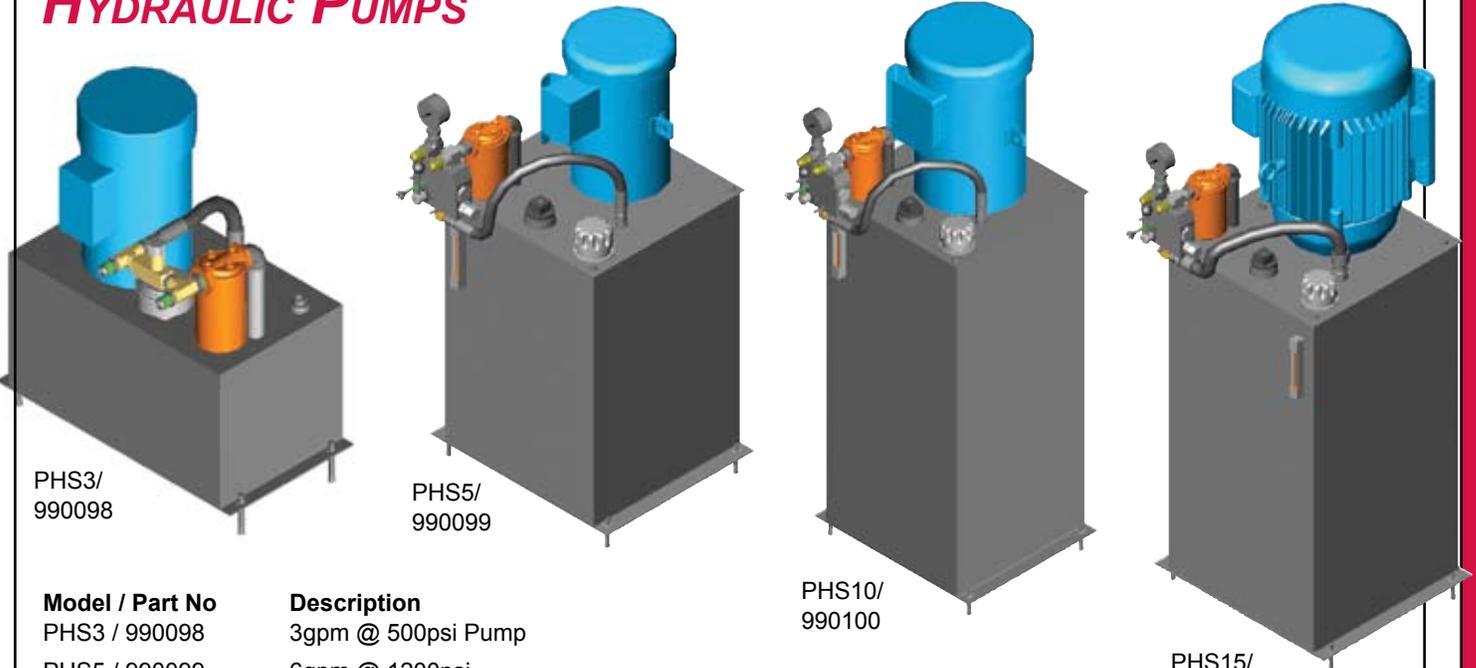
| Model / Part No | Description |
|-------------------|-----------------------------------|
| PHS0-12 / 990101 | 0 gallons - 12 gallons @ 1000psi |
| PHS13-24 / 990102 | 13 gallons - 24 gallons @ 1000psi |
| PHS25-31 / 990103 | 25 gallons - 31 gallons @ 1000psi |

HYDRAULIC BANKS



| Model / Part No | Description |
|-----------------|----------------|
| BANK / 990104 | Hydraulic Bank |

HYDRAULIC PUMPS



PHS3/
990098

PHS5/
990099

PHS10/
990100

PHS15/
990108

| Model / Part No | Description |
|-----------------|--------------------|
| PHS3 / 990098 | 3gpm @ 500psi Pump |
| PHS5 / 990099 | 6gpm @ 1200psi |
| PHS10 / 990100 | 10gpm @ 1250psi |
| PHS15 / 990108 | |

Standard Car Wash
PARTS & SUPPLIES

PECO Equipment
REPLACEMENT PARTS

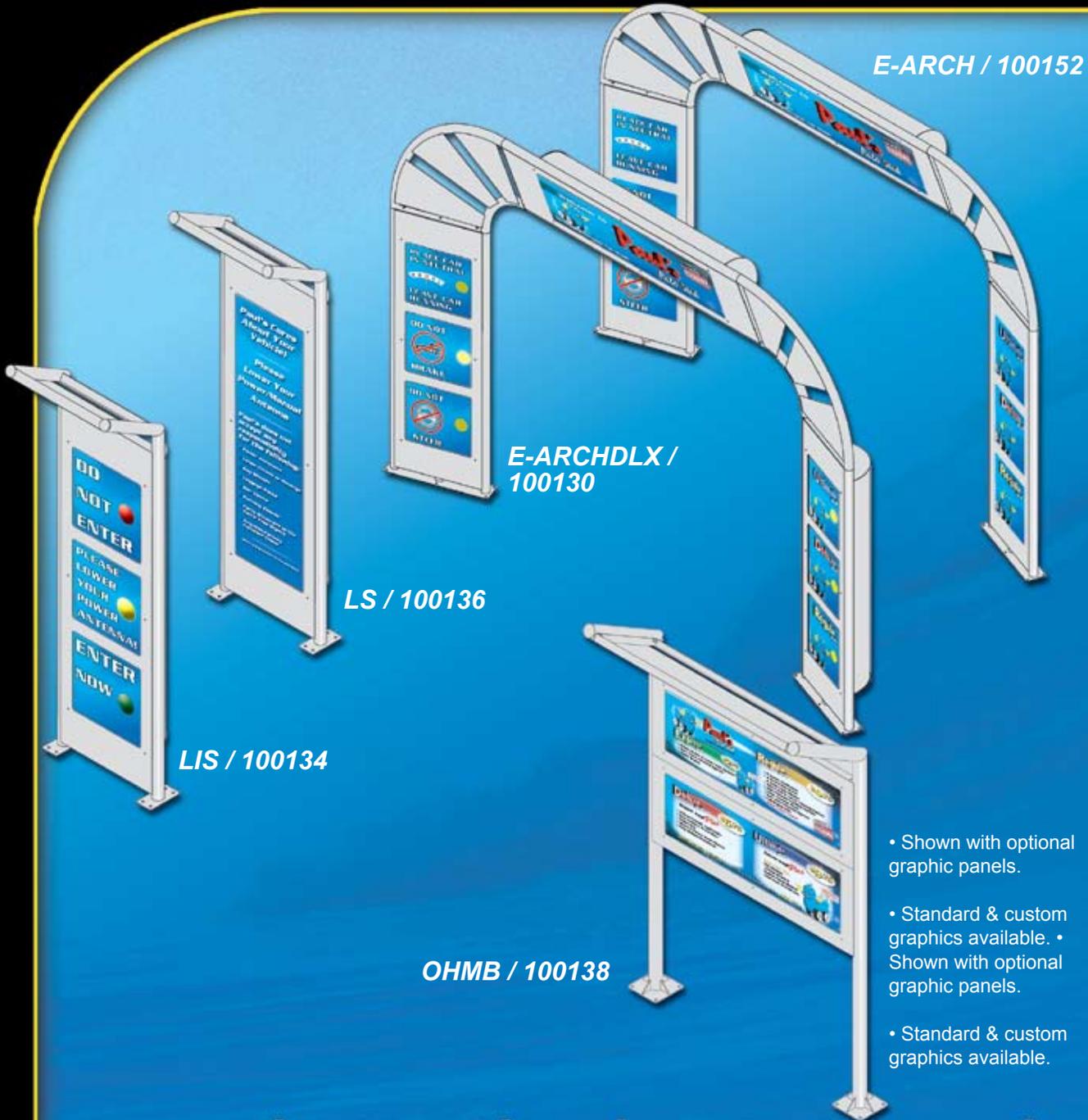
Pumps

Car Wash
SYSTEMS

Car Wash
EQUIPMENT

illuminator
SIGN SERIES

by **PECO**
CARWASH SYSTEMS



- Shown with optional graphic panels.
- Standard & custom graphics available. • Shown with optional graphic panels.
- Standard & custom graphics available.

menu, instructional, entrance arch

PARTS DEPARTMENT

Customer Number: _____

Business Name: _____

Shipping Address: _____

City: _____ State: _____ Zip: _____

Country: _____

Phone #: _____ Fax#: _____

E-mail Address: _____

Contact Name: _____

PURCHASE ORDER P.O. # _____

METHOD OF SHIPPING UPS

- Ground Delivery
- 3rd Day Ground Delivery
- 2nd Day Ground Delivery
- Next Day Air Delivery
- Next Day Saturday Delivery

METHOD OF PAYMENT

- Credit Card - A PECO representative will contact you
- C.O.D. Open Terms - P.O.

FAX YOUR ORDER TO 248-299-9001

| PECO Part No. | Quantity | Description |
|---------------|----------|-------------|
| 1. | | |
| 2. | | |
| 3. | | |
| 4. | | |
| 5. | | |
| 6. | | |
| 7. | | |
| 8. | | |
| 9. | | |
| 10. | | |
| 11. | | |

Print Name: _____ Signature: _____ Date: _____

LIMITED WARRANTY PECO CORPORATION CAR WASH EQUIPMENT PRODUCTS PECO Manufactured Equipment We guarantee to replace or, at our opinion, repair any products or parts thereof, which are found defective in material or workmanship within one (1) year from date of shipment from PECO Corporation. PECO Corporation's obligation with respect to such products or parts shall be limited to replacement or repair, excluding labor, F.O.B. PECO Factory. In no event shall PECO Corporation be liable for consequential or special damages, or for transportation, installation, adjustment or other expenses which may arise in connection with such products or parts. This warranty does not cover damage caused by negligence of operator. THIS WARRANTY IS EXPRESSLY MADE IN LIEU OF ANY AND ALL OTHER WARRANTIES EXPRESS OR IMPLIED INCLUDING THE WARRANTIES OF MERCHANTABILITY AND FITNESS. NO WAIVER, ALTERATION, OR MODIFICATIONS OF THE FOREGOING CONDITIONS SHALL BE VALID UNLESS MADE IN WRITING AND SIGNED BY AN EXECUTIVE OFFICER OF PECO CORPORATION. PECO CORPORATION NEITHER ASSUMING NOR AUTHORIZING ITS REPRESENTATIVES, DISTRIBUTORS OR ANY OTHER PERSON TO ASSUME FOR IT ANY LIABILITY OTHER THAN THIS WARRANTY IN CONNECTION WITH PECO CORPORATION PRODUCTS.

* This warranty, in its entirety, does not cover maintenance items, including but not limited to lubricating grease and oils, filters, cloth, bearings, rollers, etc., nor any items therein which show signs of neglect, overloading, abuse, accident, inadequate maintenance, or unauthorized altering. Motor, Gearbox, Pump, Electric Components, Valves, Hoses, Fittings, and any other items used in the manufacture of PECO equipment, but not originally manufactured by PECO Corporation are subject to the original manufacturer's warranty. PECO Corporation will provide such assistance and information as is necessary and available to facilitate the user's claim to such other manufacturer. Liability or obligation on the part of PECO Corporation for damages, whether general, special or for negligence and expressly including any incidental and consequential damages is hereby disclaimed. PECO Corporation's obligation to repair or replace shall be the limit of its liability under this warranty and the sole and exclusive right and remedy of the user. PECO Purchased Equipment Any equipment manufactured by any other company but sold by PECO as part of an original order is subject to each manufacturer's warranty in force at the time of sale. (EXAMPLE: Computers, Vacuums, Electrical Panels, Water Heaters, RO Systems, etc....) How To Obtain Warranty Service The purchaser should contact the dealer from whom the product was purchased. Any shipping charges associated with warranty service must be prepaid by the consumer. In all cases, proof of purchase will be required. * Note: All electrical motor warranties to be handled by local motor manufacturer representatives.

PARTS & ORDERING GUIDELINES

Telephone Orders

Please have the following information ready when you call:

- Your Name
- E-Mail Address
- Purchase Order Number
- Quantity
- Payment Information
- Account Name & Number
- Phone Number
- PECO Part Number
- Shipping Method

Shipping Information

All orders that are in stock and placed before 2:00 pm est will be processed for shipment with UPS that day.

Ordering Notes

- Minimum order is \$40.00.
- Customer special orders are to be prepaid and are non-cancelable and non-returnable, shipped FOB Factory.

Warranty

Please refer to the warranty information on page 121 for details

Customer Returns

- PECO Car Wash Systems must approve all returns. The PECO Parts Department will issue a Return Goods Authorization number (known as a RGA No.). One RGA number required for each part return.
- A Return Goods Form and a copy of S.O must accompany all returns. The Return Goods Form will come with the new exchange part or through the mail.
- If PECO deems responsibility for defective item, PECO will credit customers account for replacement item and PECO's outbound freight to the customer (regular ground freight only).
- All returns must be sent freight prepaid.
- There is a 25% restocking fee for all parts returned after 30 days.
- All replacement parts sent out for replacement of possible defective item would be invoiced if defective part is not returned within 21 days.
- Customers should keep a written record of all shipments returned to PECO Car Wash Systems. This will be your only documentation that PECO has received the returned part. Dealer should write down when he shipped the part, the shipping company and the shipping company tracking numbers.

Prices

All prices are subject to change without notice. Please call for the most accurate and up to date pricing.

TERMS OF SALE

All quotations and sales of the goods, products, material, merchandise, equipment, technical data, intellectual property, drawings or services, collectively the "Articles", listed herein are subject to the following terms and conditions and those contained on the face hereof.

1. Taxes. The amount of the present or future sales, revenue, excise, or other taxes applicable to the Articles listed herein shall be added to the purchase price and shall be paid by the Buyer, or in lieu thereof, the Buyer shall provide Seller with a tax exemption certificate acceptable to the taxing authorities.

2. Terms of payment. Payment is to be made in accordance with the terms specified on the face hereof. Unless otherwise specified, payment on any invoice is to be made in full within thirty days of date of invoice. The Seller may charge interest at the rate of 1 1/2% per month on all overdue invoices and Buyer agrees to pay any and all expenses, including reasonable attorneys fees and legal expenses, paid or incurred by Seller in collecting overdue invoices. Time is of the essence in this contract and the acceptance by the Seller or its assignee of any payment hereunder after the same is due shall not constitute a waiver of this or any other provision of the contract or of any default in the event that any payments are not made at the time and in the manner provided, the Seller or the holder of this contract shall have the option (1) to declare the entire purchase price or balance thereof immediately due and payable, or (2) retain any deposit held by Seller as liquidated damages for Breach of Contract, or (3) retake possession of the Articles. As an additional cumulative remedy, if discounts of any nature are given by manufacturer or seller and payments are not made as provided, said discounts are hereby revoked and canceled. Any price increase by manufacturer prior to shipment shall be added to the total purchase price unless otherwise agreed.

3. Delivery & Delays. All prices are F.O.B. Peco Corp., Auburn Hills, Michigan for Articles manufactured by Peco. Method and route of shipment are at Seller's discretion, unless the Buyer supplies explicit instructions. All shipments are insured at the Buyer's expense and made at the Buyer's risk. Deliveries shall be subject to, and contingent upon strikes, labor difficulties, riot, civil unrest, war, fire, delay or defaults of common carriers, failure or curtailment in Seller's usual sources of supply, governmental decrees or orders, or, without limiting the foregoing, any other delays beyond Seller's reasonable control, and Seller shall not be liable for any loss or damage arising there from. Seller shall have the additional right, in the event of the happening of any of the above contingencies, at its option, to cancel this contract or any part thereof without any resulting liability. Shipments made within 20 days after specified date of delivery shall constitute a good delivery. Any delivery not in dispute shall be paid for regardless of other controversies relating to other delivered or undelivered Articles.

4. Conditions. All orders or contracts are accepted with the understanding that they are subject to Seller's ability to obtain the necessary raw materials and component parts, and all orders or contracts as well as shipments applicable thereto are subject to Seller's ability to obtain the necessary raw materials and component parts, and all orders or contracts as well as shipments applicable thereto are subject to Seller's current manufacturing schedules, and government regulations, orders, directives, and restrictions that may be in effect from time to time.

5. Nonconformity. Buyer agrees to inspect all Articles shipped hereunder upon arrival. Claims for defective, Articles, shortages, delays, or failures in shipment or delivery, or for any other cause, shall be deemed waived and released by Buyer, unless made in writing within ten (10) days after arrival of the Articles. Buyer agrees to provide Seller and the manufacturer a reasonable opportunity for inspection after receipt of any claim. Under no circumstances shall Seller be liable for consequential or other damages, losses, or expenses in connection with, or by reason of, the use of, or inability to use, Articles purchased for any purpose.

6. Warranties. The advice of Seller's technical staff is available to the trade, but Seller, not controlling or supervising the subsequent manufacture, fabrication, or installation of its Articles or their use after sale, does not warrant or guarantee such advice. THIS CONTRACT EXPRESSLY WAIVES THE ENTIRE UNDERSTANDING OF THE PARTIES, AND, OTHER THAN ANY STANDARD PRINTED WARRANTY ACCOMPANYING THE ARTICLES, THE SELLER MAKES NO WARRANTIES, EXPRESS OR IMPLIED, INCLUDING WARRANTIES AS TO MERCHANTABILITY OR AS TO THE FITNESS OF THE ARTICLES FOR ANY PARTICULAR USE OR PURPOSE AND SHALL NOT BE LIABLE FOR ANY LOSS OR DAMAGE, DIRECTLY OR INDIRECTLY, ARISING FROM THE USE OF SUCH ARTICLES OR FOR CONSEQUENTIAL DAMAGES.

7. Governing Law. This contract shall be interpreted and construed in accordance with the laws of the state of Michigan.

8. Acceptance. This offer is expressly limited to acceptance on the exact terms contained herein. These terms and conditions shall supersede any provisions, terms, and conditions, contained on any confirmation order, or other writing Buyer may give or receive, and the rights of the parties shall be governed exclusively by the provisions, terms and conditions hereof. Seller makes no representations or warranties concerning this order except such as are expressly contained herein.

9. Cancellation. An order once placed with and accepted by Seller can be canceled only with Seller's consent and upon terms that will indemnify Seller against loss, including lost time, cost of plans and specifications, administration time and technical support.

10. Seller's right of possession. Seller shall have the right, in addition to all others it may possess, at any time, for credit reasons or because of Buyer's default or defaults, to withhold shipments, in whole or in part, and to recall Articles in transit, retake same, and repossess all Articles which may be stored with Seller for Buyer's account, without the necessity of taking any other proceedings, and Buyer consents that all Articles so recalled, retaken or repossessed shall become Seller's absolute property, provided that Buyer is given full credit therefore. The foregoing shall not be construed as limiting, in any manner, any of the rights or remedies available to Seller because of any default of Buyer under the Uniform Commercial Code as in force and effect in the State of Michigan or the State of governing law on the date of the signing of this contract. It is agreed that in any litigation to recover the Articles or purchase price hereunder, the Seller shall be entitled to recover, in addition to any damages, reasonable attorney fees and court costs.

11. Arbitration. Any controversy or claim arising out of or relating to this contract, or the breach thereof, shall be settled by arbitration administered by the American Arbitration Association under its Commercial Arbitration Rules in Oakland County, MI and Judgment on the award rendered by the Arbitrator(s) may be entered in any court having jurisdiction thereof.

12. No modification. Any attempt by Buyer to vary terms of this contract shall be deemed a material alteration. Such alteration shall not be binding on Seller unless the new provisions are accepted in writing, executed by Seller and delivered to the Buyer.

13. Indemnification and insurance. Buyer shall indemnify, defend, and hold harmless Seller against any "indemnity loss" arising out of, connected with or resulting from the Articles, including, without limitation, the selection, delivery, possession, use, operation or return of the Articles. "Indemnity loss" includes, but is not limited to, all claims, actions, suits, proceedings, costs, expenses, damages, liabilities, penalties, fines, actual attorneys' fees, consequential and incidental damages, and loss, damage, liability or claims arising from injury or death to persons or damage to property. Buyer shall maintain such public liability insurance, automobile liability insurance, workers' compensation and employer's liability insurance as will adequately protect Seller against damages, liabilities, claims, losses and expenses. Buyer agrees to submit certificates of insurance evidencing the insurance coverage when requested by Seller.

14. Governmental compliance. Buyer agrees to comply with all federal, state, and local laws, executive order, rules, regulations, and ordinances that may be applicable to Buyer's performance of its obligation under this contract and in the use of the Articles listed herein. 15. Insolvency. Seller may immediately cancel this contract in whole or in part without liability to the Buyer upon the occurrence of any of the following or any other comparable event: Insolvency of the Buyer, filing of voluntary or involuntary petition for bankruptcy, appointment of a receiver or trustee for Seller, execution by Seller of an assignment for the benefit of creditors.

CONSIDER A CHOICE... CONSIDER PECO!

CONSIDER A CHOICE... CONSIDER PECO!

FOR YOUR NEXT CAR WASH PART PURCHASE

4 GREAT WAYS TO PLACE A PARTS ORDER

- CALL YOUR LOCATE DEALER
- 24/7 ON-LINE ORDERING
WWW.PECOCARWASH.COM
- FAX YOUR ORDER 248-299-9001
- PHONE YOUR ORDER 248-299-5800

OVER 5000 Parts in Stock!

www.pecocarwash.com



Standard Car Wash
PARTS & SUPPLIES

PECO Equipment
REPLACEMENT PARTS

Car Wash
SYSTEMS

Car Wash
EQUIPMENT

Over 5000 Parts in Stock!

WWW.PECOCARWASH.COM

24/7

Order any time on the web!
All prices & item availability are subject
to change without notice.



123

WANT? MORE?

CONSIDER A CHOICE
CONSIDER



VISIT US ON THE WEB AT:
WWW.PECOCARWASH.COM

- ACCESS THOUSANDS OF PARTS 24/7
- INSTANT ONLINE ORDERING
- DETAILED PRODUCT INFORMATION
- VIDEOS, PICTURES, SPECIFICATIONS
- EQUIPMENT MANUALS
- DEALER LOCATOR
- AND MORE



CALL TOLL-FREE - 800.448.3946

PECO Car Wash Systems

244 Rex Boulevard
Auburn Hills, MI 48326 USA
Phone: 800.448.3946
Phone Int'l: 248.299.5800
Fax: 248.299.9001

Customer Code: