

Gloss N' GO

EXPRESS
POLISHING
TUNNEL



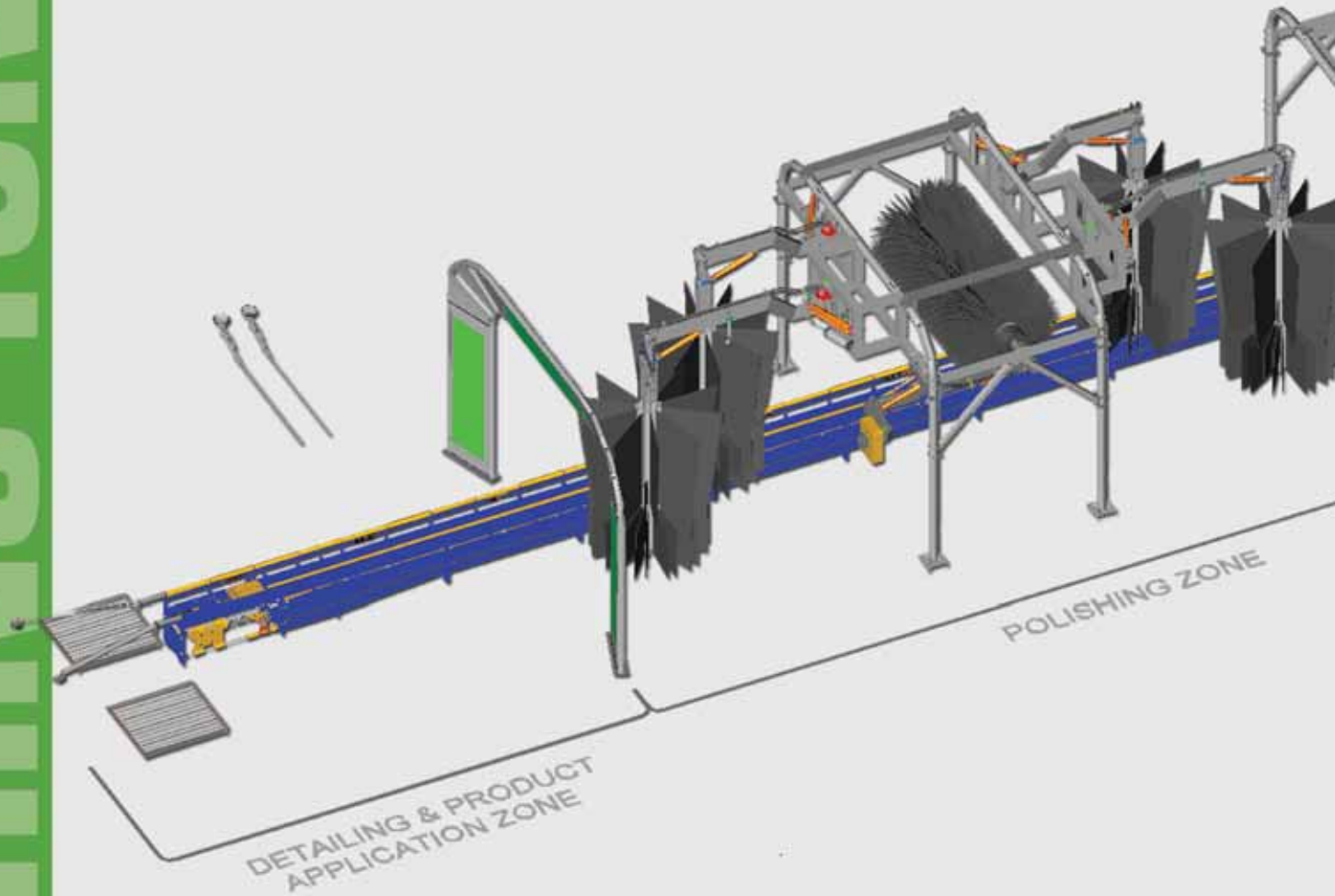
POLISH



PECO
CARWASH SYSTEMS

A “TRULY INNOVATIVE” way customers and your bottom

This online conveyerized polishing tunnel promotes increased extra service throughput. More visual stimulation for your customers and enhances their perceived and realized value.



Product Application



Dual Wrap Polisher

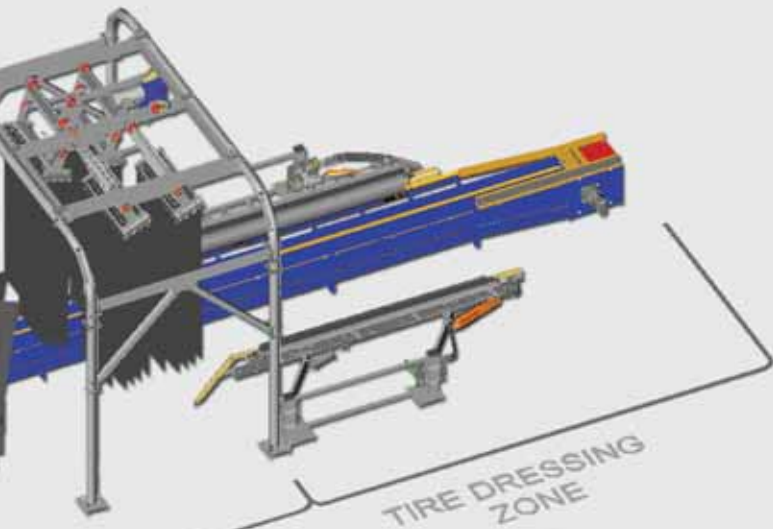


Top Pol



*to excite your
line!*

Moreover, it creates



TIRE DRESSING
ZONE



Mitter Polisher w/
Tire Brite Applicator

sher



EXPRESS POLISHING TUNNEL

A Complete Polishing System

Detailing & Product Application Zone:

- Specially formulated polish compound is hand applied with air atomizing spray gun

Polishing Zone:

- Specifically engineered polishing material gently delivers the finish to a showroom shine
- Wrap around and top polishing components completely cover all painted surfaces of the vehicle
- Mitter polisher adds a final touch and removes any residual polish

Tire Dressing Zone

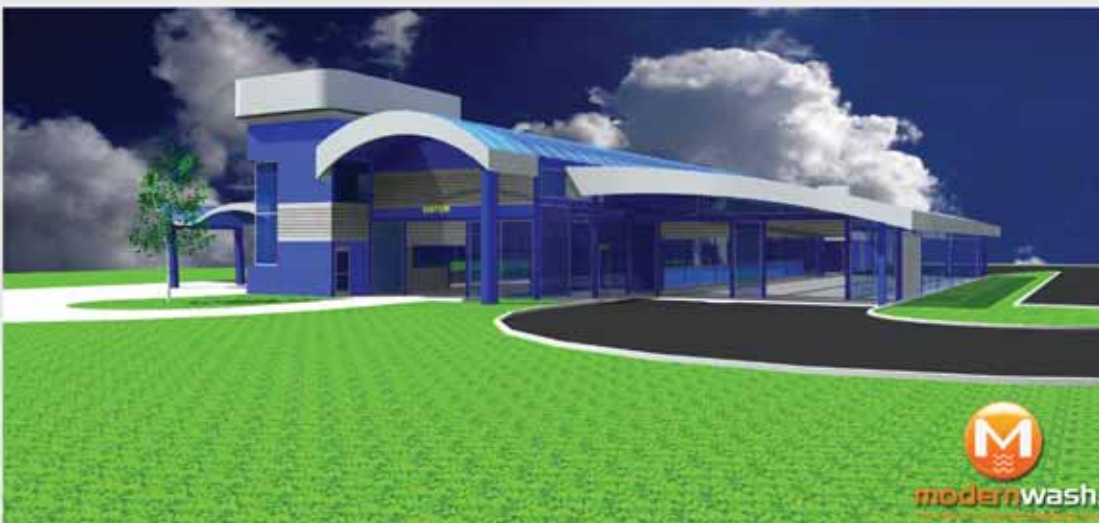
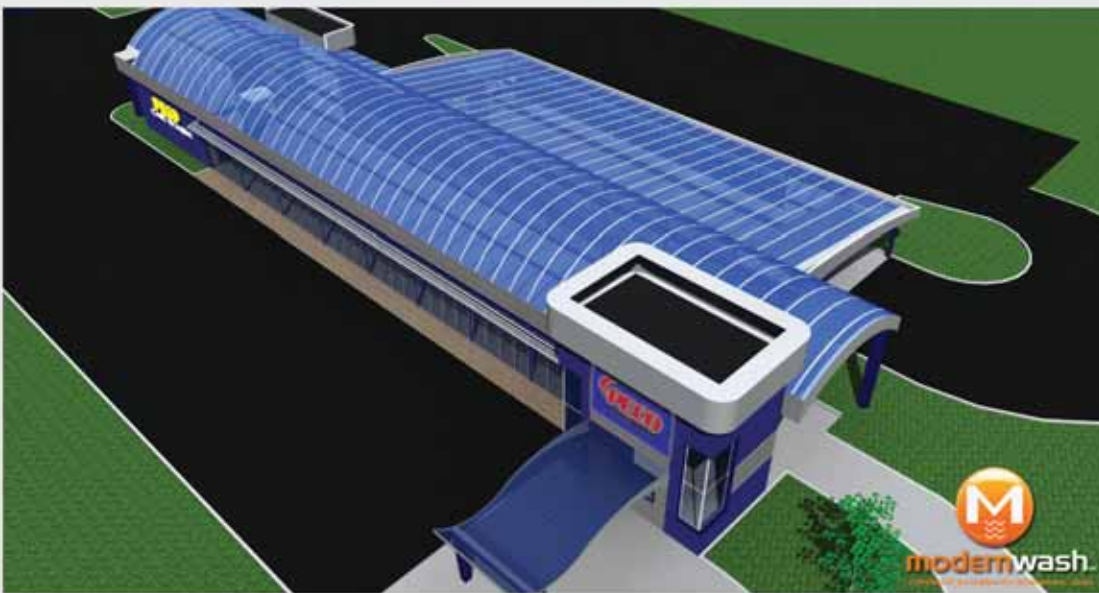
- An ideal condition for tire dressing, PECO's Tire Brite applicator works perfectly on tires that have had time to dry after the wash cycle and provides complete wheel coverage.



Gloss N' Go

EXPRESS POLISHING TUNNEL

Use your existing contractor or choose from one of PECO's building options.



*The Gloss N' Go
polish tunnel
will have your
customers saying*

**“SHINE MY
RIDE”**

**“30% of my
customers are
purchasing the
polish upgrade.”**

– Ger Loogman
Loogman Car Washes

**“My customers
leave happy and
pleased with
their experience.”**

– Mark de Graaf
Bob's Auto Wash

244 REX BOULEVARD
AUBURN HILLS, MI 48326
U.S.A

800.448.3946

248.299.5800

www.pecocarwash.com

